



Model Number

SD3-254TC-6-BR-E-7.5-460-60

MFG PN

T254T7.5U6B

List Price

--

All data shown at HIGH voltage setting

Format STD 3 Phase

Electrical Data

General Data

Rated Motor Output Power	7.5 HP	Frame Size	254
Rated Motor Speed	1175 r/min	Enclosure	TEFC
Rated Motor Voltage (3 Phase)	460-60 Volts - HZ	Approximate Weight	265.9
Rated Motor Current	10.3 Amps	NEMA Design	B
Service Factor	1.25	IP Rating	56
KVA Code	H	Insulation Class	F
Nominal Efficiency	91 %	Tropicalization	YES
Nominal Power Factor	0.75 cosθ	Duty	Cont.
Full Load Torque Ft-Lb	44.66 Ft-Lb	Cable Entry	1.25
Temp Rise @ Full Load °C	37.7	Feet Removable	YES
Efficiency Level	IE3 - NEMA Premium	Double Drilled	NO

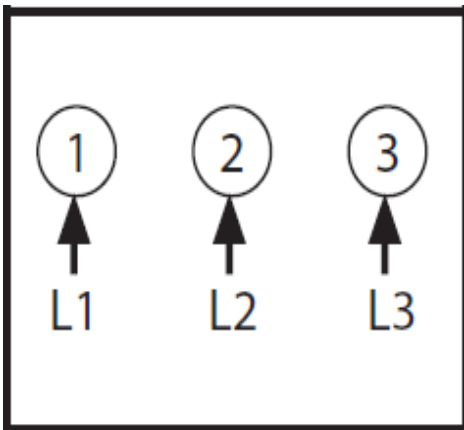
Load Data	RPM	Trq %FL	Current Amps		
Locked Rotor	-	184	67.71	Rated Ambient (°C)	40
Breakdown	-	288	-	Rated Altitude (M)	1000
Pull Up	-	141	-	Coating	7024 - Graphite Grey
125% of FL	1169	-	12.25	Shaft Grounding	YES
75% of FL	1184	-	8.18	Brake Voltage (DC)	--
50% of FL	1190	-	6.66	Brake Torque (N-M)	--
No Load	1199	-	5.22	Mechanical Data	

Hazardous Location	CL1 Div2 Grp A,B,C,D			Bearing DE Side	6309 C3
				Bearing NDE Side	6309 C3
				Moment of Inertia	-- kg.m2
				Noise Level	Per NEMA dB (A)

CT VFD Range	--	Loaded Torque Curves	--
P1 = INPUT POWER (KW), S = Slip (% of Sync RPM), η = Efficiency (%), cosφ = Power Factor			

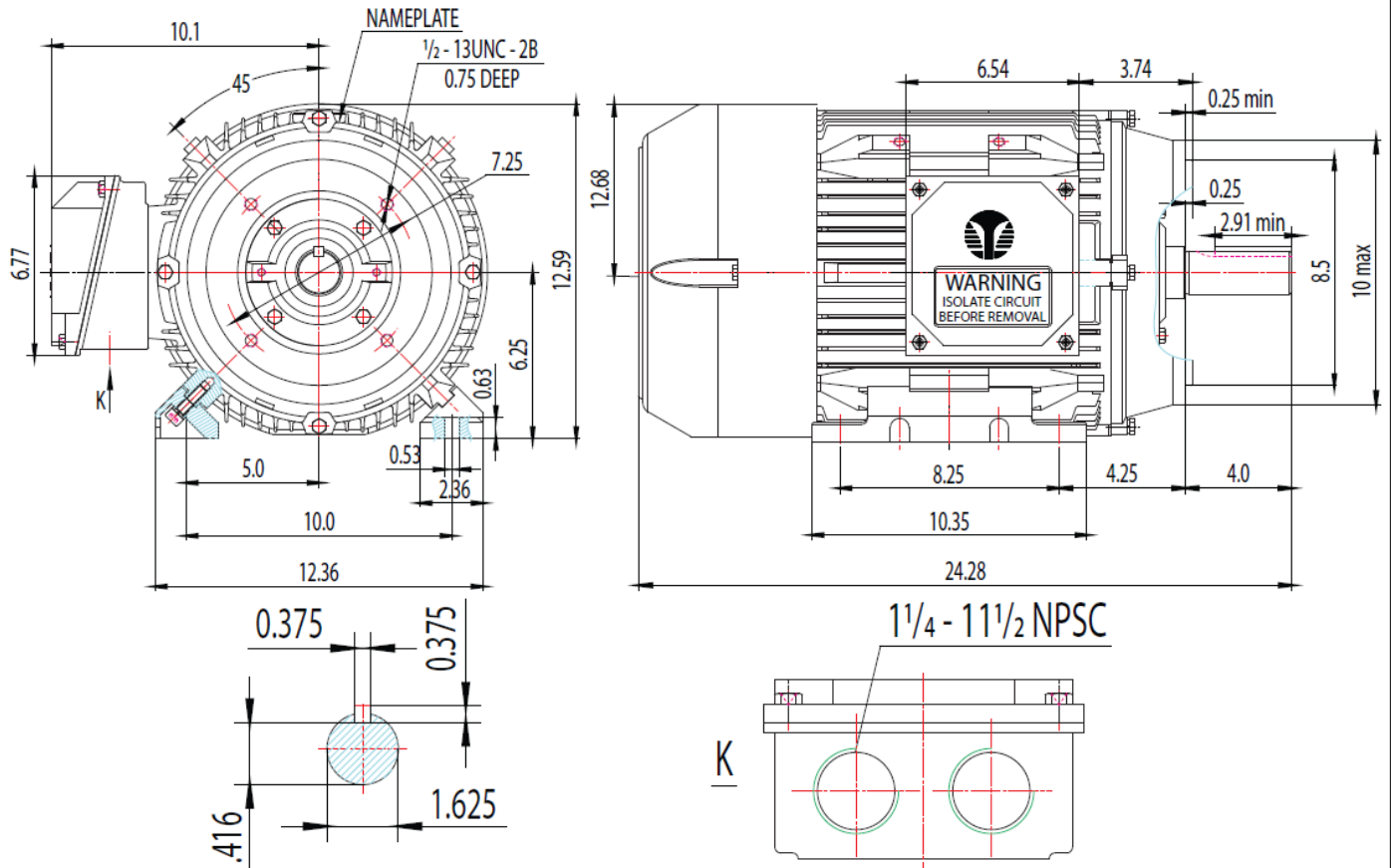
Certifications	UL	CSA	DOE
File Numbers	323353	224693	096A

Wiring Diagram 3PH Single Voltage SD3



File Unavailable
 Please contact Techttop Engineering to request this data
 numana@techttopind.com

FRAME: 254TC | HP: | RPM: | PHASE: 3 | VOLT: 208 - 230/460V | ENCL: TEFC | FREQ: 60 Hz | FLA: | LRA:



TECHTOP
 MATERIAL:
 UNITS: INCH | BY: SSEE
 DRAWN: 6/26/2018
 WWW.TECHTOP.COM

MODEL NUMBER:	REV.	BY	DATE	CHANGES
GR3-CI-TF-254TC	1			
	2			
MFG PN:	3			
	4			
	5			
	6			
	7			