



Model Number SD3-254TC-2-BR-E-15-460-60

MFG PN T254T15U2B

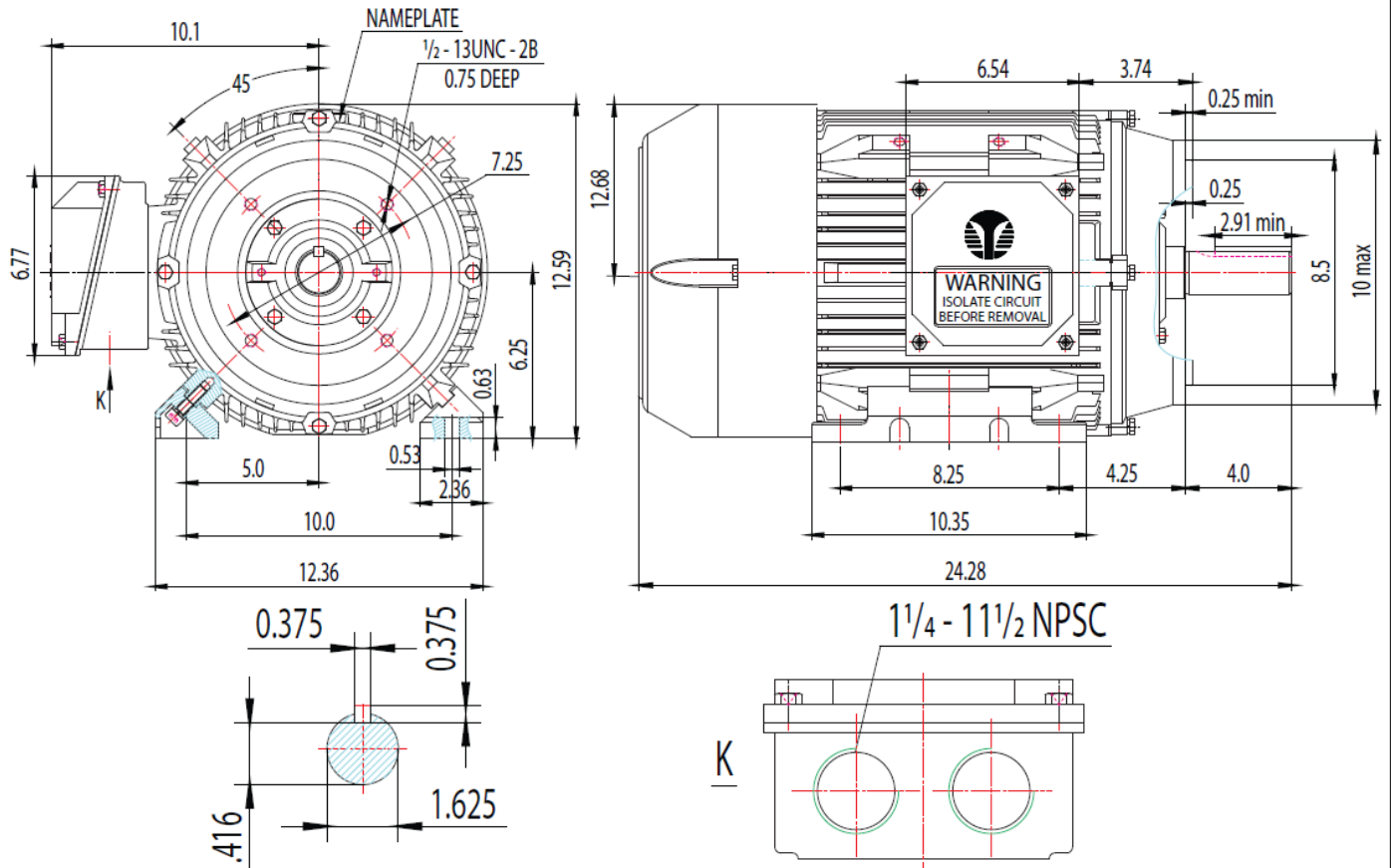
List Price --

All data shown at HIGH voltage setting

Format STD 3 Phase

Electrical Data				General Data	
Rated Motor Output Power	15 HP			Frame Size	254
Rated Motor Speed	3530 r/min			Enclosure	TEFC
Rated Motor Voltage (3 Phase)	460-60 Volts - HZ			Approximate Weight	262.2
Rated Motor Current	16.8 Amps			NEMA Design	B
Service Factor	1.25			IP Rating	56
KVA Code	G			Insulation Class	F
Nominal Efficiency	91 %			Tropicalization	YES
Nominal Power Factor	0.92 cosθ			Duty	Cont.
Full Load Torque Ft-Lb	29.48 Ft-Lb			Cable Entry	1.25
Temp Rise @ Full Load °C	39.8			Feet Removable	YES
Efficiency Level	IE3 - NEMA Premium			Double Drilled	NO
Load Data	RPM	Trq %FL	Current Amps	Rated Ambient (°C)	40
Locked Rotor	-	213	112.3	Rated Altitude (M)	1000
Breakdown	-	263	-	Coating	7024 - Graphite Grey
Pull Up	-	116	-	Shaft Grounding	YES
125% of FL	3530	-	20.83	Brake Voltage (DC)	--
75% of FL	3562	-	9.01	Brake Torque (N-M)	--
50% of FL	3576	-	8.61	Mechanical Data	
No Load	3595	-	3.34	Bearing DE Side	6309 C3
Hazardous Location	CL1 Div2 Grp A,B,C,D			Bearing NDE Side	6309 C3
				Moment of Inertia	-- kg.m2
				Noise Level	Per NEMA dB (A)
CT VFD Range		--		Loaded Torque Curves	
				P1 = INPUT POWER (KW), S = Slip (% of Sync RPM), η = Efficiency (%), cosφ = Power Factor	
Certifications	UL	CSA	DOE		
File Numbers	323353	224693	096A		
Wiring Diagram	3PH Single Voltage SD3				
<p>Techtot Industries -2815 Colonnades Court - Peachtree Corners, GA 30071 - Phone: (678) 436-5540</p>					

FRAME: 254TC | HP: | RPM: | PHASE: 3 | VOLT: 208 - 230/460V | ENCL: TEFC | FREQ: 60 Hz | FLA: | LRA:



TECHTOP
 MATERIAL:
 UNITS: INCH | BY: SSEE
 DRAWN: 6/26/2018
 WWW.TECHTOP.COM

MODEL NUMBER:	REV.	BY	DATE	CHANGES
GR3-CI-TF-254TC	1			
	2			
MFG PN:	3			
	4			
	5			
	6			
	7			