



Model Number

SD3-254T-6-BR-E-7.5-460-60

MFG PN

T254T7.5U6B

List Price

--

All data shown at HIGH voltage setting

Format | STD 3 Phase

Electrical Data

General Data

Rated Motor Output Power	7.5 HP	Frame Size	254
Rated Motor Speed	1175 r/min	Enclosure	TEFC
Rated Motor Voltage (3 Phase)	460-60 Volts - HZ	Approximate Weight	256.3
Rated Motor Current	10.3 Amps	NEMA Design	B
Service Factor	1.25	IP Rating	56
KVA Code	H	Insulation Class	F
Nominal Efficiency	91 %	Tropicalization	YES
Nominal Power Factor	0.75 cosθ	Duty	Cont.
Full Load Torque Ft-Lb	44.66 Ft-Lb	Cable Entry	1.25
Temp Rise @ Full Load °C	37.7	Feet Removable	YES
Efficiency Level	IE3 - NEMA Premium	Double Drilled	NO

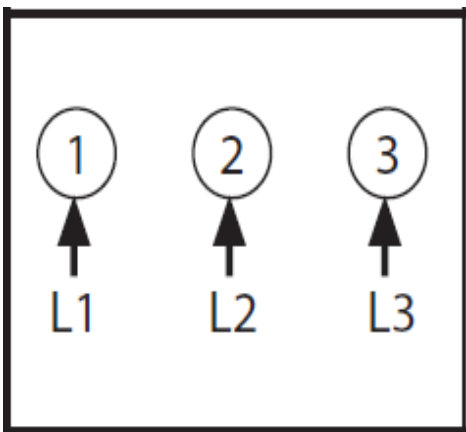
Load Data	RPM	Trq %FL	Current Amps		
Locked Rotor	-	184	67.71	Rated Ambient (°C)	40
Breakdown	-	288	-	Rated Altitude (M)	1000
Pull Up	-	141	-	Coating	7024 - Graphite Grey
125% of FL	1169	-	12.25	Shaft Grounding	YES
75% of FL	1184	-	8.18	Brake Voltage (DC)	--
50% of FL	1190	-	6.66	Brake Torque (N-M)	--
No Load	1199	-	5.22	Mechanical Data	

Hazardous Location	CL1 Div2 Grp A,B,C,D			Bearing DE Side	6309 C3
				Bearing NDE Side	6309 C3
				Moment of Inertia	-- kg.m2
				Noise Level	Per NEMA dB (A)

CT VFD Range	--	Loaded Torque Curves	--
P1 = INPUT POWER (KW), S = Slip (% of Sync RPM), η = Efficiency (%), cosφ = Power Factor			

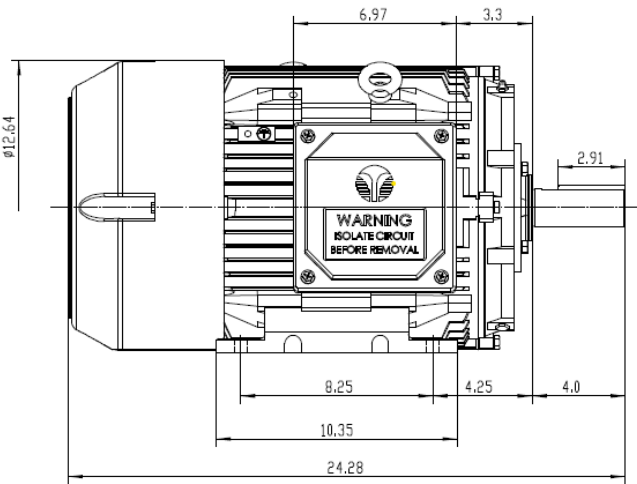
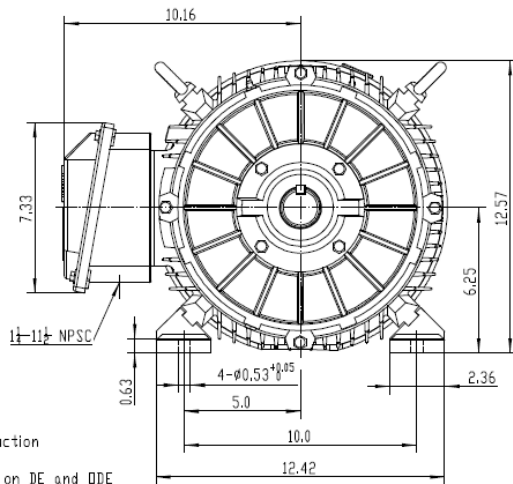
Certifications	UL	CSA	DOE
File Numbers	323353	224693	096A

Wiring Diagram 3PH Single Voltage SD3



File Unavailable
 Please contact Techttop Engineering to request this data
 numana@techttopind.com

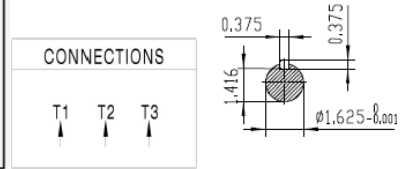
Model Number	SD3-254T-6-BR-E-7.5-460-60
MFG PN	T254T7.5U6B
List Price	--
Base Frame	SD-254T-CI-TF



NOTES:

- All Cast Iron Construction
- Design B
- IP55 Labyrinth seals on DE and DDE
- H Class Insulation System
- Max Winding Temperature rise 80°C
- Max bearing temperature rise 45°C for 4 pole and 50°C for 2 pole motors when direct coupled.
- Regreaseable bearings
- External Grounding provisions
- Maximum foot flatness deviation .127 mm
- Conductive Polymer Cooling Fan
- Diagonally Split Conduit Box rotatable in 90° Increments
- Lead seals in conduit box
- Maximum no load sound power 85 dBA(2 pole),
Maximum no load sound power 70 dBA(4 pole),
Maximum no load sound power 64 dBA(6 pole).
- No Load Motor Vibration not to exceed
a. Radial 60HZ - 2.03mm/s (2,4 pole) and 1.52mm/s (6 pole)
b. Axial 60HZ - 1.52mm/s
- 300 series Stainless Steel hardware
- Epoxy Coating meeting ASTM B117-97 for 96 h
- All Internal surfaces coated with anti-corrosion coating.
- Internal Shaft Grounding brush installed on drive end.
- No Load test report Included with motor

TECHTOP IEEE 841 SEVERE DUTY ELECTRIC MOTOR	
MODEL SD3-254T-6-BR-E-7.5	TECHTOP.COM T 254T7.5U6B
NEMA HP 7.5	50 Hz 7.5
RPM 1175	965
VOLT(3Ø) 460	3Ø 3Ø
FLA 10.3	12.0
SF 1.25	1
KVA CODE H	F
NOMLEFF 0.910	
ARC ARRESTOR	INS CL H
DE 6300-CI	AMB 40 °C
CODE 6300-CI	WEIGHT 283.9 lbs
VFD 15-1 CT-1.0 SF	224693
MADE IN CHINA	



 ShangHai HIMAK Electrical Machinery CO., LTD		NEMA TEFC 254T-7.5HP-6P	
		IEEE-841 UNITS:INCH	
Design	Standard	NO:	CY255.A20.003
Checker	Allow	STEP MARK	1:4 SORT Cast iron Motor
Auditing	Date		