



Model Number

SD3-254T-4-BR-E-15-460-60

MFG PN

T254T15U4B

List Price

--

All data shown at HIGH voltage setting

Format STD 3 Phase

Electrical Data

General Data

Rated Motor Output Power	15 HP	Frame Size	254
Rated Motor Speed	1770 r/min	Enclosure	TEFC
Rated Motor Voltage (3 Phase)	460-60 Volts - HZ	Approximate Weight	265.3
Rated Motor Current	17.3 Amps	NEMA Design	B
Service Factor	1.25	IP Rating	56
KVA Code	G	Insulation Class	F
Nominal Efficiency	92.4 %	Tropicalization	YES
Nominal Power Factor	0.88 cosθ	Duty	Cont.
Full Load Torque Ft-Lb	59.3 Ft-Lb	Cable Entry	1.25
Temp Rise @ Full Load °C	31.9	Feet Removable	YES
Efficiency Level	IE3 - NEMA Premium	Double Drilled	NO

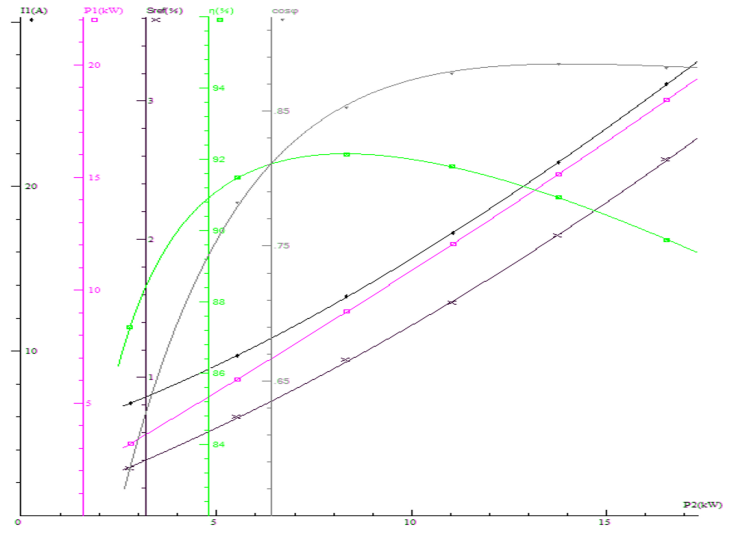
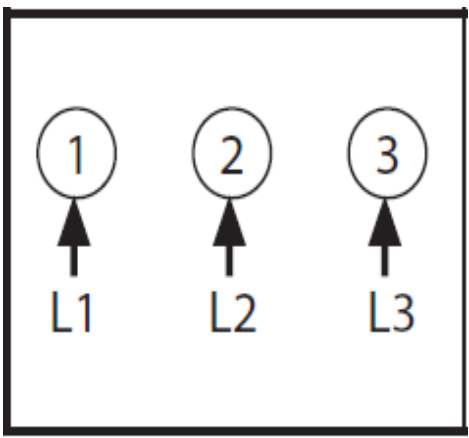
Load Data	RPM	Trq %FL	Current Amps	Rated Ambient (°C)	40
Locked Rotor	-	187	114.5	Rated Altitude (M)	1000
Breakdown	-	263	-	Coating	7024 - Graphite Grey
Pull Up	-	119	-	Shaft Grounding	YES
125% of FL	1763	-	21.44	Brake Voltage (DC)	--
75% of FL	1780	-	13.16	Brake Torque (N-M)	--
50% of FL	9.7	-	--	Mechanical Data	
No Load	1796	-	5.51	Bearing DE Side	6309 C3

Hazardous Location	CL1 Div2 Grp A,B,C,D			Bearing NDE Side	6309 C3
				Moment of Inertia	-- kg.m2
				Noise Level	Per NEMA dB (A)

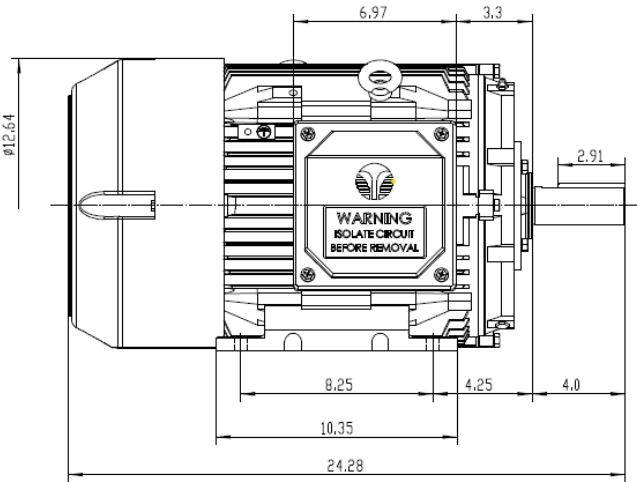
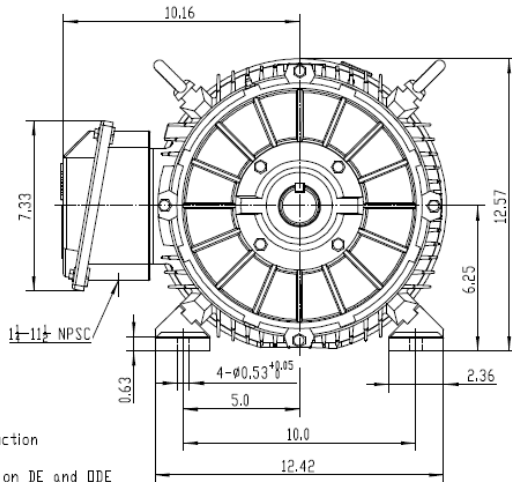
CT VFD Range	--	Loaded Torque Curves		--
$P_1 = \text{INPUT POWER (KW)}$, $S = \text{Slip (\% of Sync RPM)}$, $\eta = \text{Efficiency (\%)}$, $\cos\phi = \text{Power Factor}$				

Certifications	UL	CSA	DOE
File Numbers	323353	224693	096A

Wiring Diagram 3PH Single Voltage SD3



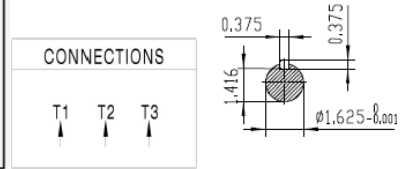
Model Number	SD3-254T-4-BR-E-15-460-60
MFG PN	T254T15U4B
List Price	--
Base Frame	SD-254T-CI-TF



NOTES:

- All Cast Iron Construction
- Design B
- IP55 Labyrinth seals on DE and DDE
- H Class Insulation System
- Max Winding Temperature rise 80°C
- Max bearing temperature rise 45°C for 4 pole and 50°C for 2 pole motors when direct coupled.
- Regreaseable bearings
- External Grounding provisions
- Maximum foot flatness deviation .127 mm
- Conductive Polymer Cooling Fan
- Diagonally Split Conduit Box rotatable in 90° Increments
- Lead seals in conduit box
- Maximum no load sound power 85 dBA(2 pole),
Maximum no load sound power 70 dBA(4 pole),
Maximum no load sound power 64 dBA(6 pole).
- No Load Motor Vibration not to exceed
a.Radial 60HZ - 2.03mm/s (2,4 pole) and 1.52mm/s (6 pole)
b.Axial 60HZ - 1.52mm/s
- 300 series Stainless Steel hardware
- Epoxy Coating meeting ASTM B117-97 for 96 h
- All Internal surfaces coated with anti-corrosion coating.
- Internal Shaft Grounding brush installed on drive end.
- No Load test report Included with motor

TECHTOP IEEE 841 SEVERE DUTY ELECTRIC MOTOR	
MODEL: SD3-254T-6-BR-E-7.5	TECHTOP.COM
NEMA HP: 7.5	MFG PN: T 254T7.5U6B
RPM: 1175	SER #: 1603102022
VOLT(3Ø): 480	DATE: 0688002
FLA: 10.3	DESIGN: B
SF: 1.25	FRAME: 254T
KVA CODE: H	ENCL: TEFC
NOMLEFF: 0.910	IP: 55
ARC ARRESTOR CODE: 0300-CI	DUTY: Cont.
VFD 15-1 CT-1.0 SF	INS CL: H
	AMB: 40 °C
	WEIGHT: 283.9 lbs
	224493
	MADE IN CHINA



 ShangHai HIMAK Electrical Machinery CO., LTD		NEMA TEFC 254T-7.5HP-6P	
		IEEE-841 UNITS:INCH	
Design	Standard	NO:	CY255.A20.003
Checker	Allow	STEP MARK	1:4 SORT Cast iron Motor
Auditing	Date		