



Model Number

SD3-215T-6-BR-E-5-460-60

MFG PN

T215T5U6B

List Price

--

All data shown at HIGH voltage setting

Format STD 3 Phase

**Electrical Data**

**General Data**

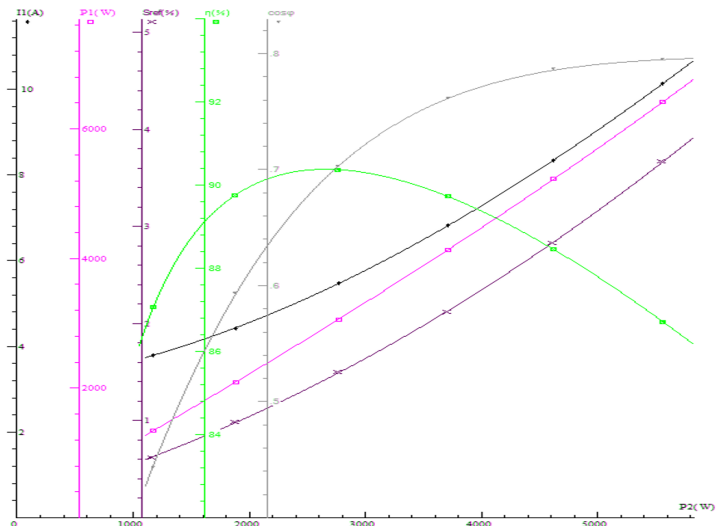
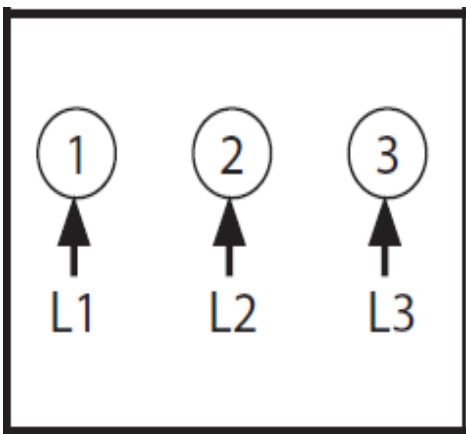
Rated Motor Output Power	5 HP	Frame Size	215
Rated Motor Speed	1175 r/min	Enclosure	TEFC
Rated Motor Voltage (3 Phase)	460-60 Volts - HZ	Approximate Weight	166.9
Rated Motor Current	6.9 Amps	NEMA Design	B
Service Factor	1.25	IP Rating	56
KVA Code	J	Insulation Class	F
Nominal Efficiency	89.5 %	Tropicalization	YES
Nominal Power Factor	0.76 cosθ	Duty	Cont.
Full Load Torque Ft-Lb	30.15 Ft-Lb	Cable Entry	1.25
Temp Rise @ Full Load °C	33.3	Feet Removable	YES
Efficiency Level	IE3 - NEMA Premium	Double Drilled	NO

Load Data	RPM	Trq %FL	Current Amps	Rated Ambient (°C)	40
Locked Rotor	-	209	45.71	Rated Altitude (M)	1000
Breakdown	-	251	-	Coating	7024 - Graphite Grey
Pull Up	-	125	-	Shaft Grounding	YES
125% of FL	1166	-	8.35	Brake Voltage (DC)	--
75% of FL	1182	-	5.47	Brake Torque (N-M)	--
50% of FL	1188	-	4.4	<b>Mechanical Data</b>	
No Load	--	-	3.33	Bearing DE Side	6308ZZ

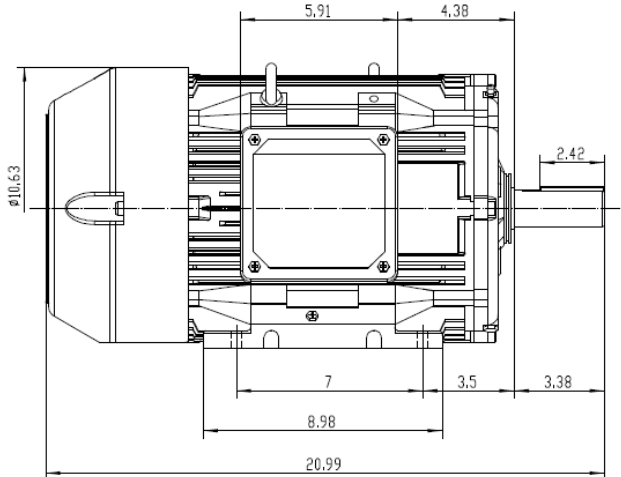
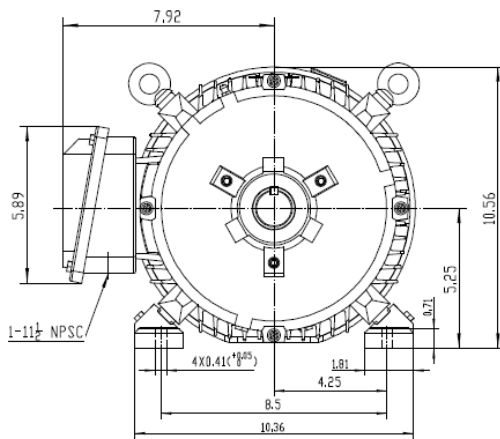
Hazardous Location	CL1 Div2 Grp A,B,C,D			Moment of Inertia	-- kg.m2	
				Noise Level	Per NEMA dB (A)	
				Loaded Torque Curves		--
				$P1 = \text{INPUT POWER (KW)}$ , $S = \text{Slip (\% of Sync RPM)}$ , $\eta = \text{Efficiency (\%)}$ , $\cos\phi = \text{Power Factor}$		

CT VFD Range	--		
Certifications	UL	CSA	DOE
File Numbers	323353	224693	096A

Wiring Diagram	3PH Single Voltage SD3
----------------	------------------------



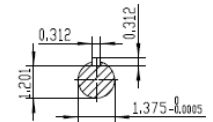
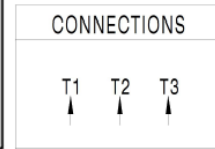
Model Number	SD3-215T-6-BR-E-5-460-60
MFG PN	T215T5U6B
List Price	--
Base Frame	SD-215T-CI-TF



**NOTES:**

1. All Cast Iron Construction
2. Design B
3. IP55 Labyrinth seals on DE and DDE
4. H Class Insulation System
5. Max Winding Temperature rise 80°C
6. Max bearing temperature rise 45°C for 4 pole and 50°C for 2 pole motors when direct coupled.
7. Regreasable bearings
8. External Grounding provisions
9. Maximum foot flatness deviation .127 mm
10. Conductive Polymer Cooling Fan
11. Diagonally Split Conduit Box rotatable in 90° Increments
12. Lead seals in conduit box
13. Maximum no load sound power 85 dBA(2 pole), Maximum no load sound power 70 dBA(4 pole), Maximum no load sound power 64 dBA(6 pole).
14. No Load Motor Vibration not to exceed  
 a. Radial 60HZ - 2.03mm/s (2,4 pole) and 1.52mm/s (6 pole)  
 b. Axial 60HZ - 1.52mm/s
15. 300 series Stainless Steel hardware
16. Epoxy Coating meeting ASTM B117-97 for 96 h
17. All internal surfaces coated with anti-corrosion coating.
18. Internal Shaft Grounding brush installed on drive end.
19. No Load test report Included with motor

<b>TECHTOP</b>		<b>IEEE 841</b>		<b>SEVERE DUTY</b>	
				<b>ELECTRIC MOTOR</b>	
MODEL   SD3-215T-6-BR-E-5				TECHTOP.COM	
NEMA 5		60 Hz		MFG PN T 215T5U6B	
RPM 1175		50 Hz		SER # 1603102019	
VOLT(3Ø) 460		965		DATE 0688002	
FLA 6.9		380		DESIGN B	
SF 1.25		8.2		FRAME 215T	
KVA CODE J		G		ENCL TEFC	
NOM.EFF 0.895				IP 55	
				DUTY Cont.	
				INS CL H	
				AMB 40 °C	
				WEIGHT 181.8 lbs	
				Energy 234693	
				MADE IN CHINA	



 ShangHai HIMAK Electrical Machinery CO., LTD		NEMA TEFC 215T-5HP-6P IEEE-841 UNITS:INCH			
		NO:	CY254.A20.006		
Design	Standard	STEP MARK	1:3.5	SORT	Cast iron Motor
Checker	Allow				
Auditing	Date				