



Model Number SD3-213T-6-BR-E-3-460-60

MFG PN T213T3U6B

List Price --

All data shown at HIGH voltage setting

Format STD 3 Phase

Electrical Data		General Data	
Rated Motor Output Power	3 HP	Frame Size	213
Rated Motor Speed	1175 r/min	Enclosure	TEFC
Rated Motor Voltage (3 Phase)	460-60 Volts - HZ	Approximate Weight	146.7
Rated Motor Current	4.4 Amps	NEMA Design	B
Service Factor	1.25	IP Rating	56
KVA Code	K	Insulation Class	F
Nominal Efficiency	89.5 %	Tropicalization	YES
Nominal Power Factor	0.72 cosθ	Duty	Cont.
Full Load Torque Ft-Lb	17.82 Ft-Lb	Cable Entry	1.25
Temp Rise @ Full Load °C	22.4	Feet Removable	YES
Efficiency Level	IE3 - NEMA Premium	Double Drilled	NO

Load Data	RPM	Trq %FL	Current Amps	Mechanical Data	
Locked Rotor	-	228	29.92	Rated Ambient (°C)	40
Breakdown	-	299	-	Rated Altitude (M)	1000
Pull Up	-	143	-	Coating	7024 - Graphite Grey
125% of FL	1174	-	5.04	Shaft Grounding	YES
75% of FL	1185	-	3.54	Brake Voltage (DC)	--
50% of FL	1190	-	2.98	Brake Torque (N-M)	--
No Load	--	-	2.46		

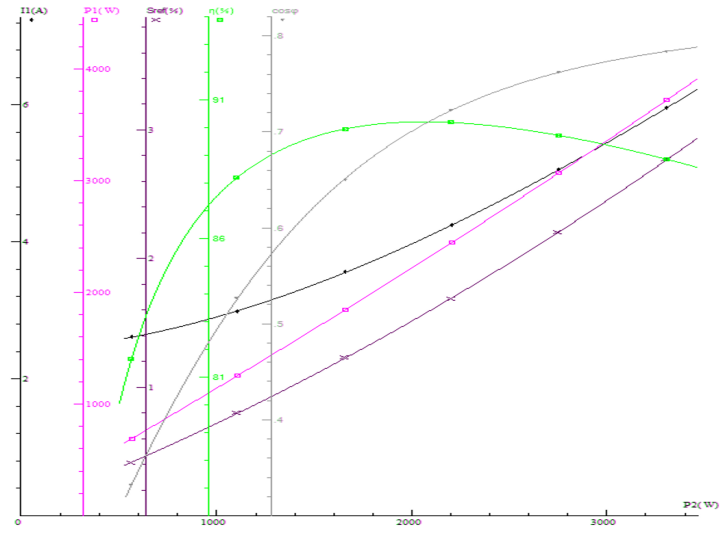
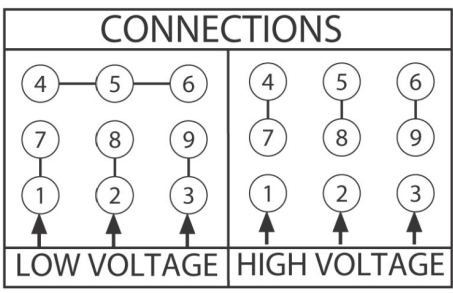
Hazardous Location	CL1 Div2 Grp A,B,C,D		Moment of Inertia	-- kg.m2
			Noise Level	Per NEMA dB (A)

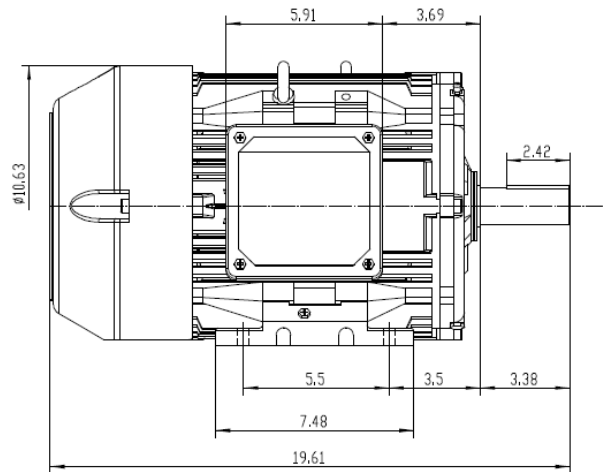
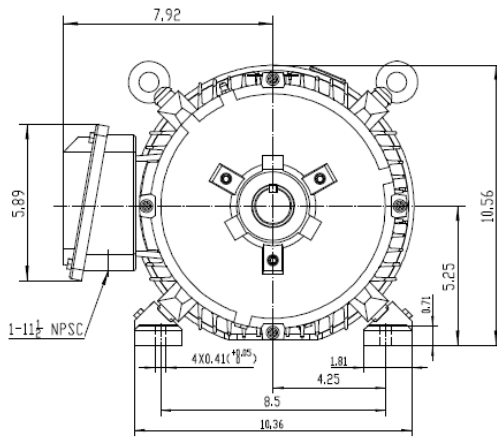
CT VFD Range	--	Loaded Torque Curves	
$P_1 = \text{INPUT POWER (KW)}$, $S = \text{Slip (\% of Sync RPM)}$, $\eta = \text{Efficiency (\%)}$, $\cos\phi = \text{Power Factor}$			

Certifications	UL	CSA	DOE
File Numbers	323353	224693	096A

Wiring Diagram 3PH 9 Lead Dual Voltage

3 Phase - YY/Y - 9 Lead
 4,1 Blue / 5,2 White / 6,3 Org / 7 Yl / 8 Blk / 9 RD
 Cast Iron- 1,2,3 Top - 4,5,6,7,8,9 Bottom
 Aluminum - 4,5,6,8,9 Top - 1,2,3,7 Bottom





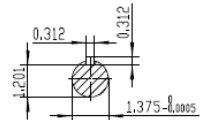
NOTES:

1. All Cast Iron Construction
2. Design B
3. IP55 Labyrinth seals on DE and DDE
4. H Class Insulation System
5. Max Winding Temperature rise 80°C
6. Max bearing temperature rise 45°C for 4 pole and 50°C for 2 pole motors when direct coupled.
7. Regreasable bearings
8. External Grounding provisions
9. Maximum foot flatness deviation .127 mm
10. Conductive Polymer Cooling Fan
11. Diagonally Split Conduit Box rotatable in 90° Increments
12. Lead seals in conduit box
13. Maximum no load sound power 85 dBA(2 pole), Maximum no load sound power 70 dBA(4 pole), Maximum no load sound power 64 dBA(6 pole).
14. No Load Motor Vibration not to exceed
 - a. Radial 60HZ - 2.03mm/s (2,4 pole) and 1.52mm/s (6 pole)
 - b. Axial 60HZ - 1.52mm/s
15. 300 series Stainless Steel hardware
16. Epoxy Coating meeting ASTM B117-97 for 96 h
17. All internal surfaces coated with anti-corrosion coating.
18. Internal Shaft Grounding brush installed on drive end.
19. No Load test report Included with motor

TECHTOP		IEEE 841		SEVERE DUTY ELECTRIC MOTOR	
MODEL	SD3-213T-6-BR-E-3	TECHTOP.COM	MFG PN	T 213T3U6B	
HP	3	3	SER #	1603102016	
RPM	1175	965	DATE	0588002	
VOLTS(3Ø)	460	380	DESIGN	B	
FLA	4.4	5.0	FRAME	213T	
SF	1.25	1	ENCL	TEFC	
KVA CODE	K	H	IP	55	
NOM EFF	0.895		DUTY	Cont.	
			INS CL	H	
			AMB	40 °C	
			WEIGHT	157.5 lbs	
				224693	
				MADE IN CHINA	

CONNECTIONS

T1 T2 T3



Shanghai HIMAK Electrical Machinery CO., LTD

NEMA TEFC 213T-3HP-6P
IEEE-841 UNITS:INCH

Design	Standard
Checker	Allow
Auditing	Date

NO:	CY254.A20.003
STEP MARK	1:3.5 SORT Cast iron Motor