



Model Number

SD3-182T-2-BR-E-3-460-60

MFG PN

T182T3U2B

List Price

--

All data shown at HIGH voltage setting

Format STD 3 Phase

**Electrical Data**

**General Data**

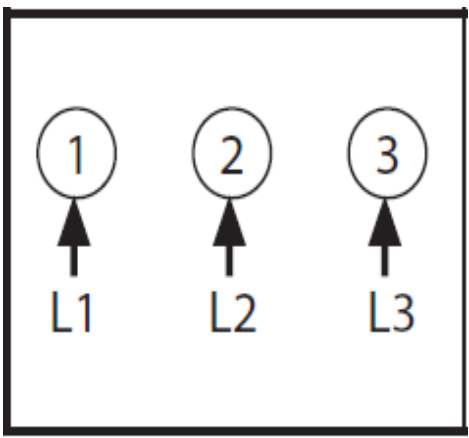
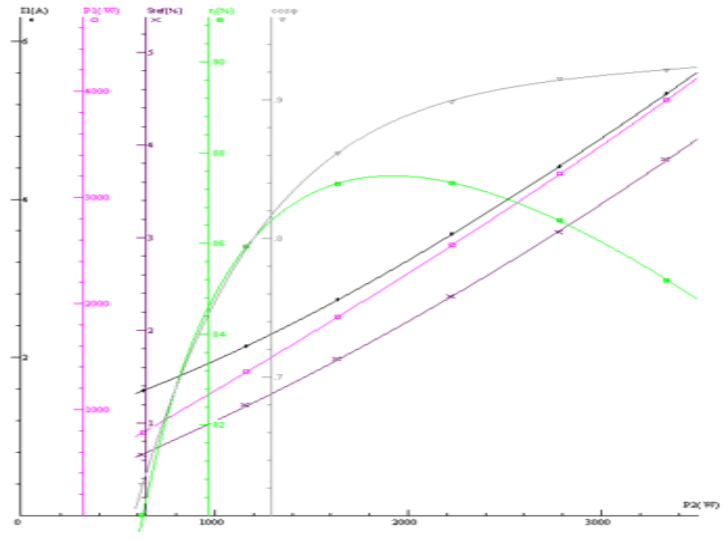
Rated Motor Output Power	3 HP	Frame Size	182
Rated Motor Speed	3510 r/min	Enclosure	TEFC
Rated Motor Voltage (3 Phase)	460-60 Volts - HZ	Approximate Weight	78.1
Rated Motor Current	3.6 Amps	NEMA Design	B
Service Factor	1.25	IP Rating	56
KVA Code	K	Insulation Class	F
Nominal Efficiency	86.5 %	Tropicalization	YES
Nominal Power Factor	0.9 cosθ	Duty	Cont.
Full Load Torque Ft-Lb	5.97 Ft-Lb	Cable Entry	1.25
Temp Rise @ Full Load °C	38.2	Feet Removable	YES
Efficiency Level	IE3 - NEMA Premium	Double Drilled	NO

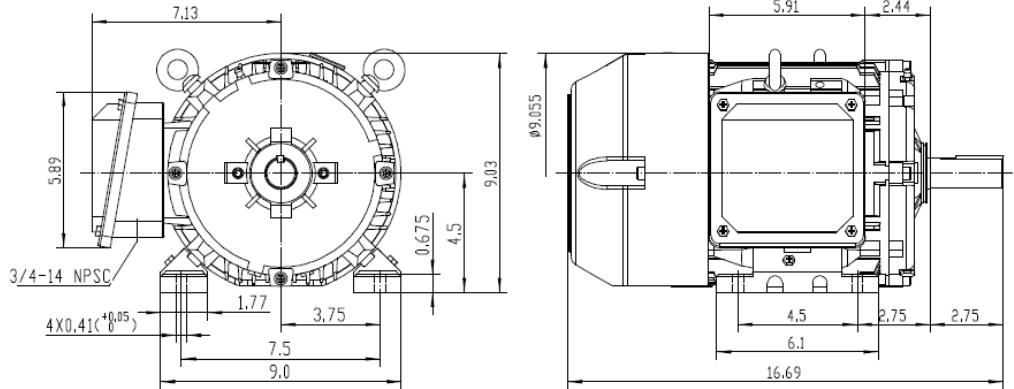
Load Data	RPM	Trq %FL	Current Amps	Rated Ambient (°C)	40
Locked Rotor	-	462	8.51	Rated Altitude (M)	1000
Breakdown	-	328	-	Coating	7024 - Graphite Grey
Pull Up	-	169	-	Shaft Grounding	YES
125% of FL	3491	-	4.36	Brake Voltage (DC)	--
75% of FL	3539	-	2.74	Brake Torque (N-M)	--
50% of FL	3560	-	2.67	<b>Mechanical Data</b>	
No Load	3559	-	1.25	Bearing DE Side	6306ZZ

Hazardous Location	CL1 Div2 Grp A,B,C,D			Bearing NDE Side	6306ZZ
				Moment of Inertia	-- kg.m2
				Noise Level	Per NEMA dB (A)

CT VFD Range	--	<b>Loaded Torque Curves</b>		--
$P1 = \text{INPUT POWER (KW)}$ , $S = \text{Slip (\% of Sync RPM)}$ , $\eta = \text{Efficiency (\%)}$ , $\cos\phi = \text{Power Factor}$				

Certifications	UL	CSA	DOE
File Numbers	323353	224693	096A
Wiring Diagram	3PH Single Voltage SD3		

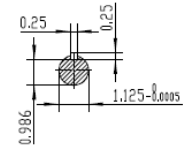
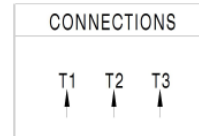




**NOTES:**

1. All Cast Iron Construction
2. Design B
3. IP55 Labyrinth seals on DE and DDE
4. H Class Insulation System
5. Max Winding Temperature rise 80°C
6. Max bearing temperature rise 45°C for 4 pole and 50°C for 2 pole motors when direct coupled.
7. Regreasable bearings
8. External Grounding provisions
9. Maximum foot flatness deviation .127 mm
10. Conductive Polymer Cooling Fan
11. Diagonally Split Conduit Box rotatable in 90° Increments
12. Lead seals in conduit box
13. Maximum no load sound power 85 dBA(2 pole),  
Maximum no load sound power 70 dBA(4 pole),  
Maximum no load sound power 64 dBA(6 pole).
14. No Load Motor Vibration not to exceed  
a. Radial 60HZ - 2.03mm/s (2,4 pole) and 1.52mm/s (6 pole)  
b. Axial 60HZ - 1.52mm/s
15. 300 series Stainless Steel hardware
16. Epoxy Coating meeting ASTM B117-97 for 96 h
17. All internal surfaces coated with anti-corrosion coating.
18. Internal Shaft Grounding brush installed on drive end.
19. No Load test report Included with motor

<b>TECHTOP</b>		<b>IEEE 841 SEVERE DUTY</b>		<b>ELECTRIC MOTOR</b>	
MODEL: SD3-182T-2-BR-E-1.5		MFG PN: T 182T1.5U60		TECHTOP.COM	
NEMA HP: 1.5 (60 Hz), 1.5 (50 Hz)		SER # 1603102010		DATE 09/04/02	
RPM: 1175 (60 Hz), 970 (50 Hz)		DESIGN B		ENCL TEFC	
VOLT(3Ø): 460 (60 Hz), 380 (50 Hz)		FRAME 182T		IP 55	
FLA: 2.4 (60 Hz), 2.7 (50 Hz)		ENCL TEFC		DUTY Cont.	
SF 1.25		INS CL H		AMB 40 °C	
KVA CODE L		WEIGHT 102.5 lbs		VFD 15:1 CT-1.0 SF	
NOM EFF 0.875		MADE IN CHINA			



 <b>ShangHai HIMAK Electrical Machinery CO., LTD</b>		NEMA TEFC 182T-1.5HP-6P	
		IEEE-841 UNITS:INCH	
Design	Standard	NO:	CY253.A20.003
Checker	Allow	STEP MARK	1:3.5 SORT Cast iron Motor
Auditing	Date		