



Model Number

SD3-145T-2-BR-E-2-460-60

MFG PN

T145T2U2B

List Price

--

All data shown at HIGH voltage setting

Format STD 3 Phase

Electrical Data

General Data

| | | | |
|-------------------------------|--------------------|--------------------|-------|
| Rated Motor Output Power | 2 HP | Frame Size | 145 |
| Rated Motor Speed | 3500 r/min | Enclosure | TEFC |
| Rated Motor Voltage (3 Phase) | 460-60 Volts - HZ | Approximate Weight | 48.4 |
| Rated Motor Current | 2.6 Amps | NEMA Design | B |
| Service Factor | 1.25 | IP Rating | 56 |
| KVA Code | L | Insulation Class | F |
| Nominal Efficiency | 85.5 % | Tropicalization | YES |
| Nominal Power Factor | 0.85 cosθ | Duty | Cont. |
| Full Load Torque Ft-Lb | 4.1 Ft-Lb | Cable Entry | 1.25 |
| Temp Rise @ Full Load °C | 47.4 | Feet Removable | YES |
| Efficiency Level | IE3 - NEMA Premium | Double Drilled | NO |

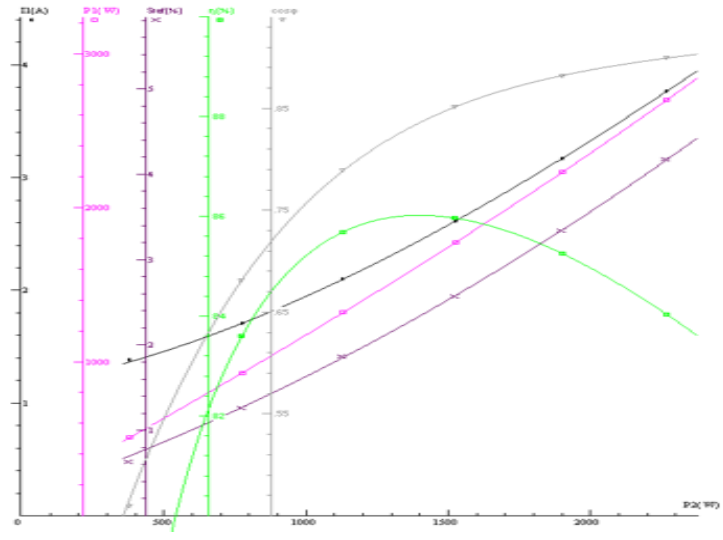
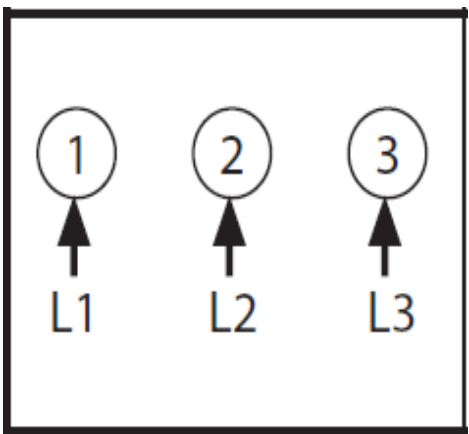
| Load Data | RPM | Trq %FL | Current Amps | Rated Ambient (°C) | 40 |
|--------------|------|---------|--------------|------------------------|----------------------|
| Locked Rotor | - | 283 | 9.15 | Rated Altitude (M) | 1000 |
| Breakdown | - | 362 | - | Coating | 7024 - Graphite Grey |
| Pull Up | - | 169 | - | Shaft Grounding | YES |
| 125% of FL | 3481 | - | 3.13 | Brake Voltage (DC) | -- |
| 75% of FL | 3534 | - | 2.09 | Brake Torque (N-M) | -- |
| 50% of FL | 3556 | - | 1.68 | Mechanical Data | |
| No Load | 3592 | - | 1.26 | Bearing DE Side | 6205ZZ |

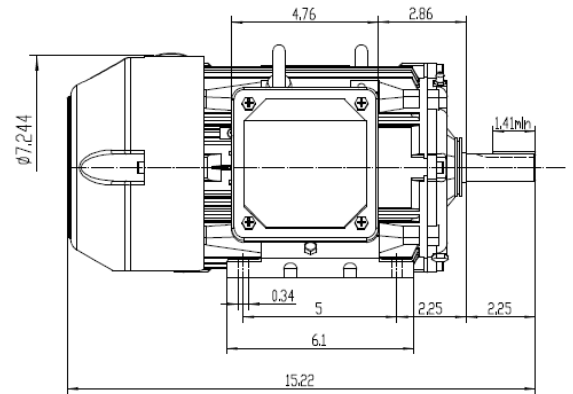
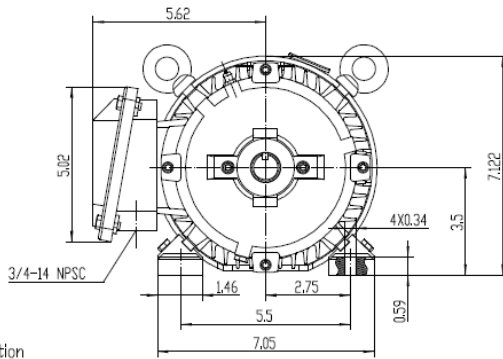
| | | | | | |
|--------------------|----------------------|--|--|-------------------|-----------------|
| Hazardous Location | CL1 Div2 Grp A,B,C,D | | | Bearing NDE Side | 6205ZZ |
| | | | | Moment of Inertia | -- kg.m2 |
| | | | | Noise Level | Per NEMA dB (A) |

| | | | | |
|--|----|-----------------------------|--|----|
| CT VFD Range | -- | Loaded Torque Curves | | -- |
| <p>P1 = INPUT POWER (KW), S = Slip (% of Sync RPM), η = Efficiency (%), cosφ = Power Factor</p> | | | | |

| | | | |
|----------------|--------|--------|------|
| Certifications | UL | CSA | DOE |
| File Numbers | 323353 | 224693 | 096A |

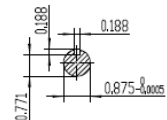
Wiring Diagram 3PH Single Voltage SD3





NOTES:

1. All Cast Iron Construction
2. Design B
3. IP55 Labyrinth seals on DE and ODE
4. H Class Insulation System
5. Max Winding Temperature rise 80°C
6. Max bearing temperature rise 45°C for 4 pole and 50°C for 2 pole motors when direct coupled.
7. Regreaseable bearings
8. External Grounding provisions
9. Maximum foot flatness deviation .127 mm
10. Conductive Polymer Cooling Fan
11. Diagonally Split Conduit Box rotatable in 90° Increments
12. Lead seals in conduit box
13. Maximum no load sound power 85 dBA(2 pole),
Maximum no load sound power 70 dBA(4 pole),
Maximum no load sound power 64 dBA(6 pole).
14. No Load Motor Vibration not to exceed
a.Radial 60HZ - 2.03mm/s (2,4 pole) and 1.52mm/s (6 pole)
b.Axial 60HZ - 1.52mm/s
15. 300 series Stainless Steel hardware
16. Epoxy Coating meeting ASTM B117-97 for 96 h
17. All internal surfaces coated with anti-corrosion coating.
18. Internal Shaft Grounding brush Installed on drive end.
19. No Load test report included with motor



| | | | | | |
|---------------------------|--|-----------------|-------------|-----------------------|--|
| TECHTOP | | IEEE 841 | | SEVERE DUTY | |
| | | | | ELECTRIC MOTOR | |
| MODEL SD3-145T-4-BR-E-1.5 | | | TECHTOP.COM | | |
| NEMA 1.5 | | 50 Hz 1410 | | MFG PN T 145T1.5U4B | |
| HP 1.5 | | RPM 1740 | | SER # 1603102005 | |
| VOLT(ØV) 460 | | FLA 2.2 | | DATE 0688002 | |
| SF 1.25 | | NOM EFF 0.865 | | DESIGN B | |
| KVA CODE L | | NOM EFF 0.865 | | FRAME 145T | |
| NOM EFF 0.865 | | NOM EFF 0.865 | | ENCL TEFC | |
| NOM EFF 0.865 | | NOM EFF 0.865 | | IP 55 | |
| NOM EFF 0.865 | | NOM EFF 0.865 | | DUTY Cont. | |
| NOM EFF 0.865 | | NOM EFF 0.865 | | INS CL H | |
| NOM EFF 0.865 | | NOM EFF 0.865 | | AMB 40 °C | |
| NOM EFF 0.865 | | NOM EFF 0.865 | | WEIGHT 58 lbs | |
| NOM EFF 0.865 | | NOM EFF 0.865 | | Energy Index 22483 | |
| NOM EFF 0.865 | | NOM EFF 0.865 | | MADE IN CHINA | |

CONNECTIONS



ShangHai HIMAK Electrical Machinery CO., LTD

NEMA TEFC 145T-1.5HP-4P
IEEE-841 UNITS:INCH

| | | | |
|----------|----------|-----------|--------------------------|
| Design | Standard | NO: | CY252.A20.005 |
| Checker | Allow | STEP MARK | 1:3 SORT Cast iron Motor |
| Auditing | Date | | |