



Model Number	RD1-RS-TF-56C-4-B-C-.5-115 230-60
MFG PN	SLF561/2Z4L
List Price	--

All data shown at HIGH voltage setting

Format | STD 1 Phase

Electrical Data		General Data	
Rated Motor Output Power	0.5 HP	Frame Size	56
Rated Motor Speed	1725 r/min	Enclosure	TEFC
Rated Motor Voltage (1 Phase)	115 230-60 Volts - HZ	Approximate Weight	35.86
Rated Motor Current	5.2/2.6 Amps	NEMA Design	L
Service Factor	1.15	IP Rating	55
KVA Code	K	Insulation Class	F
Nominal Efficiency	90 %	Tropicalization	YES
Nominal Power Factor	0.9 cosθ	Duty	Cont.
Full Load Torque Ft-Lb	2.02 Ft-Lb	Cable Entry	1.25
Temp Rise @ Full Load °C	33	Feet Removable	YES
Efficiency Level	IE3 - NEMA Premium	Double Drilled	NO

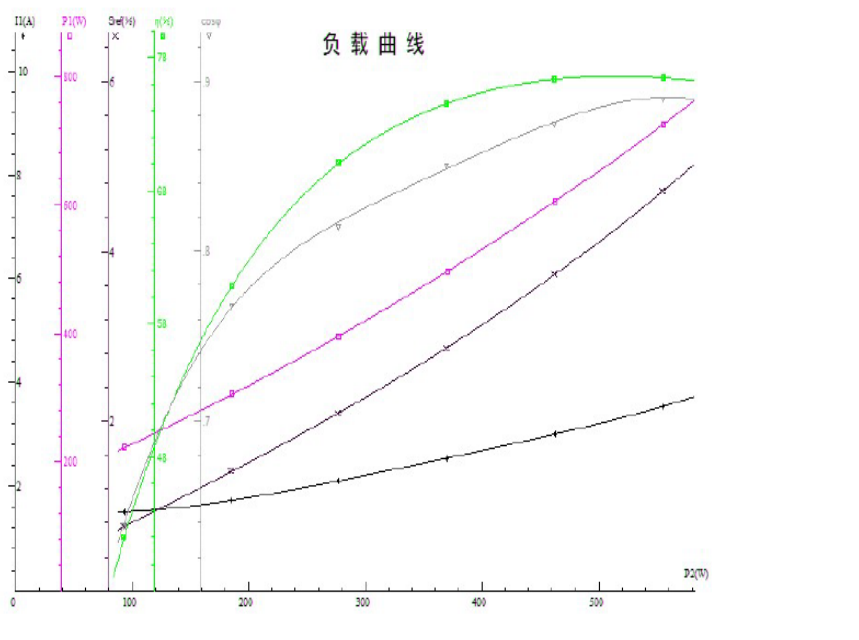
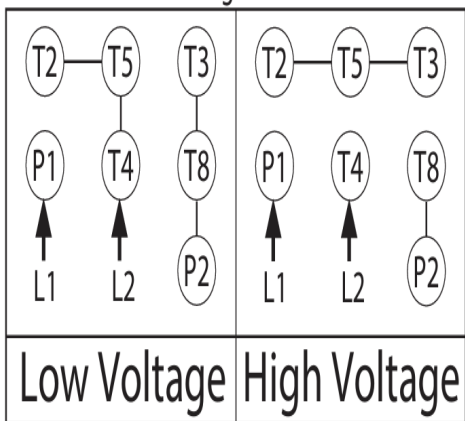
Load Data	RPM	Trq %FL	Current Amps	General Data	
Locked Rotor	-	271	18.47	Rated Ambient (°C)	40
Breakdown	-	340	-	Rated Altitude (M)	1000
Pull Up	-	247	-	Coating	7024 - Graphite Grey
125% of FL	1733	-	3	Start Capacitor (µF / V / Qty)	--
75% of FL	1762	-	2.1	Run Capacitor (µF / V / Qty)	--
50% of FL	1775	-	1.72	Centrifugal Switch Type	--
No Load	--	-	1.35	Mechanical Data	

Load Data		Mechanical Data	
Hazardous Location	CL/II Div2 Grp C,D/F,G	Bearing DE Side	6203 2RZ
		Bearing NDE Side	6202 2RZ
		Moment of Inertia	-- kg.m2
		Noise Level	Per NEMA dB (A)

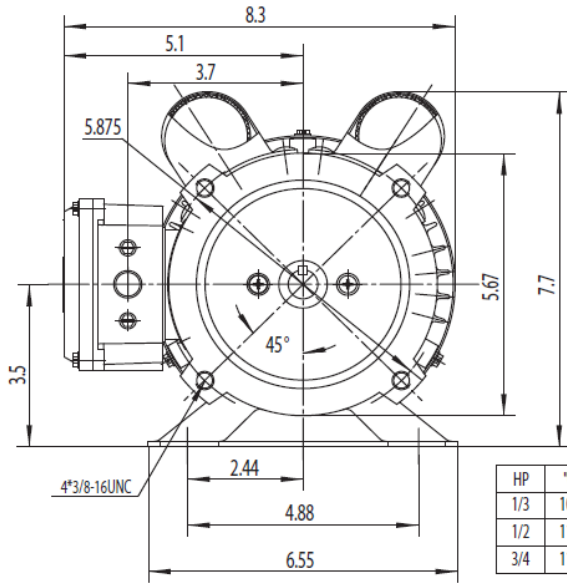
CT VFD Range	--	Loaded Torque Curves	--
		P1 = INPUT POWER (KW), S = Slip (% of Sync RPM), η = Efficiency (%), cosφ = Power Factor	

Certifications	UL	CSA	DOE
File Numbers	323353	224693	096A

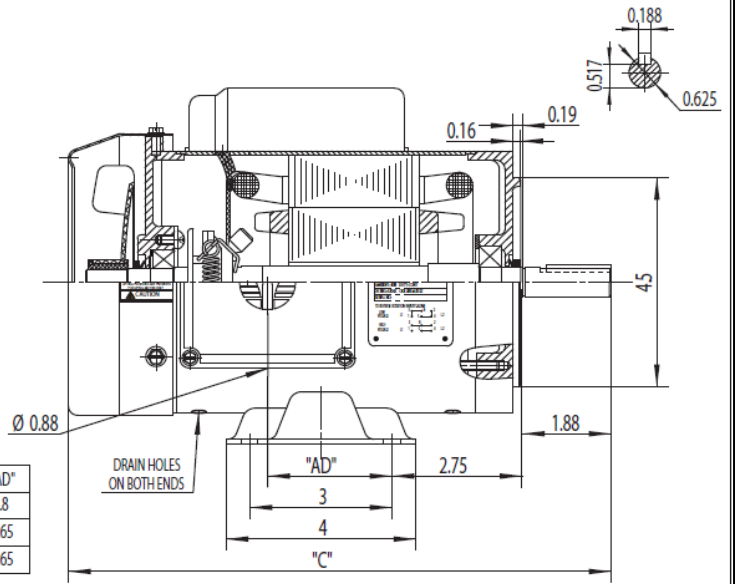
Wiring Diagram RD1-56-145-Frame-wiringDiagram




Model Number	RD1-RS-TF-56C-4-B-C-.5-115 230-60
MFG PN	SLF561/2Z4L
List Price	--
Base Frame	RD-56C-RS-TF



HP	"C"	"AD"
1/3	10.7	1.8
1/2	11.5	2.65
3/4	11.5	2.65



		NEMA TEFC 56C	
Drawing Number:	RD1-RS-TF-56C	Issued Date:	6/22/15
Dimensions:	Inches	TEFC - Red Line NEMA High Torque Farm Duty Series	
Mounting:	Rigid/C-Flange		
Casing Material:	Rolled Steel		