



Model Number RD1-RS-TF-145TC-4-B-C-2-115|230-60

MFG PN SLF145T2Z4L

List Price --

All data shown at HIGH voltage setting

Format STD 1 Phase

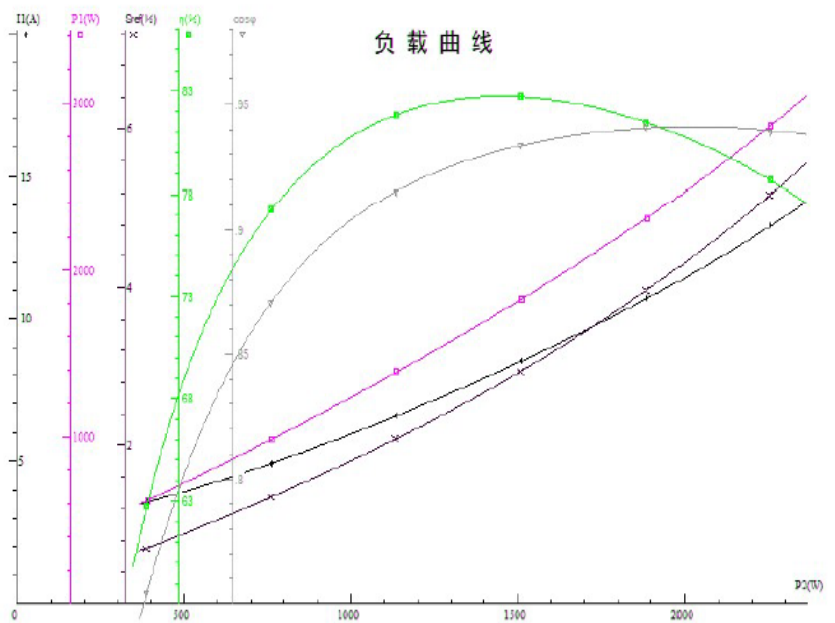
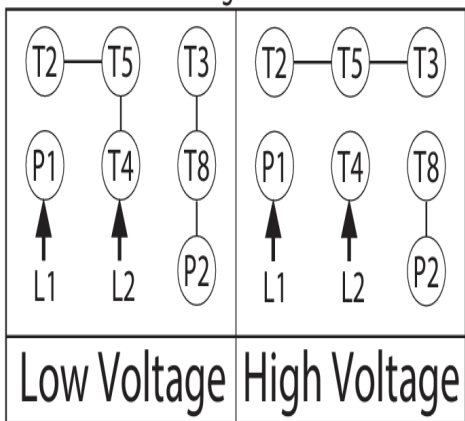
Electrical Data				General Data	
Rated Motor Output Power	2 HP			Frame Size	145
Rated Motor Speed	1740 r/min			Enclosure	TEFC
Rated Motor Voltage (1 Phase)	115 230-60 Volts - HZ			Approximate Weight	53.9
Rated Motor Current	17.3/8.65 Amps			NEMA Design	L
Service Factor	1.15			IP Rating	55
KVA Code	H			Insulation Class	F
Nominal Efficiency	0.815 %			Tropicalization	YES
Nominal Power Factor	0.92 cosθ			Duty	Cont.
Full Load Torque Ft-Lb	8.19 Ft-Lb			Cable Entry	1.25
Temp Rise @ Full Load °C	57.7			Feet Removable	YES
Efficiency Level	IE3 - NEMA Premium			Double Drilled	NO
Load Data	RPM	Trq %FL	Current Amps	Rated Ambient (°C)	40
Locked Rotor	-	233	57	Rated Altitude (M)	1000
Breakdown	-	282	-	Coating	7024 - Graphite Grey
Pull Up	-	180	-	Start Capacitor (µF / V / Qty)	500 µF / 165 V
125% of FL	1729.2	-	10.63	Run Capacitor (µF / V / Qty)	80 µF / 250 V
75% of FL	1763	-	6.53	Centrifugal Switch Type	--
50% of FL	1776	-	4.87	Mechanical Data	
No Load	--	-	2.87	Bearing DE Side	6205 2RZ
Hazardous Location	--			Bearing NDE Side	6203 2RZ
				Moment of Inertia	-- kg.m2
				Noise Level	Per NEMA dB (A)

Loaded Torque Curves

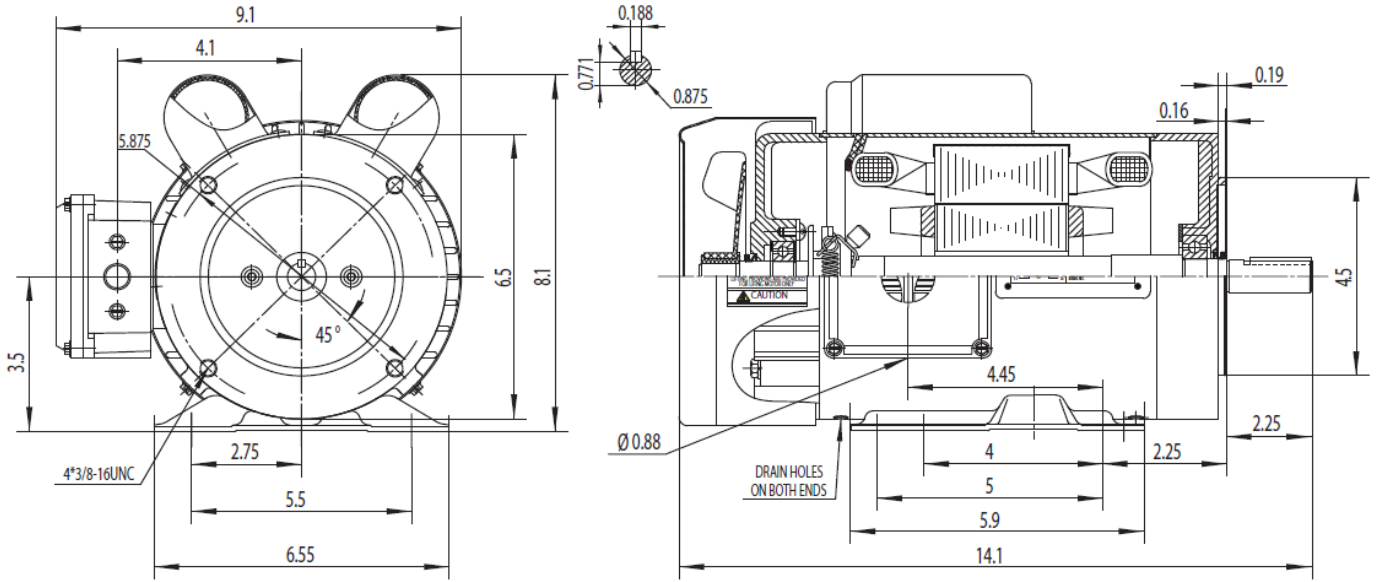
P1 = INPUT POWER (KW), S = Slip (% of Sync RPM), η = Efficiency (%), cosφ = Power Factor


Certifications	UL	CSA	DOE
File Numbers	323353	224693	096A

Wiring Diagram RD1-56-145-Frame-wiringDiagram



Model Number	RD1-RS-TF-145TC-4-B-C-2-115 230-60
MFG PN	SLF145T2Z4L
List Price	--
Base Frame	RD-145TC-RS-TF



		<b>NEMA TEFC 145TC</b>	
Drawing Number:	RD1-RS-TF-140TC	Issued Date:	6/22/15
Dimensions:	Inches	TEFC - Red Line NEMA High Torque Farm Duty Series	
Mounting:	Rigid/C-Flange		
Casing Material:	Rolled Steel		