



Model Number PC3-CI-TF-184T-4-B-D-5-230|460-60

MFG PN T184T5U4B

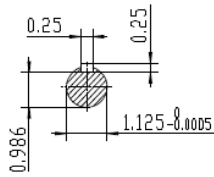
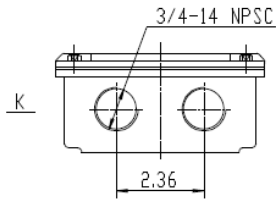
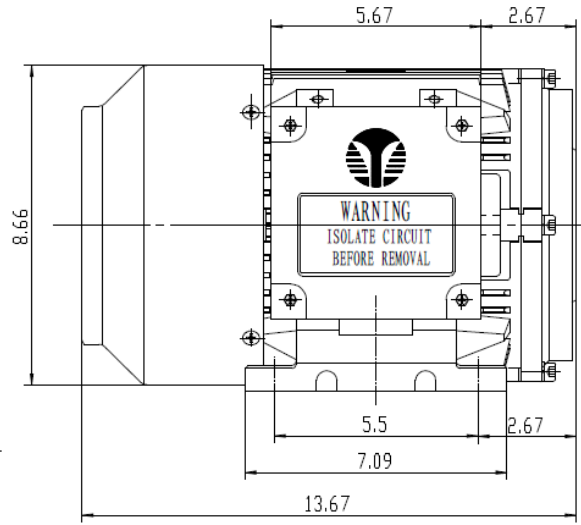
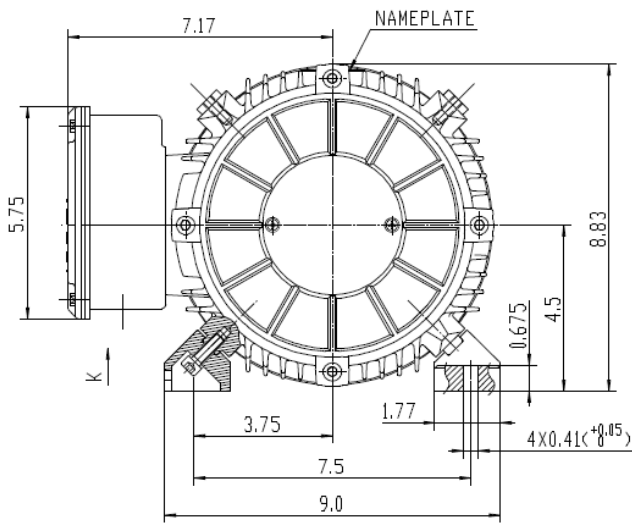
List Price --


All data shown at HIGH voltage setting

Format STD 3 Phase

Electrical Data				General Data	
Rated Motor Output Power	5 HP			Frame Size	184
Rated Motor Speed	1745 r/min			Enclosure	TEFC
Rated Motor Voltage (3 Phase)	230 460-60 Volts - HZ			Approximate Weight	99
Rated Motor Current	12.8/6.4 Amps			NEMA Design	B
Service Factor	1.25			IP Rating	55
KVA Code	J			Insulation Class	F
Nominal Efficiency	87.5 %			Tropicalization	YES
Nominal Power Factor	83 cosθ			Duty	CONT
Full Load Torque Ft-Lb	14.99172 Ft-Lb			Cable Entry	1.25
Temp Rise @ Full Load °C	76.2			Feet Removable	YES
Efficiency Level	IE2 - High (EPact)			Double Drilled	NO
Load Data	RPM	Trq %FL	Current Amps	Rated Ambient (°C)	40
Locked Rotor	-	211	42.27	Rated Altitude (M)	1000
Breakdown	-	280	-	Coating	7024 - Graphite Grey
Pull Up	-	135	-	Shaft Grounding	NO
125% of FL	1712.9	-	7.8441	Brake Voltage (DC)	
75% of FL	1754.2	-	4.9066	Brake Torque (N-M)	
50% of FL	1771.1	-	3.7967	Mechanical Data	
No Load		-	2.732	Bearing DE Side	6306ZZ
Hazardous Location	Class 1, Div2 Grp A,B,C,D			Bearing NDE Side	6306ZZ
				Moment of Inertia	kg.m2
				Noise Level	Per NEMA dB (A)
CT VFD Range		--		Loaded Torque Curves	
				P1 = INPUT POWER (KW), S = Slip (% of Sync RPM), η = Efficiency (%), cosφ = Power Factor	
Certifications	UL	CSA	DOE		
File Numbers	323353	224693	096A		
Wiring Diagram	3PH 12 Lead Dual Voltage				

Model Number	PC3-CI-TF-184T-4-B-D-5-230 460-60
MFG PN	T184T5U4B
List Price	--
Base Frame	PC-184T-CI-TF



 ShangHai HIMAK Electrical Machinery CO.,LTD			NEMA TEFC 184T		
			NO:	IHMY.010.P004	
Design	Yang	Standard	STEP MARK	1:2.5	SDRT Cast iron Motor
Checker		Allow			
Auditing		Date			