



Model Number PC3-CI-TF-182T-4-B-D-3-230|460-60

MFG PN T182T3U4B

List Price --

All data shown at HIGH voltage setting

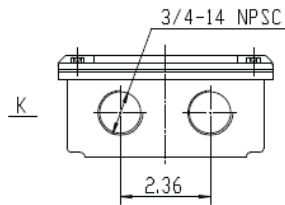
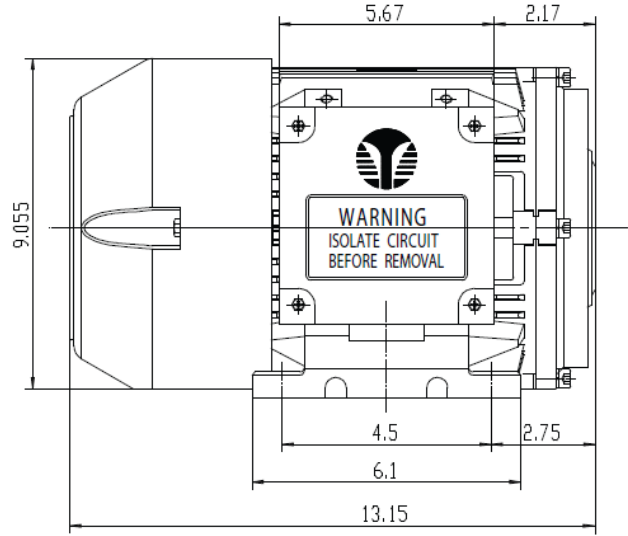
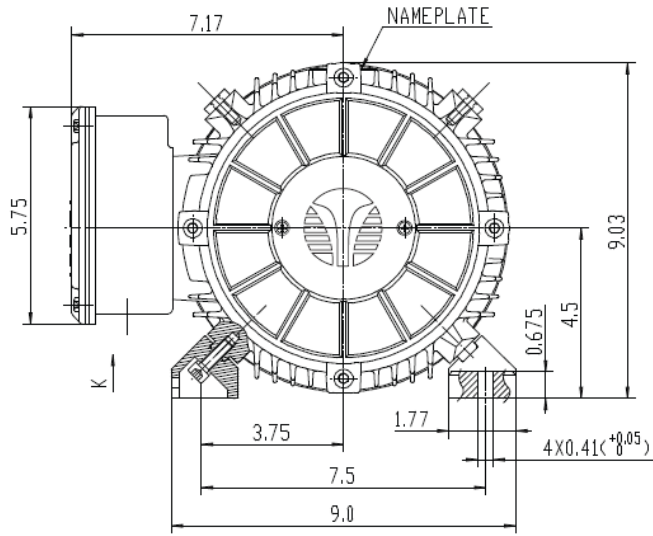
Format STD 3 Phase

Electrical Data				General Data																																																																									
Rated Motor Output Power	3 HP			Frame Size	182																																																																								
Rated Motor Speed	3510 r/min			Enclosure	TEFC																																																																								
Rated Motor Voltage (3 Phase)	230 460-60 Volts - HZ			Approximate Weight	85.8																																																																								
Rated Motor Current	7.6/3.8 Amps			NEMA Design	B																																																																								
Service Factor	1.25			IP Rating	55																																																																								
KVA Code	J			Insulation Class	F																																																																								
Nominal Efficiency	85.5 %			Tropicalization	YES																																																																								
Nominal Power Factor	87 cosθ			Duty	CONT																																																																								
Full Load Torque Ft-Lb	8.8541504 Ft-Lb			Cable Entry	1.25																																																																								
Temp Rise @ Full Load °C	50.8			Feet Removable	YES																																																																								
Efficiency Level	IE2 - High (EPact)			Double Drilled	NO																																																																								
Load Data	RPM	Trq %FL	Current Amps	Rated Ambient (°C)	40																																																																								
Locked Rotor	-	263	30.92	Rated Altitude (M)	1000																																																																								
Breakdown	-	326	-	Coating	7024 - Graphite Grey																																																																								
Pull Up	-	205	-	Shaft Grounding	NO																																																																								
125% of FL	1730.3	-	4.8129	Brake Voltage (DC)																																																																									
75% of FL	1761.6	-	3.2469	Brake Torque (N-M)																																																																									
50% of FL	1775.1	-	2.6648	Mechanical Data																																																																									
No Load		-	2.135	Bearing DE Side	6306ZZ																																																																								
Hazardous Location	Class 1, Div2 Grp A,B,C,D			Bearing NDE Side	6306ZZ																																																																								
				Moment of Inertia	kg.m2																																																																								
				Noise Level	Per NEMA dB (A)																																																																								
CT VFD Range		--		Loaded Torque Curves																																																																									
				P1 = INPUT POWER (KW), S = Slip (% of Sync RPM), η = Efficiency (%), cosφ = Power Factor																																																																									
Certifications	UL	CSA	DOE																																																																										
File Numbers	323353	224693	096A																																																																										
Wiring Diagram	3PH 12 Lead Dual Voltage																																																																												
<p style="text-align: center;">DELTA RUN CONNECTIONS</p> <table border="1" style="width: 100%; text-align: center;"> <tr> <td>6</td><td>4</td><td>5</td> <td>4</td><td>5</td><td>6</td> </tr> <tr> <td>7</td><td>8</td><td>9</td> <td>7</td><td>8</td><td>9</td> </tr> <tr> <td>12</td><td>10</td><td>11</td> <td>12</td><td>10</td><td>11</td> </tr> <tr> <td>1</td><td>2</td><td>3</td> <td>1</td><td>2</td><td>3</td> </tr> <tr> <td colspan="3">↑</td> <td colspan="3">↑</td> </tr> <tr> <td colspan="3">230V RUN</td> <td colspan="3">460V RUN</td> </tr> <tr> <td>10</td><td>11</td><td>12</td> <td>10</td><td>11</td><td>12</td> </tr> <tr> <td>4</td><td>5</td><td>6</td> <td>4</td><td>5</td><td>6</td> </tr> <tr> <td>7</td><td>8</td><td>9</td> <td>7</td><td>8</td><td>9</td> </tr> <tr> <td>1</td><td>2</td><td>3</td> <td>1</td><td>2</td><td>3</td> </tr> <tr> <td colspan="3">↑</td> <td colspan="3">↑</td> </tr> <tr> <td colspan="3">398V RUN</td> <td colspan="3">796V RUN</td> </tr> </table>				6	4	5	4	5	6	7	8	9	7	8	9	12	10	11	12	10	11	1	2	3	1	2	3	↑			↑			230V RUN			460V RUN			10	11	12	10	11	12	4	5	6	4	5	6	7	8	9	7	8	9	1	2	3	1	2	3	↑			↑			398V RUN			796V RUN				
6	4	5	4	5	6																																																																								
7	8	9	7	8	9																																																																								
12	10	11	12	10	11																																																																								
1	2	3	1	2	3																																																																								
↑			↑																																																																										
230V RUN			460V RUN																																																																										
10	11	12	10	11	12																																																																								
4	5	6	4	5	6																																																																								
7	8	9	7	8	9																																																																								
1	2	3	1	2	3																																																																								
↑			↑																																																																										
398V RUN			796V RUN																																																																										



Model Number	PC3-CI-TF-182T-4-B-D-3-230 460-60
MFG PN	T182T3U4B
List Price	--
Base Frame	PC-182T-CI-TF

FRAME: 182T | HP: 3 | RPM: 1800 | PHASE: 3 | VOLT: 208-230/460V | ENCL: TEFC | FREQ: | FLA: | LRA:



TECHTOP	MODEL NUMBER:	REV	BY	DATE	CHANGES
	PC3-CI-TF-182T-4-B-D-3	1	ARE	12/28/2015	REVISION CHANGE FROM STEEL FAN COVER TO CAST IRON FAN COVER
MFG PN:	2				
MATERIAL: CAST IRON	3				
UNITS: INCH BY: ARE	4				
DRAWN: 12/28/2015	5				
WWW.TECHTOP.COM	6				
	7				

Techtop Industries -2815 Colonnades Court - Peachtree Corners, GA 30071 - Phone: (678) 436-5540