



Model Number OX3-CI-TF-449T-6-RR-E-200-460-60

MFG PN T449T200U6B

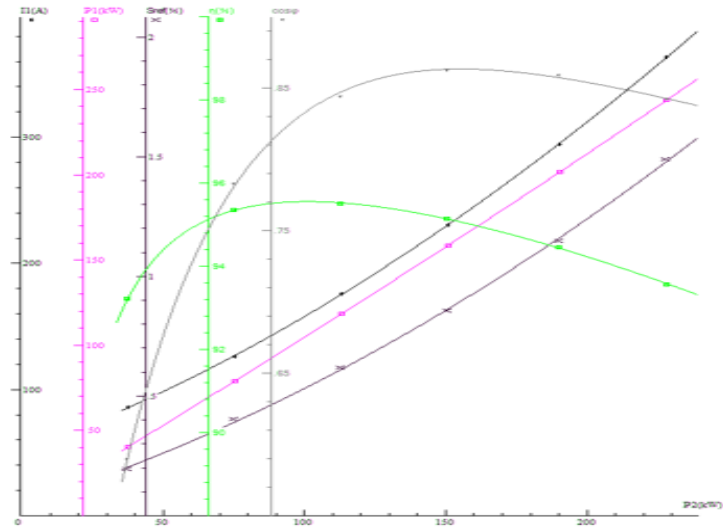
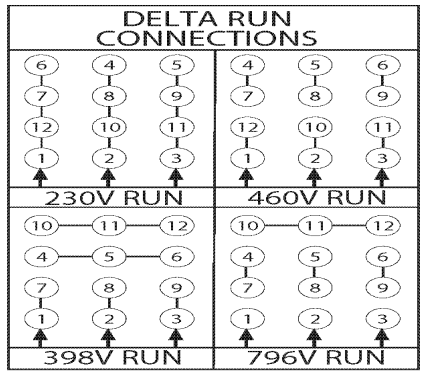
List Price --

All data shown at HIGH voltage setting

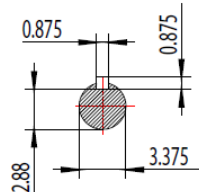
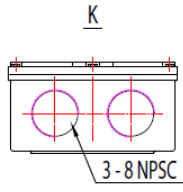
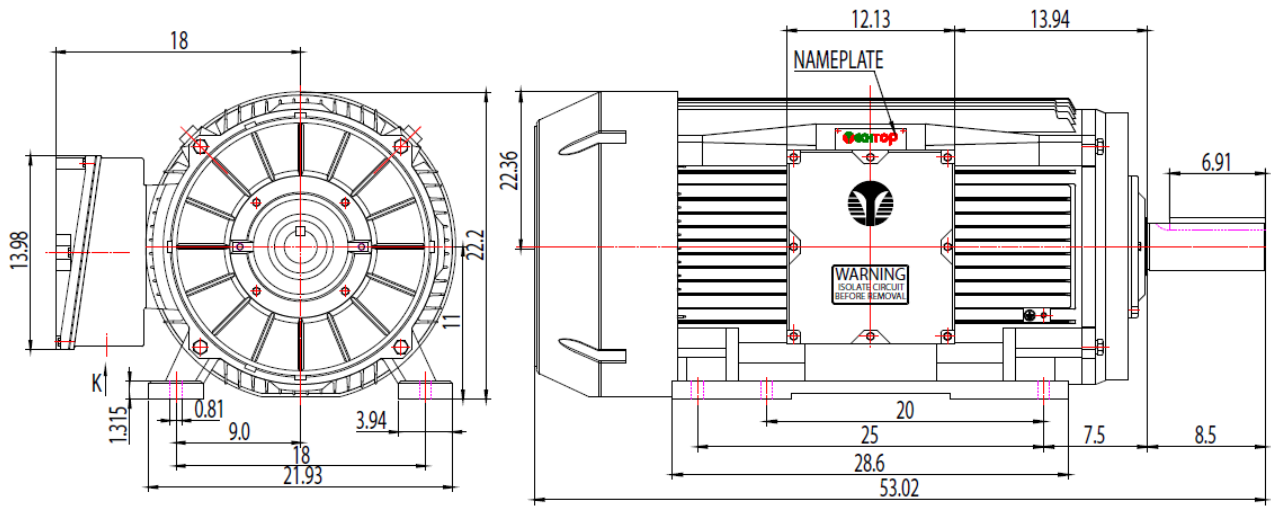
Format STD 3 Phase


Electrical Data				General Data	
Rated Motor Output Power	200 HP			Frame Size	449
Rated Motor Speed	1190 r/min			Enclosure	TEFC
Rated Motor Voltage (3 Phase)	460-60 Volts - HZ			Approximate Weight	--
Rated Motor Current	466/233 Amps			NEMA Design	C
Service Factor	1.15			IP Rating	55
KVA Code	K			Insulation Class	F
Nominal Efficiency	95.8 %			Tropicalization	YES
Nominal Power Factor	0.84 cosθ			Duty	Cont.
Full Load Torque Ft-Lb	891.0208 Ft-Lb			Cable Entry	1.25
Temp Rise @ Full Load °C	86.1			Feet Removable	YES
Efficiency Level	IE3 - NEMA Premium			Double Drilled	NO
Load Data	RPM	Trq %FL	Current Amps	Rated Ambient (°C)	40
Locked Rotor	-	276	2046	Rated Altitude (M)	1000
Breakdown	-	342	-	Coating	7024 - Graphite Grey
Pull Up	-	0	-	Shaft Grounding	NO
125% of FL	1189	-	287.72	Brake Voltage (DC)	--
75% of FL	1194	-	182.49	Brake Torque (N-M)	--
50% of FL	1196	-	138.64	Mechanical Data	
No Load	--	-	86.89	Bearing DE Side	NU 319
Hazardous Location	CL/II Div2 Grp C,D/F,G			Bearing NDE Side	6319 C3
				Moment of Inertia	-- kg.m2
				Noise Level	Per NEMA dB (A)
CT VFD Range		--		Loaded Torque Curves	
$P_1 = \text{INPUT POWER (KW)}$, $S = \text{Slip (\% of Sync RPM)}$, $\eta = \text{Efficiency (\%)}$, $\cos\phi = \text{Power Factor}$					

Certifications	UL	CSA	DOE
File Numbers	323353	224693	096A
Wiring Diagram	3PH 12 Lead Dual Voltage		



Model Number	OX3-CI-TF-449T-6-RR-E-200-460-60
MFG PN	T449T200U6B
List Price	--
Base Frame	OX-449T-CI-TF



 Shanghai HIMAK Electrical Machinery CO.,LTD		NEMA TEFC 447-449T	
Design	Standard	NO:	TXC 447-449T CFC
Checker	Allow	STEP MARK	1:4.5 SORT Cast iron Motor
Auditing	Date		