



Model Number OX3-CI-TF-449T-4-RR-E-250-460-60

MFG PN T449T250U4B

List Price --

All data shown at HIGH voltage setting

Format STD 3 Phase

Electrical Data		General Data	
Rated Motor Output Power	250 HP	Frame Size	449
Rated Motor Speed	1785 r/min	Enclosure	TEFC
Rated Motor Voltage (3 Phase)	460-60 Volts - HZ	Approximate Weight	--
Rated Motor Current	540/270 Amps	NEMA Design	C
Service Factor	1.15	IP Rating	55
KVA Code	H	Insulation Class	F
Nominal Efficiency	96.2 %	Tropicalization	YES
Nominal Power Factor	0.9 cosθ	Duty	Cont.
Full Load Torque Ft-Lb	735.025776 Ft-Lb	Cable Entry	1.25
Temp Rise @ Full Load °C	88.4	Feet Removable	YES
Efficiency Level	IE3 - NEMA Premium	Double Drilled	NO

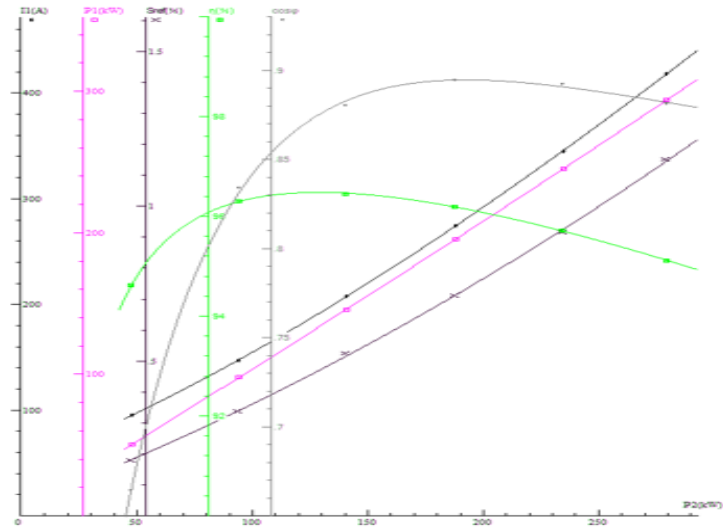
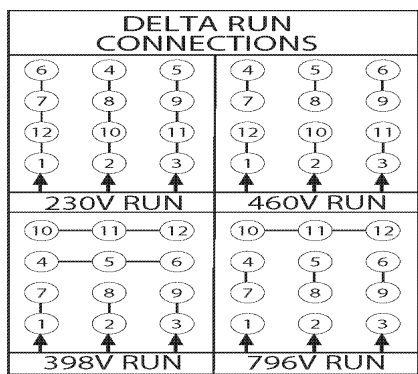
Load Data	RPM	Trq %FL	Current Amps	Mechanical Data	
Locked Rotor	-	273	2170	Rated Ambient (°C)	40
Breakdown	-	322	-	Rated Altitude (M)	1000
Pull Up	-	324	-	Coating	7024 - Graphite Grey
125% of FL	1779	-	338.31	Shaft Grounding	NO
75% of FL	1788	-	202.07	Brake Voltage (DC)	--
50% of FL	1792	-	141.83	Brake Torque (N-M)	--
No Load	--	-	58.84		

Hazardous Location	CL/II Div2 Grp C,D/F,G			Bearing DE Side	6319 C3
				Bearing NDE Side	6319 C3
				Moment of Inertia	-- kg.m2
				Noise Level	Per NEMA dB (A)

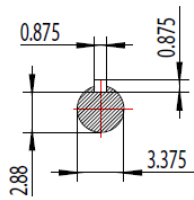
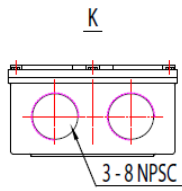
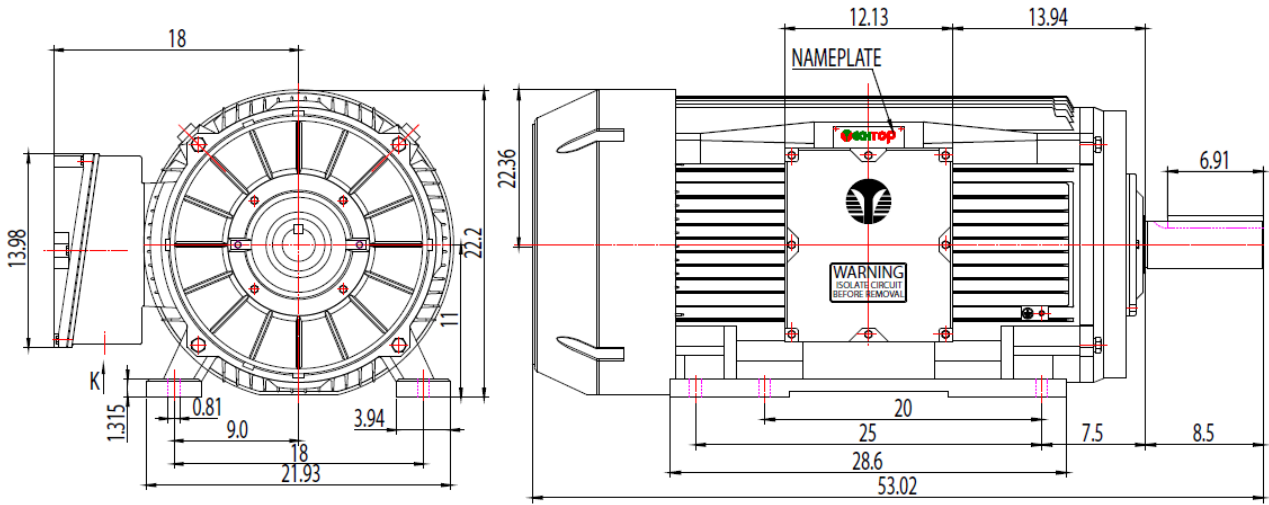
CT VFD Range	--	Loaded Torque Curves	--
P1 = INPUT POWER (KW), S = Slip (% of Sync RPM), η = Efficiency (%), cosφ = Power Factor			


Certifications	UL	CSA	DOE
File Numbers	323353	224693	096A

Wiring Diagram 3PH 12 Lead Dual Voltage



Model Number	OX3-CI-TF-449T-4-RR-E-250-460-60
MFG PN	T449T250U4B
List Price	--
Base Frame	OX-449T-CI-TF



 Shanghai HIMAK Electrical Machinery CO., LTD		NEMA TEFC 447-449T	
Design	Standard	NO:	TXC 447-449T CFC
Checker	Allow	STEP MARK	1:4.5 SORT Cast iron Motor
Auditing	Date		