



Model Number OX3-CI-TF-447T-6-RR-E-150-460-60

MFG PN T447T150U6B

List Price --

All data shown at HIGH voltage setting

Format STD 3 Phase

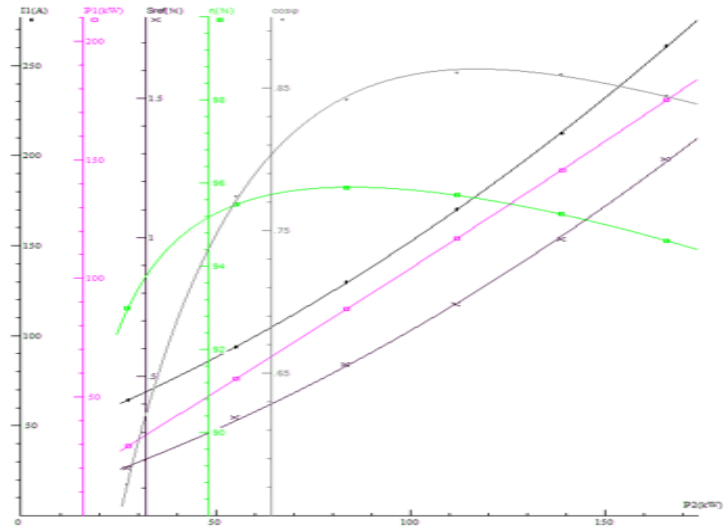
Electrical Data		General Data	
Rated Motor Output Power	150 HP	Frame Size	447
Rated Motor Speed	1190 r/min	Enclosure	TEFC
Rated Motor Voltage (3 Phase)	460-60 Volts - HZ	Approximate Weight	--
Rated Motor Current	350/175 Amps	NEMA Design	C
Service Factor	1.15	IP Rating	55
KVA Code	H	Insulation Class	F
Nominal Efficiency	95.8 %	Tropicalization	YES
Nominal Power Factor	0.84 cosθ	Duty	Cont.
Full Load Torque Ft-Lb	647.31776 Ft-Lb	Cable Entry	1.25
Temp Rise @ Full Load °C	71.4	Feet Removable	YES
Efficiency Level	IE3 - NEMA Premium	Double Drilled	NO

Load Data	RPM	Trq %FL	Current Amps	Mechanical Data	
Locked Rotor	-	282	1451	Rated Ambient (°C)	40
Breakdown	-	325	-	Rated Altitude (M)	1000
Pull Up	-	155	-	Coating	7024 - Graphite Grey
125% of FL	1099	-	209.46	Shaft Grounding	NO
75% of FL	1194	-	131.32	Brake Voltage (DC)	--
50% of FL	1196	-	98.42	Brake Torque (N-M)	--
No Load	1200	-	58.22	Bearing DE Side	NU 319

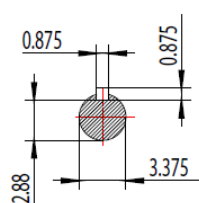
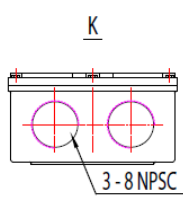
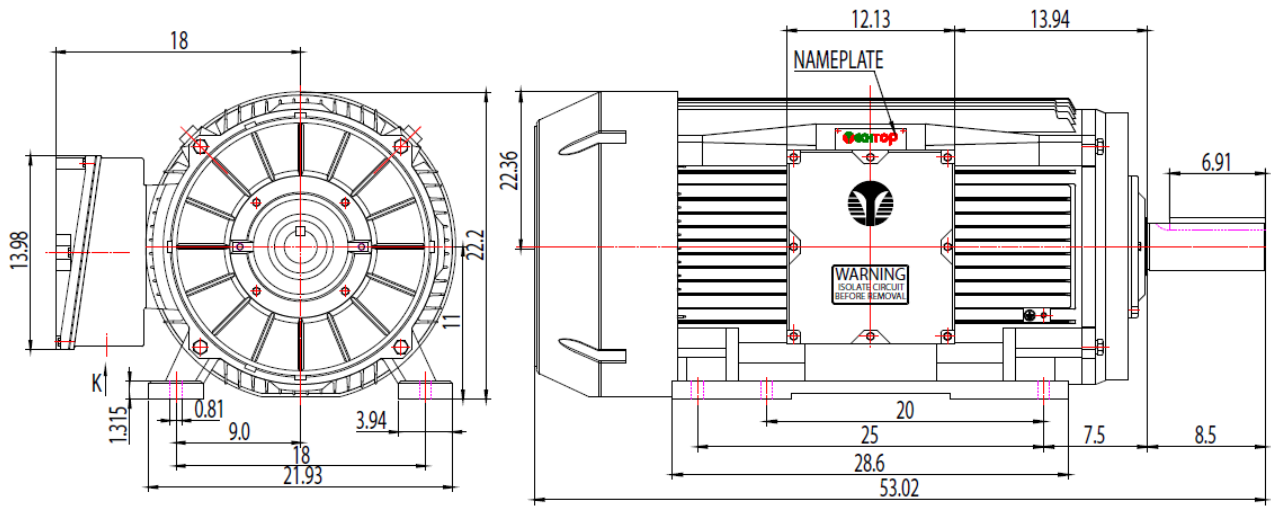
Hazardous Location	CL/II Div2 Grp C,D/F,G		Moment of Inertia	-- kg.m2
			Noise Level	Per NEMA dB (A)


CT VFD Range	--	Loaded Torque Curves	
		P1 = INPUT POWER (KW), S = Slip (% of Sync RPM), η = Efficiency (%), cosφ = Power Factor	

Certifications	UL	CSA	DOE
File Numbers	323353	224693	096A
Wiring Diagram	3PH 12 Lead Dual Voltage		



Model Number	OX3-CI-TF-447T-6-RR-E-150-460-60
MFG PN	T447T150U6B
List Price	--
Base Frame	OX-447T-CI-TF



 ShangHai HIMAK Electrical Machinery CO.,LTD		NEMA TEFC 447-449T	
Design	Standard	NO:	TXC 447-449T CFC
Checker	Allow	STEP MARK	1:4.5 SORT
Auditing	Date		Cast iron Motor