



Model Number OX3-CI-TF-405T-6-RR-E-75-460-60

MFG PN T405T75U6B

List Price --

All data shown at HIGH voltage setting

Format STD 3 Phase

Electrical Data		General Data	
Rated Motor Output Power	75 HP	Frame Size	405
Rated Motor Speed	1185 r/min	Enclosure	TEFC
Rated Motor Voltage (3 Phase)	460-60 Volts - HZ	Approximate Weight	--
Rated Motor Current	173/86.5 Amps	NEMA Design	C
Service Factor	1.15	IP Rating	55
KVA Code	K	Insulation Class	F
Nominal Efficiency	94.5 %	Tropicalization	YES
Nominal Power Factor	0.86 cosθ	Duty	Cont.
Full Load Torque Ft-Lb	325.2816 Ft-Lb	Cable Entry	1.25
Temp Rise @ Full Load °C	71.7	Feet Removable	YES
Efficiency Level	IE3 - NEMA Premium	Double Drilled	NO

Load Data	RPM	Trq %FL	Current Amps	Mechanical Data	
Locked Rotor	-	215	647	Rated Ambient (°C)	40
Breakdown	-	233	-	Rated Altitude (M)	1000
Pull Up	-	120	-	Coating	7024 - Graphite Grey
125% of FL	1184	-	107	Shaft Grounding	NO
75% of FL	1191	-	65.89	Brake Voltage (DC)	--
50% of FL	1194	-	48.43	Brake Torque (N-M)	--
No Load	--	-	27.9	Bearing DE Side	NU 316

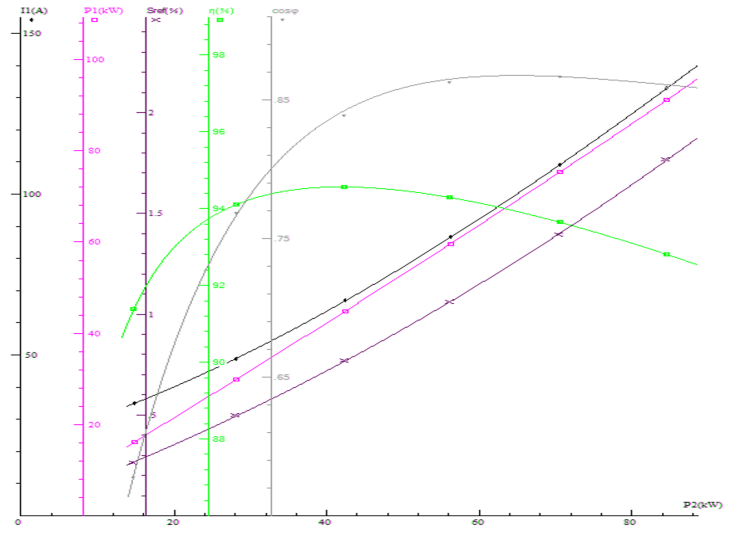
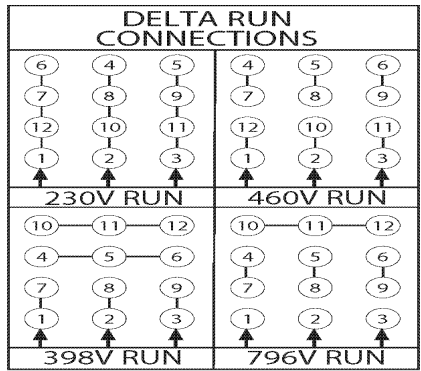
Hazardous Location	CL/II Div2 Grp C,D/F,G			Moment of Inertia	-- kg.m2	
				Noise Level	Per NEMA dB (A)	
				Loaded Torque Curves		--
				P1 = INPUT POWER (KW), S = Slip (% of Sync RPM), η = Efficiency (%), cosφ = Power Factor		

CT VFD Range	--
--------------	----

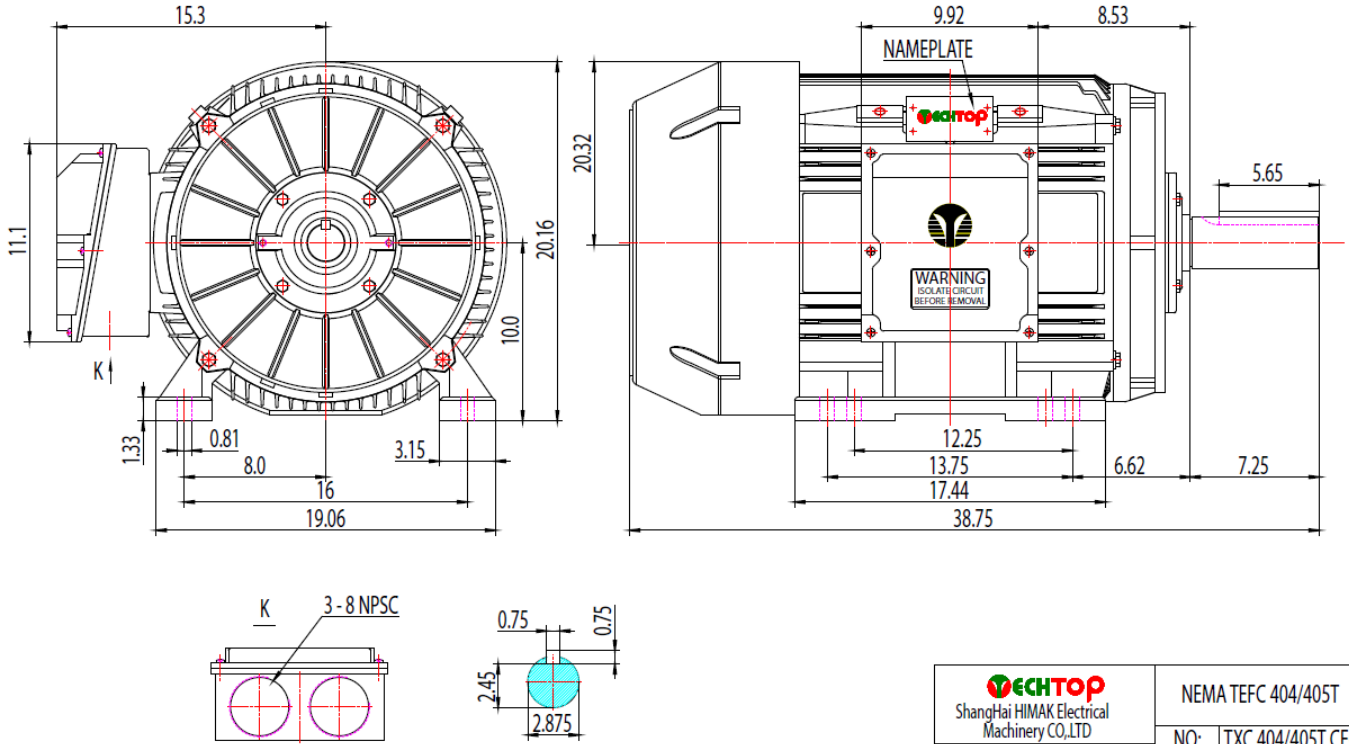
Certifications	UL	CSA	DOE
----------------	----	-----	-----


File Numbers	323353	224693	096A
--------------	--------	--------	------

Wiring Diagram	3PH 12 Lead Dual Voltage
----------------	--------------------------



Model Number	OX3-CI-TF-405T-6-RR-E-75-460-60
MFG PN	T405T75U6B
List Price	--
Base Frame	OX-405T-CI-TF



 ShangHai HIMAK Electrical Machinery CO.,LTD		NEMA TEFC 404/405T	
Design	Yang	Standard	
Checker	01.06.2016	Allow	
Auditing		Date	
NO: TXC 404/405T CFC		STEP MARK	1:3.5 SORT Cast iron Motor