



Model Number OX3-CI-TF-365T-4-RR-E-75-460-60

MFG PN T365T75U4B

List Price --

All data shown at HIGH voltage setting

Format STD 3 Phase

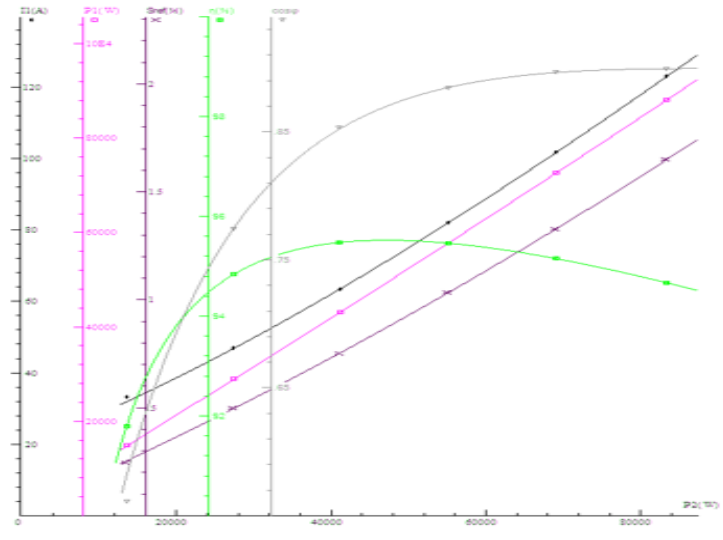
Electrical Data		General Data	
Rated Motor Output Power	75 HP	Frame Size	365
Rated Motor Speed	1780 r/min	Enclosure	TEFC
Rated Motor Voltage (3 Phase)	460-60 Volts - HZ	Approximate Weight	--
Rated Motor Current	167.2/83.6 Amps	NEMA Design	C
Service Factor	1.15	IP Rating	55
KVA Code	K	Insulation Class	F
Nominal Efficiency	95.4 %	Tropicalization	YES
Nominal Power Factor	0.88 cosθ	Duty	Cont.
Full Load Torque Ft-Lb	224.2304 Ft-Lb	Cable Entry	1.25
Temp Rise @ Full Load °C	62.5	Feet Removable	YES
Efficiency Level	IE3 - NEMA Premium	Double Drilled	NO

Load Data	RPM	Trq %FL	Current Amps	Mechanical Data	
Locked Rotor	-	328	829.5	Rated Ambient (°C)	40
Breakdown	-	297	-	Rated Altitude (M)	1000
Pull Up	-	165	-	Coating	7024 - Graphite Grey
125% of FL	1776	-	102.6	Shaft Grounding	NO
75% of FL	1786	-	64.35	Brake Voltage (DC)	--
50% of FL	1791	-	47.41	Brake Torque (N-M)	--
No Load	--	-	27.82		

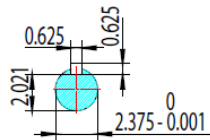
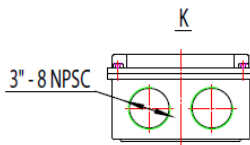
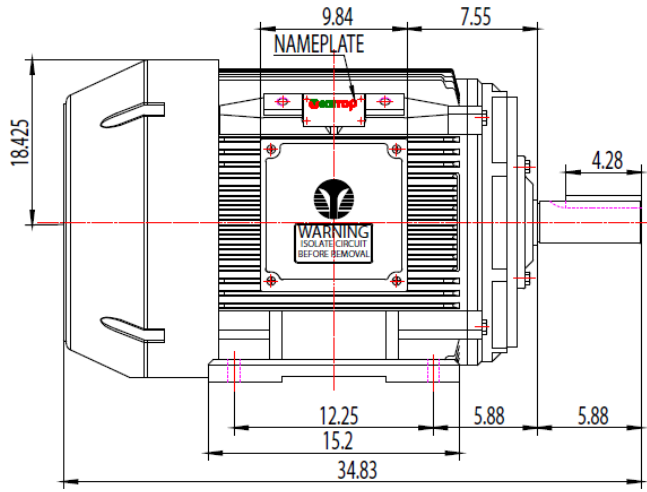
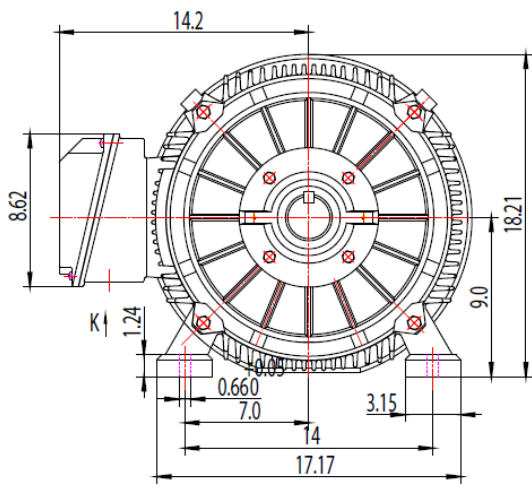
Hazardous Location	CL/II Div2 Grp C,D/F,G			Bearing DE Side	6313 C3
				Bearing NDE Side	6313 C3
				Moment of Inertia	-- kg.m2
				Noise Level	Per NEMA dB (A)


CT VFD Range	--	Loaded Torque Curves	--
P1 = INPUT POWER (KW), S = Slip (% of Sync RPM), η = Efficiency (%), cosφ = Power Factor			

Certifications	UL	CSA	DOE
File Numbers	323353	224693	096A
Wiring Diagram	3PH 12 Lead Dual Voltage		



Model Number	OX3-CI-TF-365T-4-RR-E-75-460-60
MFG PN	T365T75U4B
List Price	--
Base Frame	OX-365T-CI-TF



 ShangHai HIMAK Electrical Machinery CO.,LTD			NEMA TEFC 365T			
			NO:	TXC 365T CFC		
Design	Yang	Standard	STEP MARK	1.5	SORT	Cast iron Motor
Checker	01.06.2016	Allow				
Auditing		Date				