



Model Number GX3-CI-TF-449TSC-2-BR-E-300-460-60

MFG PN T449TS300U2B

List Price --

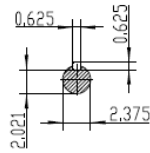
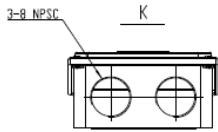
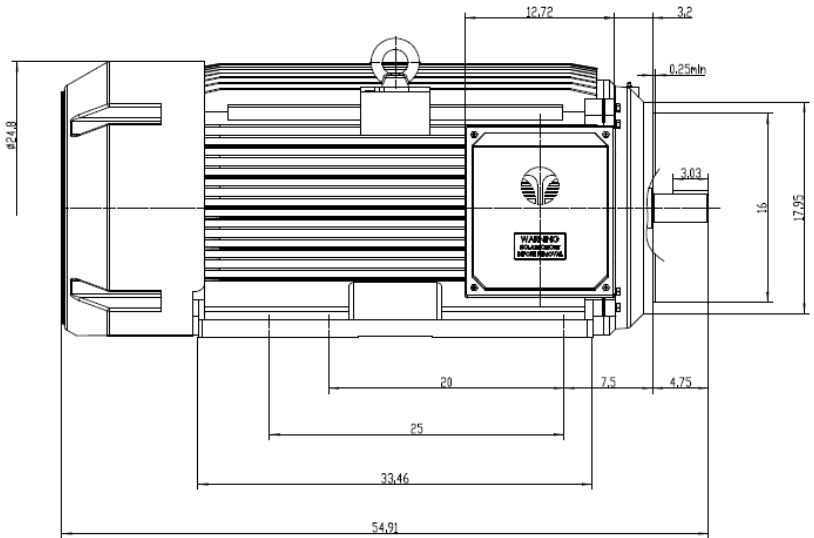
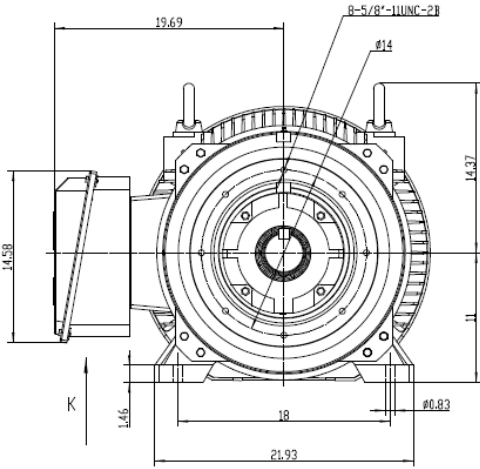
All data shown at HIGH voltage setting

Format STD 3 Phase

Electrical Data				General Data	
Rated Motor Output Power	300 HP			Frame Size	449
Rated Motor Speed	3570 r/min			Enclosure	TEFC
Rated Motor Voltage (3 Phase)	460-60 Volts - HZ			Approximate Weight	2376
Rated Motor Current	325.7 Amps			NEMA Design	A
Service Factor	1			IP Rating	55
KVA Code	K			Insulation Class	F
Nominal Efficiency	95.7 %			Tropicalization	YES
Nominal Power Factor	0.9 cosθ			Duty	cont
Full Load Torque Ft-Lb	434 Ft-Lb			Cable Entry	1.25
Temp Rise @ Full Load °C	80.4			Feet Removable	YES
Efficiency Level	IE3 - NEMA Premium			Double Drilled	NO
Load Data	RPM	Trq %FL	Current Amps	Rated Ambient (°C)	40
Locked Rotor	-	458	3436	Rated Altitude (M)	1000
Breakdown	-	477	-	Coating	7026 - Graphite Grey
Pull Up	-	363	-	Shaft Grounding	YES
125% of FL	3574	-	405	Brake Voltage (DC)	
75% of FL	3585	-	250.4	Brake Torque (N-M)	
50% of FL	3590.3	-	181.7	Mechanical Data	
No Load		-		Bearing DE Side	6317 C3
Hazardous Location	Class 1, Div 2 Grp A,B,C,D			Bearing NDE Side	6317 C3
				Moment of Inertia	kg.m2
				Noise Level	Per NEMA dB (A)
CT VFD Range		--		Loaded Torque Curves	
				P1 = INPUT POWER (KW), S = Slip (% of Sync RPM), η = Efficiency (%), cosφ = Power Factor	
Certifications	UL	CSA	DOE		
File Numbers	323353	224693	096A		
Wiring Diagram	3Phase 6 Lead				



Model Number	GX3-CI-TF-449TSC-2-BR-E-300-460-60
MFG PN	T449TS300U2B
List Price	--
Base Frame	GX-449TSC-CI-TF



		NEMA TFCL 449TSC	
Shanghai HIWAK Electrical Machinery CO., LTD		NO:	CY226.A22.001
Design	Standard	STEP MARK	1:5.5
Checker	Allow	SORT	Last Iron Motor
Editing	Date	S	

Techtop Industries -2815 Colonnades Court - Peachtree Corners, GA 30071 - Phone: (678) 436-5540