



Model Number GX3-CI-TF-449T-4-BR-E-400-460-60

MFG PN T449T400U4B

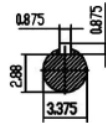
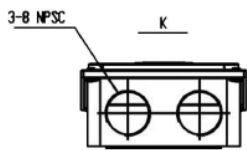
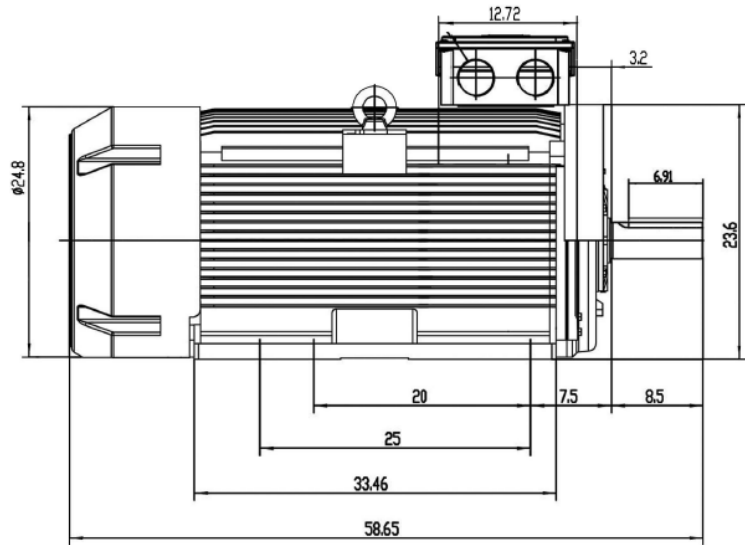
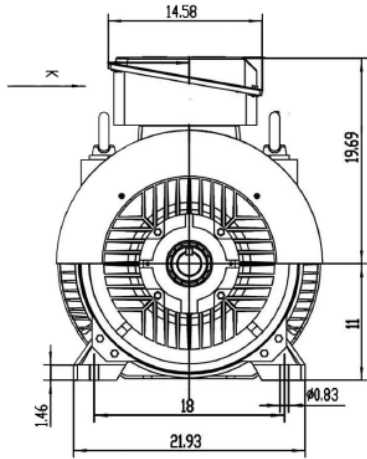
List Price --


All data shown at HIGH voltage setting

Format STD 3 Phase

Electrical Data				General Data	
Rated Motor Output Power	400 HP			Frame Size	449
Rated Motor Speed	1780 r/min			Enclosure	TEFC
Rated Motor Voltage (3 Phase)	460-60 Volts - HZ			Approximate Weight	--
Rated Motor Current	442 Amps			NEMA Design	A
Service Factor	1.15			IP Rating	55
KVA Code	F			Insulation Class	F
Nominal Efficiency	96.2 %			Tropicalization	YES
Nominal Power Factor	0.88 cosθ			Duty	cont
Full Load Torque Ft-Lb	1184 Ft-Lb			Cable Entry	1.25
Temp Rise @ Full Load °C	75			Feet Removable	YES
Efficiency Level	IE3 - NEMA Premium			Double Drilled	NO
Load Data	RPM	Trq %FL	Current Amps	Rated Ambient (°C)	40
Locked Rotor	-	231	2764	Rated Altitude (M)	1000
Breakdown	-	76	-	Coating	7024 - Graphite Grey
Pull Up	-	45	-	Shaft Grounding	YES
125% of FL	1779	-	513	Brake Voltage (DC)	--
75% of FL	1787	-	337.28	Brake Torque (N-M)	--
50% of FL	1791.5	-	241	Mechanical Data	
No Load	--	-	117.5	Bearing DE Side	NU319
Hazardous Location	Class 1, Div 2 Grp A,B,C,D			Bearing NDE Side	6319 C3
				Moment of Inertia	-- kg.m2
				Noise Level	Per NEMA dB (A)
CT VFD Range		--		Loaded Torque Curves	
				P1 = INPUT POWER (KW), S = Slip (% of Sync RPM), η = Efficiency (%), cosφ = Power Factor	
Certifications	UL	CSA	DOE		
File Numbers	323353	224693	096A		
Wiring Diagram	3Phase 6 Lead				

Model Number	GX3-CI-TF-449T-4-BR-E-400-460-60
MFG PN	T449T400U4B
List Price	--
Base Frame	GX-449TL-CI-TF



 Shanghai HIMAK Electrical Machinery CO.,LTD		NEMA TFCL 449T	
Design	Standard	NO:	CY226.A16.002
Checker	Allow	STEP MARK	1:8
Auditing	Date	SORT	Cast Iron Motor