



Model Number GX3-AL-TF-284TS-2-B-D-25-230|460-60

MFG PN T284TS25U2B

List Price --

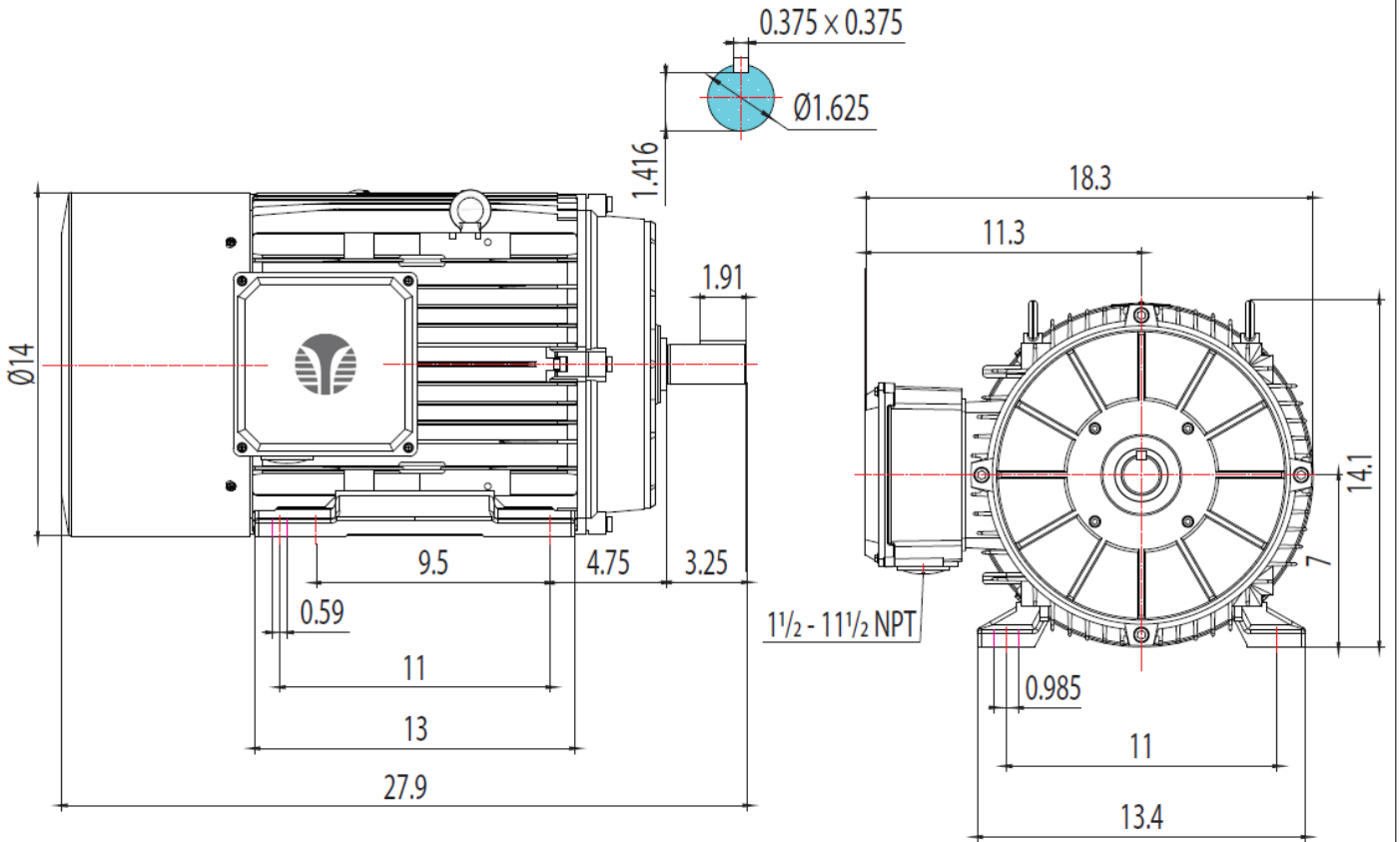
All data shown at HIGH voltage setting

Format | STD 3 Phase

Electrical Data				General Data	
Rated Motor Output Power	25 HP			Frame Size	284
Rated Motor Speed	3550 r/min			Enclosure	TEFC
Rated Motor Voltage (3 Phase)	230 460-60 Volts - HZ			Approximate Weight	264
Rated Motor Current	57.0/28.5 Amps			NEMA Design	A
Service Factor	1.25			IP Rating	55
KVA Code	J			Insulation Class	F
Nominal Efficiency	91.7 %			Tropicalization	YES
Nominal Power Factor	0.89 cosθ			Duty	Cont.
Full Load Torque Ft-Lb	36.43744 Ft-Lb			Cable Entry	1.25
Temp Rise @ Full Load °C	59.3			Feet Removable	YES
Efficiency Level	IE3 - NEMA Premium			Double Drilled	NO
Load Data	RPM	Trq %FL	Current Amps	Rated Ambient (°C)	40
Locked Rotor	-	207	204.5	Rated Altitude (M)	1000
Breakdown	-	274	-	Coating	7024 - Graphite Grey
Pull Up	-	120	-	Shaft Grounding	Yes
125% of FL	3536	-	32.15	Brake Voltage (DC)	--
75% of FL	3560	-	21.26	Brake Torque (N-M)	--
50% of FL	3574	-	15.14	Mechanical Data	
No Load	3594	-	6.96	Bearing DE Side	6311 C3
Hazardous Location	Class 1, Div 2, Grp A,B,C,D			Bearing NDE Side	6311 C3
				Moment of Inertia	-- kg.m2
				Noise Level	Per NEMA dB (A)
CT VFD Range		--		Loaded Torque Curves	
				P1 = INPUT POWER (KW), S = Slip (% of Sync RPM), η = Efficiency (%), cosφ = Power Factor	
Certifications	UL	CSA	DOE		
File Numbers	323353	224693	096A		
Wiring Diagram	3PH 12 Lead Dual Voltage				
<p>Techtop Industries -2815 Colonnades Court - Peachtree Corners, GA 30071 - Phone: (678) 436-5540</p>					

Model Number	GX3-AL-TF-284TS-2-B-D-25-230 460-60
MFG PN	T284TS25U2B
List Price	--
Base Frame	GX-284TS-AL-TF

FRAME: 280TS | HP: | RPM: | PHASE: 3 | VOLT: 208-230/460V | ENCL: TEFC | FREQ: 60 Hz | FLA: | LRA:



REV	BY	DATE
1		
2		
3		
4		
5		
6		
7		