



Model Number **GX3-AL-TF-256TC-6-B-D-10-230|460-60**

MFG PN **T256T10U6B**

List Price **--**

All data shown at HIGH voltage setting

Format **STD 3 Phase**

Electrical Data		General Data	
Rated Motor Output Power	10 HP	Frame Size	256
Rated Motor Speed	1180 r/min	Enclosure	TEFC
Rated Motor Voltage (3 Phase)	230 460-60 Volts - HZ	Approximate Weight	200.42
Rated Motor Current	28.7 14.4 Amps	NEMA Design	A
Service Factor	1.25	IP Rating	55
KVA Code	M	Insulation Class	F
Nominal Efficiency	91 %	Tropicalization	YES
Nominal Power Factor	0.72 cosθ	Duty	Cont.
Full Load Torque Ft-Lb	44.860832 Ft-Lb	Cable Entry	1.25
Temp Rise @ Full Load °C	34.8	Feet Removable	YES
Efficiency Level	IE3 - NEMA Premium	Double Drilled	NO

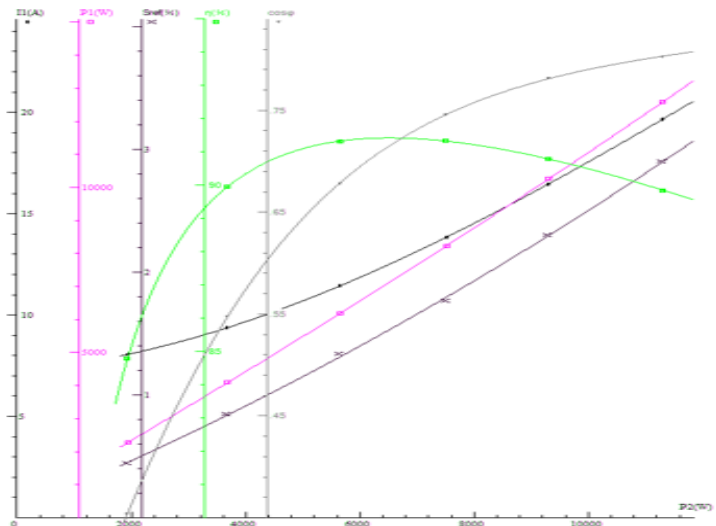
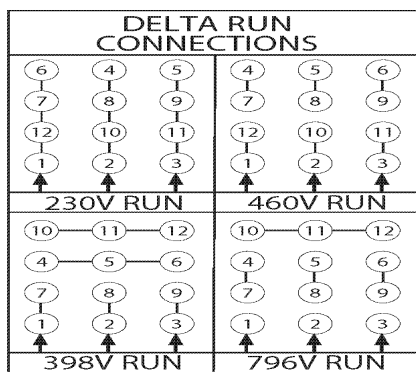
Load Data	RPM	Trq %FL	Current Amps	Mechanical Data	
Locked Rotor	-	312	115	Bearing DE Side	6309 C3
Breakdown	-	371	-	Bearing NDE Side	6309 C3
Pull Up	-	173	-	Moment of Inertia	-- kg.m2
125% of FL	1171	-	16.68	Noise Level	Per NEMA dB (A)
75% of FL	1184	-	11.45		
50% of FL	1190	-	9.49		
No Load	1195	-	7.59		

Hazardous Location	Class 1, Div 2, Grp A,B,C,D				
--------------------	------------------------------------	--	--	--	--

CT VFD Range	--	Loaded Torque Curves	--
P1 = INPUT POWER (KW), S = Slip (% of Sync RPM), η = Efficiency (%), cosφ = Power Factor			

Certifications	UL	CSA	DOE
File Numbers	323353	224693	096A

Wiring Diagram **3PH 12 Lead Dual Voltage**





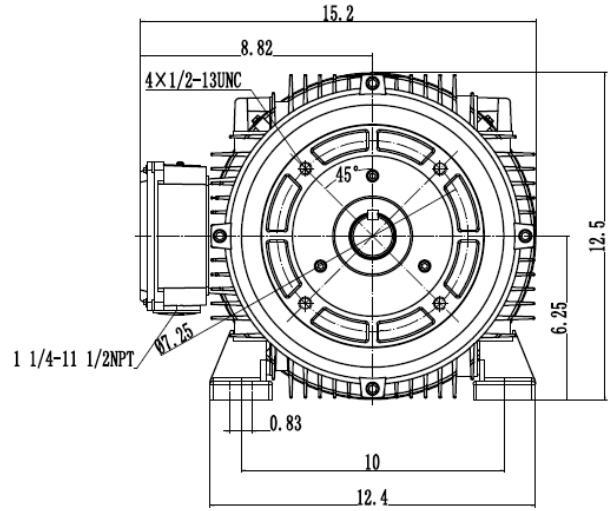
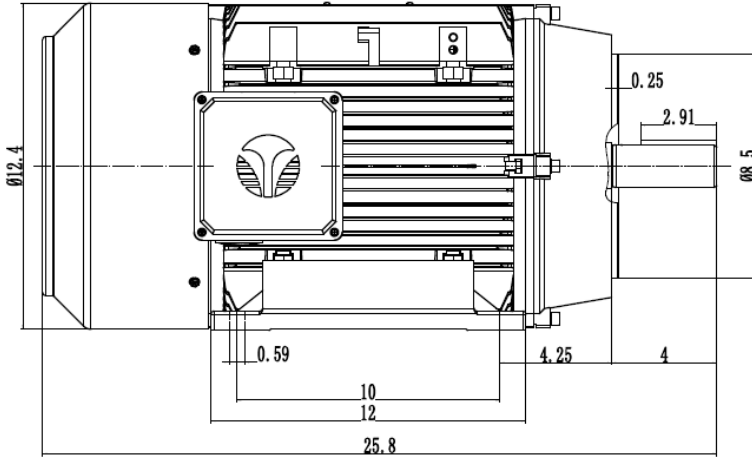
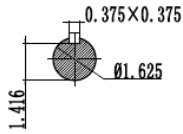
Model Number GX3-AL-TF-256TC-6-B-D-10-230|460-60

MFG PN T256T10U6B

List Price --

Base Frame GX-256TC-AL-TF

FRAME: HP: RPM: PHASE: VOLT: ENCL: FREQ: FLA: LRA:



MODEL: NEMA256TC
REV.DESC:

SCALE: 1:3.5
VERSION:

DATE:
REVISED:

UNITS:
BY:

WWW.TECHTOP.COM

Techtop Industries -2815 Colonnades Court - Peachtree Corners, GA 30071 - Phone: (678) 436-5540