



Model Number **GX3-AL-TF-256TC-4-B-D-20-230|460-60**

MFG PN **T256T20U4B**

List Price **--**

All data shown at HIGH voltage setting

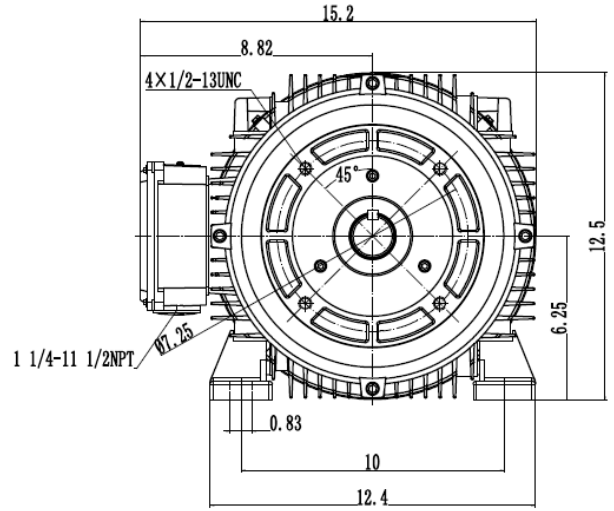
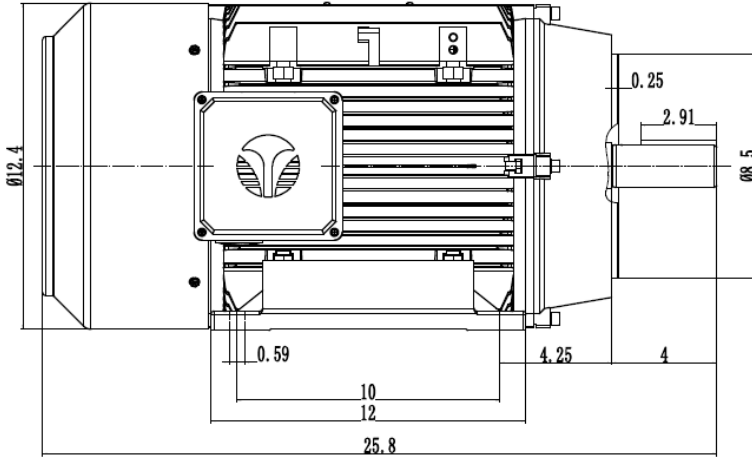
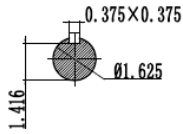
Format **STD 3 Phase**

Electrical Data				General Data	
Rated Motor Output Power	20 HP			Frame Size	256
Rated Motor Speed	1770 r/min			Enclosure	TEFC
Rated Motor Voltage (3 Phase)	230 460-60 Volts - HZ			Approximate Weight	244.42
Rated Motor Current	47.6/23.8 Amps			NEMA Design	A
Service Factor	1.25			IP Rating	55
KVA Code	K			Insulation Class	F
Nominal Efficiency	93 %			Tropicalization	YES
Nominal Power Factor	0.85 cosθ			Duty	Cont.
Full Load Torque Ft-Lb	59.649712 Ft-Lb			Cable Entry	1.25
Temp Rise @ Full Load °C	43.3			Feet Removable	YES
Efficiency Level	IE3 - NEMA Premium			Double Drilled	NO
Load Data	RPM	Trq %FL	Current Amps	Rated Ambient (°C)	40
Locked Rotor	-	0	0	Rated Altitude (M)	1000
Breakdown	-	123	-	Coating	7024 - Graphite Grey
Pull Up	-	0	-	Shaft Grounding	Yes
125% of FL	1765	-	27.11	Brake Voltage (DC)	--
75% of FL	1779	-	18.62	Brake Torque (N-M)	--
50% of FL	1787	-	14.14	Mechanical Data	
No Load	--	-	9.09	Bearing DE Side	6309 C3
Hazardous Location	Class 1, Div 2, Grp A,B,C,D			Bearing NDE Side	6309 C3
				Moment of Inertia	-- kg.m2
				Noise Level	Per NEMA dB (A)
CT VFD Range		--		Loaded Torque Curves	
				P1 = INPUT POWER (KW), S = Slip (% of Sync RPM), η = Efficiency (%), cosφ = Power Factor	
Certifications	UL	CSA	DOE		
File Numbers	323353	224693	096A		
Wiring Diagram	3PH 12 Lead Dual Voltage				



Model Number	GX3-AL-TF-256TC-4-B-D-20-230 460-60
MFG PN	T256T20U4B
List Price	--
Base Frame	GX-256TC-AL-TF

FRAME:	HP:	RPM:	PHASE:	VOLT:	ENCL:	FREQ:	FLA:	LRA:
--------	-----	------	--------	-------	-------	-------	------	------



MODEL: NEMA256TC
REV.DESC:

SCALE: 1:3.5
VERSION:

DATE:
REVISED:

UNITS:
BY:

WWW.TECHTOP.COM

Techtop Industries -2815 Colonnades Court - Peachtree Corners, GA 30071 - Phone: (678) 436-5540