



Model Number **GX3-AL-TF-254TC-6-B-D-7.5-230|460-60**

MFG PN **T254T7.5U6B**

List Price **--**

All data shown at HIGH voltage setting

Format **STD 3 Phase**

Electrical Data				General Data																																																																									
Rated Motor Output Power	7.5 HP			Frame Size	254																																																																								
Rated Motor Speed	1180 r/min			Enclosure	TEFC																																																																								
Rated Motor Voltage (3 Phase)	230 460-60 Volts - HZ			Approximate Weight	183.92																																																																								
Rated Motor Current	21.7/10.8 Amps			NEMA Design	A																																																																								
Service Factor	1.25			IP Rating	55																																																																								
KVA Code	N			Insulation Class	F																																																																								
Nominal Efficiency	91 %			Tropicalization	YES																																																																								
Nominal Power Factor	0.7 cosθ			Duty	Cont.																																																																								
Full Load Torque Ft-Lb	32.646176 Ft-Lb			Cable Entry	1.25																																																																								
Temp Rise @ Full Load °C	23.4			Feet Removable	YES																																																																								
Efficiency Level	IE3 - NEMA Premium			Double Drilled	NO																																																																								
Load Data	RPM	Trq %FL	Current Amps	Rated Ambient (°C)	40																																																																								
Locked Rotor	-	353	106	Rated Altitude (M)	1000																																																																								
Breakdown	-	452	-	Coating	7024 - Graphite Grey																																																																								
Pull Up	-	207	-	Shaft Grounding	Yes																																																																								
125% of FL	1178	-	12.33	Brake Voltage (DC)	--																																																																								
75% of FL	1188	-	8.86	Brake Torque (N-M)	--																																																																								
50% of FL	1192	-	7.55	Mechanical Data																																																																									
No Load	1199	-	6.36	Bearing DE Side	6309 C3																																																																								
Hazardous Location	Class 1, Div 2, Grp A,B,C,D			Bearing NDE Side	6309 C3																																																																								
				Moment of Inertia	-- kg.m2																																																																								
				Noise Level	Per NEMA dB (A)																																																																								
CT VFD Range		--		Loaded Torque Curves																																																																									
				P1 = INPUT POWER (KW), S = Slip (% of Sync RPM), η = Efficiency (%), cosφ = Power Factor																																																																									
Certifications	UL	CSA	DOE																																																																										
File Numbers	323353	224693	096A																																																																										
Wiring Diagram	3PH 12 Lead Dual Voltage																																																																												
<div style="display: flex; justify-content: space-around;"> <div style="border: 1px solid black; padding: 5px;"> <p style="text-align: center;">DELTA RUN CONNECTIONS</p> <table border="1" style="width: 100%; text-align: center;"> <tr> <td>6</td><td>4</td><td>5</td> <td>4</td><td>5</td><td>6</td> </tr> <tr> <td>7</td><td>8</td><td>9</td> <td>7</td><td>8</td><td>9</td> </tr> <tr> <td>12</td><td>10</td><td>11</td> <td>12</td><td>10</td><td>11</td> </tr> <tr> <td>1</td><td>2</td><td>3</td> <td>1</td><td>2</td><td>3</td> </tr> <tr> <td colspan="3">↑</td> <td colspan="3">↑</td> </tr> <tr> <td colspan="3">230V RUN</td> <td colspan="3">460V RUN</td> </tr> <tr> <td>10</td><td>11</td><td>12</td> <td>10</td><td>11</td><td>12</td> </tr> <tr> <td>4</td><td>5</td><td>6</td> <td>4</td><td>5</td><td>6</td> </tr> <tr> <td>7</td><td>8</td><td>9</td> <td>7</td><td>8</td><td>9</td> </tr> <tr> <td>1</td><td>2</td><td>3</td> <td>1</td><td>2</td><td>3</td> </tr> <tr> <td colspan="3">↑</td> <td colspan="3">↑</td> </tr> <tr> <td colspan="3">398V RUN</td> <td colspan="3">796V RUN</td> </tr> </table> </div> </div>						6	4	5	4	5	6	7	8	9	7	8	9	12	10	11	12	10	11	1	2	3	1	2	3	↑			↑			230V RUN			460V RUN			10	11	12	10	11	12	4	5	6	4	5	6	7	8	9	7	8	9	1	2	3	1	2	3	↑			↑			398V RUN			796V RUN		
6	4	5	4	5	6																																																																								
7	8	9	7	8	9																																																																								
12	10	11	12	10	11																																																																								
1	2	3	1	2	3																																																																								
↑			↑																																																																										
230V RUN			460V RUN																																																																										
10	11	12	10	11	12																																																																								
4	5	6	4	5	6																																																																								
7	8	9	7	8	9																																																																								
1	2	3	1	2	3																																																																								
↑			↑																																																																										
398V RUN			796V RUN																																																																										



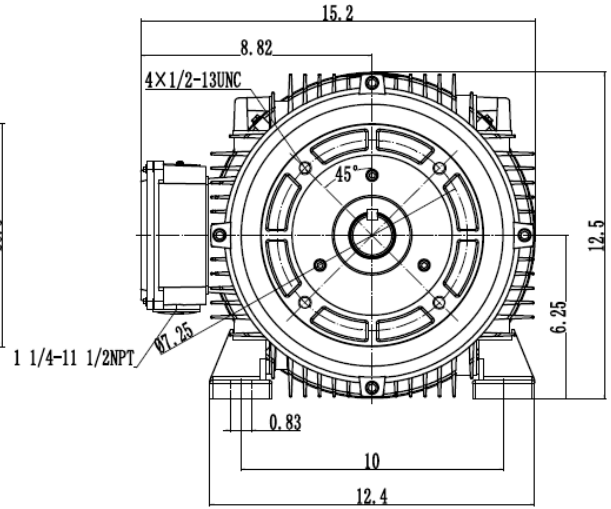
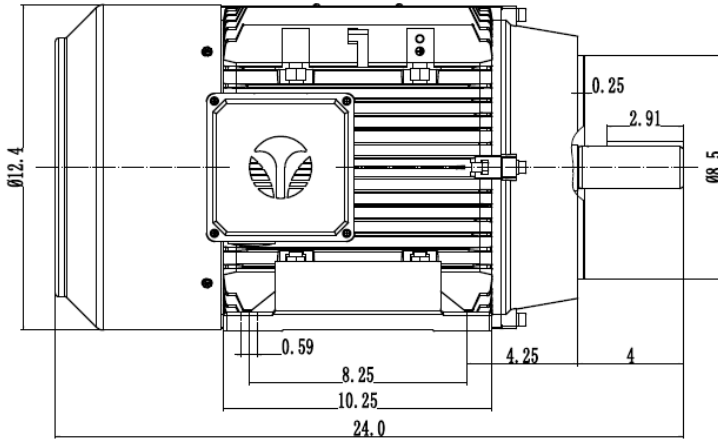
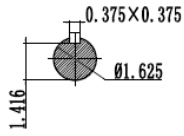
Model Number GX3-AL-TF-254TC-6-B-D-7.5-230|460-60

MFG PN T254T7.5U6B

List Price --

Base Frame GX-254TC-AL-TF

FRAME: HP: RPM: PHASE: VOLT: ENCL: FREQ: FLA: LRA:



MODEL: NEMA254TC
REV.DESC:

SCALE: 1:3.5
VERSION:

DATE:
REVISED:

UNITS:
BY:

WWW.TECHTOP.COM

Techtop Industries -2815 Colonnades Court - Peachtree Corners, GA 30071 - Phone: (678) 436-5540