



Model Number GX3-AL-TF-254TC-4-B-D-15-230|460-60

MFG PN T254T15U4B

List Price --

All data shown at HIGH voltage setting

Format STD 3 Phase

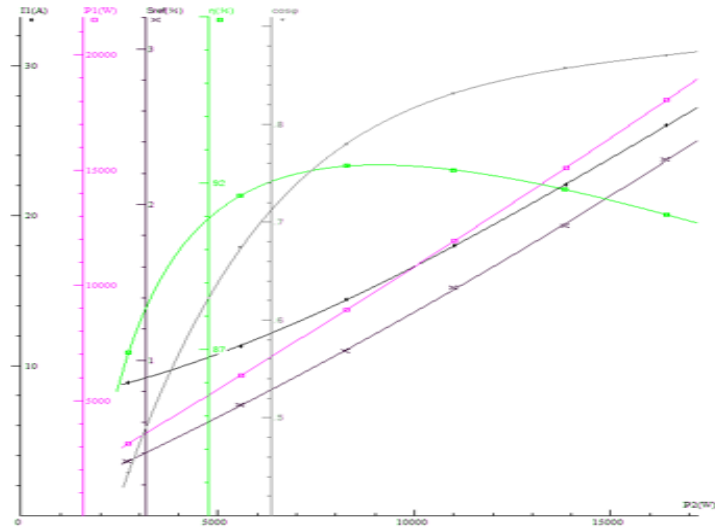
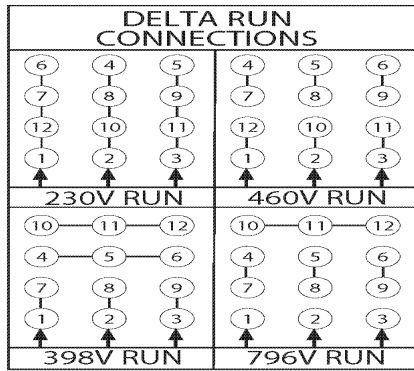
Electrical Data		General Data	
Rated Motor Output Power	15 HP	Frame Size	254
Rated Motor Speed	1770 r/min	Enclosure	TEFC
Rated Motor Voltage (3 Phase)	230 460-60 Volts - HZ	Approximate Weight	197.12
Rated Motor Current	36.0/18.0 Amps	NEMA Design	A
Service Factor	1.25	IP Rating	55
KVA Code	K	Insulation Class	F
Nominal Efficiency	92.4 %	Tropicalization	YES
Nominal Power Factor	0.83 cosθ	Duty	Cont.
Full Load Torque Ft-Lb	43.7264032 Ft-Lb	Cable Entry	1.25
Temp Rise @ Full Load °C	36	Feet Removable	YES
Efficiency Level	IE3 - NEMA Premium	Double Drilled	NO

Load Data	RPM	Trq %FL	Current Amps	Mechanical Data	
Locked Rotor	-	271	173.1	Rated Ambient (°C)	40
Breakdown	-	353	-	Rated Altitude (M)	1000
Pull Up	-	152	-	Coating	7024 - Graphite Grey
125% of FL	1766.5	-	21.939	Shaft Grounding	Yes
75% of FL	1780.8	-	14.361	Brake Voltage (DC)	--
50% of FL	1787.4	-	11.279	Brake Torque (N-M)	--
No Load	--	-	8.074		

Hazardous Location	Class 1, Div 2, Grp A,B,C,D			Bearing DE Side	6309 C3
				Bearing NDE Side	6309 C3
				Moment of Inertia	-- kg.m2
				Noise Level	Per NEMA dB (A)

CT VFD Range	--	Loaded Torque Curves	
<p>P1 = INPUT POWER (KW), S = Slip (% of Sync RPM), η = Efficiency (%), cosφ = Power Factor</p>			

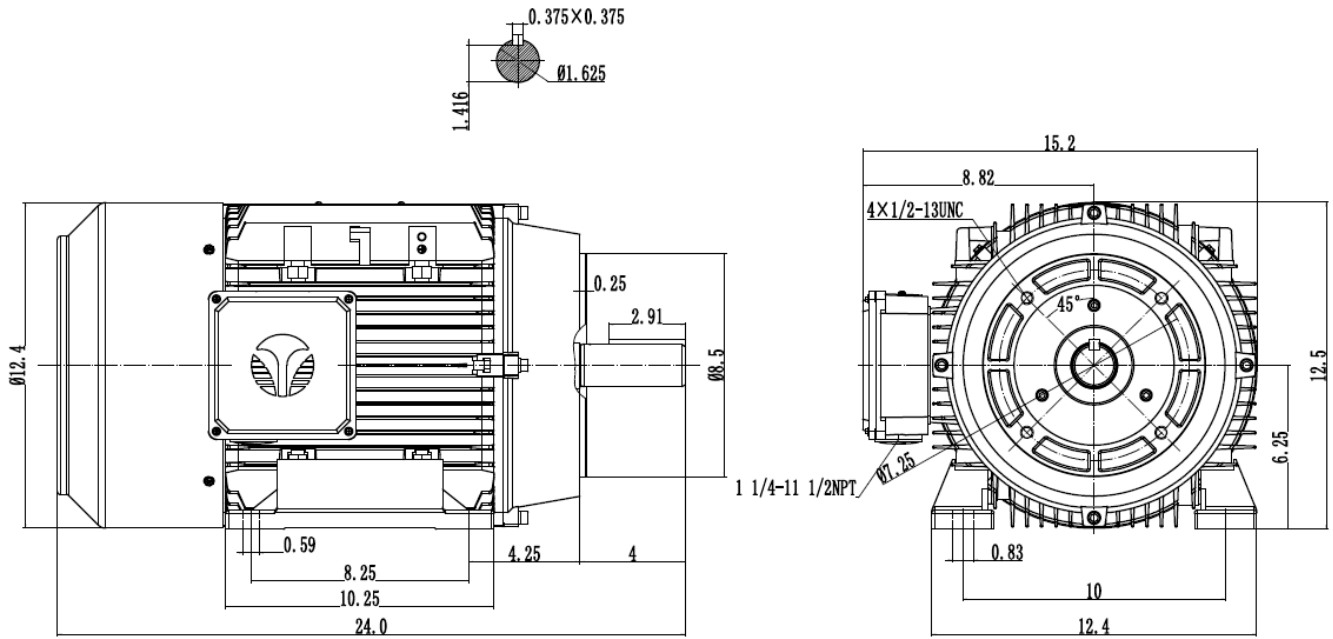
Certifications	UL	CSA	DOE
File Numbers	323353	224693	096A
Wiring Diagram	3PH 12 Lead Dual Voltage		





Model Number	GX3-AL-TF-254TC-4-B-D-15-230 460-60
MFG PN	T254T15U4B
List Price	--
Base Frame	GX-254TC-AL-TF

FRAME:	HP:	RPM:	PHASE:	VOLT:	ENCL:	FREQ:	FLA:	LRA:
--------	-----	------	--------	-------	-------	-------	------	------



MODEL: NEMA254TC
 REV.DESC:

SCALE: 1:3.5
 VERSION:

DATE:
 REVISED:

UNITS:
 BY:

WWW.TECHTOP.COM

Techtop Industries -2815 Colonnades Court - Peachtree Corners, GA 30071 - Phone: (678) 436-5540