



**Model Number** GX3-AL-TF-254TC-2-B-D-15-230|460-60

**MFG PN** T254T15U2B

**List Price** --

All data shown at HIGH voltage setting

Format STD 3 Phase

Electrical Data				General Data	
Rated Motor Output Power	15 HP			Frame Size	254
Rated Motor Speed	3550 r/min			Enclosure	TEFC
Rated Motor Voltage (3 Phase)	230 460-60 Volts - HZ			Approximate Weight	175.12
Rated Motor Current	33.7 16.9 Amps			NEMA Design	A
Service Factor	1.25			IP Rating	55
KVA Code	K			Insulation Class	F
Nominal Efficiency	91 %			Tropicalization	YES
Nominal Power Factor	0.9 cosθ			Duty	Cont.
Full Load Torque Ft-Lb	21.7857536 Ft-Lb			Cable Entry	1.25
Temp Rise @ Full Load °C	48			Feet Removable	YES
Efficiency Level	IE3 - NEMA Premium			Double Drilled	NO
Load Data	RPM	Trq %FL	Current Amps	Rated Ambient (°C)	40
Locked Rotor	-	0	0	Rated Altitude (M)	1000
Breakdown	-	0	-	Coating	7024 - Graphite Grey
Pull Up	-	0	-	Shaft Grounding	Yes
125% of FL	3540.7	-	20.84	Brake Voltage (DC)	--
75% of FL	3566	-	13.03	Brake Torque (N-M)	--
50% of FL	3577.5	-	9.6509	Mechanical Data	
No Load	--	-	5.274	Bearing DE Side	6309 C3
Hazardous Location	Class 1, Div 2, Grp A,B,C,D			Bearing NDE Side	6309 C3
				Moment of Inertia	-- kg.m2
				Noise Level	Per NEMA dB (A)
CT VFD Range		--		Loaded Torque Curves	
				P1 = INPUT POWER (KW), S = Slip (% of Sync RPM), η = Efficiency (%), cosφ = Power Factor	
Certifications	UL	CSA	DOE		
File Numbers	323353	224693	096A		
Wiring Diagram	3PH 12 Lead Dual Voltage				



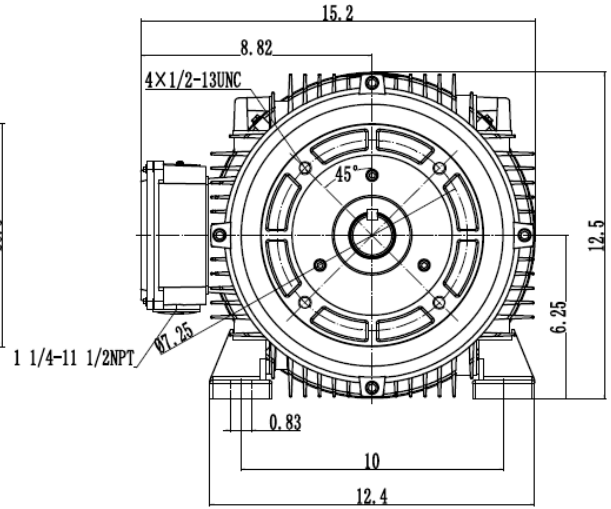
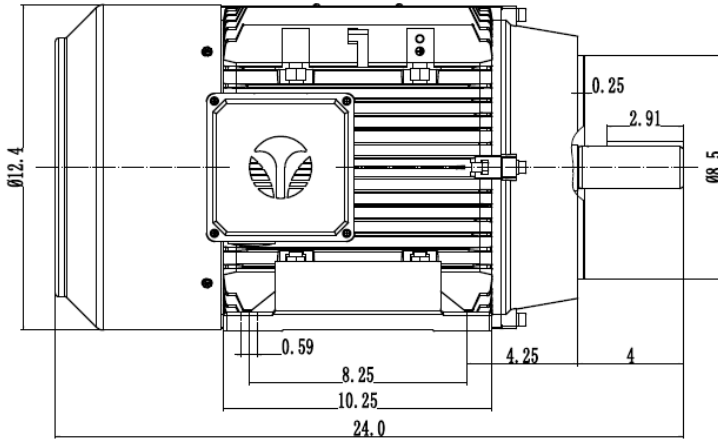
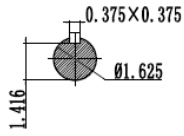
Model Number GX3-AL-TF-254TC-2-B-D-15-230|460-60

MFG PN T254T15U2B

List Price --

Base Frame GX-254TC-AL-TF

FRAME: HP: RPM: PHASE: VOLT: ENCL: FREQ: FLA: LRA:



MODEL: NEMA254TC  
REV.DESC:

SCALE: 1:3.5  
VERSION:

DATE:  
REVISED:

UNITS:  
BY:

WWW.TECHTOP.COM

Techtop Industries -2815 Colonnades Court - Peachtree Corners, GA 30071 - Phone: (678) 436-5540