



**Model Number** GX3-AL-TF-254T-6-B-D-7.5-230|460-60

**MFG PN** T254T7.5U6B

**List Price** --

All data shown at HIGH voltage setting

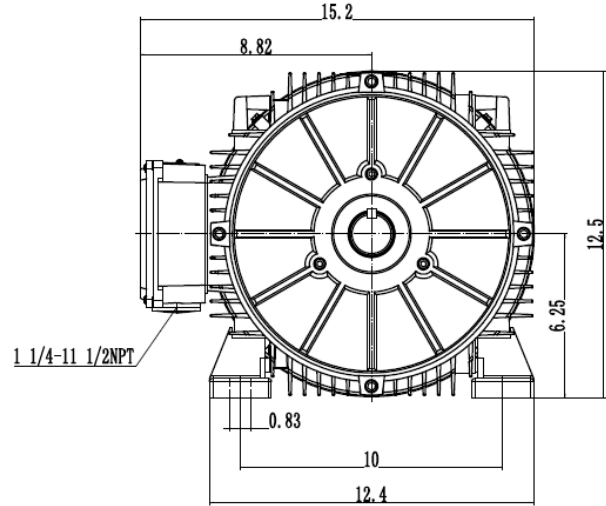
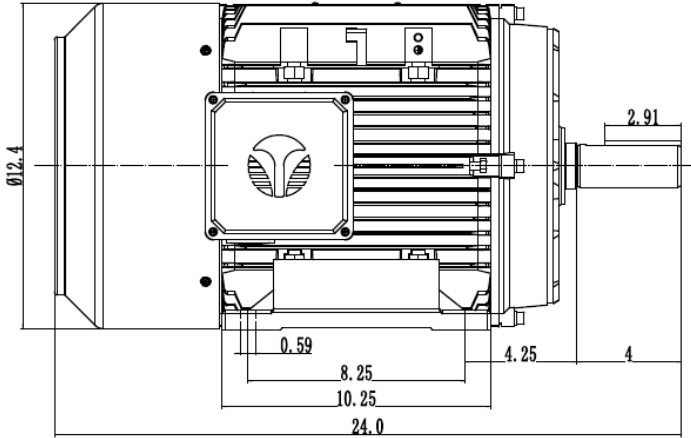
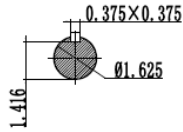
Format | STD 3 Phase

Electrical Data				General Data	
Rated Motor Output Power	7.5 HP			Frame Size	254
Rated Motor Speed	1180 r/min			Enclosure	TEFC
Rated Motor Voltage (3 Phase)	230 460-60 Volts - HZ			Approximate Weight	183.92
Rated Motor Current	21.7 10.8 Amps			NEMA Design	A
Service Factor	1.25			IP Rating	55
KVA Code	N			Insulation Class	F
Nominal Efficiency	91 %			Tropicalization	YES
Nominal Power Factor	0.7 cosθ			Duty	Cont.
Full Load Torque Ft-Lb	32.646176 Ft-Lb			Cable Entry	1.25
Temp Rise @ Full Load °C	23.4			Feet Removable	YES
Efficiency Level	IE3 - NEMA Premium			Double Drilled	NO
Load Data	RPM	Trq %FL	Current Amps	Rated Ambient (°C)	40
Locked Rotor	-	353	106	Rated Altitude (M)	1000
Breakdown	-	452	-	Coating	7024 - Graphite Grey
Pull Up	-	207	-	Shaft Grounding	Yes
125% of FL	1178	-	12.33	Brake Voltage (DC)	--
75% of FL	1188	-	8.86	Brake Torque (N-M)	--
50% of FL	1192	-	7.55	Mechanical Data	
No Load	1199	-	6.36	Bearing DE Side	6309 C3
Hazardous Location	Class 1, Div 2, Grp A,B,C,D			Bearing NDE Side	6309 C3
				Moment of Inertia	-- kg.m2
				Noise Level	Per NEMA dB (A)
CT VFD Range		--		Loaded Torque Curves	
				P1 = INPUT POWER (KW), S = Slip (% of Sync RPM), η = Efficiency (%), cosφ = Power Factor	
Certifications	UL	CSA	DOE		
File Numbers	323353	224693	096A		
Wiring Diagram	3PH 12 Lead Dual Voltage				
<p style="text-align: center;">Techtop Industries -2815 Colonnades Court - Peachtree Corners, GA 30071 - Phone: (678) 436-5540</p>					



Model Number	GX3-AL-TF-254T-6-B-D-7.5-230 460-60
MFG PN	T254T7.5U6B
List Price	--
Base Frame	GX-254T-AL-TF

FRAME:	HP:	RPM:	PHASE:	VOLT:	ENCL:	FREQ:	FLA:	LRA:
--------	-----	------	--------	-------	-------	-------	------	------



MODEL: NEMA254T  
 REV.DESC:

SCALE: 1:3.5  
 VERSION:

DATE:  
 REVISED:

UNITS:  
 BY:

WWW.TECHTOP.COM

Techtop Industries -2815 Colonnades Court - Peachtree Corners, GA 30071 - Phone: (678) 436-5540