



Model Number GX3-AL-TF-215TC-4-B-D-10-230|460-60

MFG PN T215T10U4B

List Price --

All data shown at HIGH voltage setting

Format STD 3 Phase

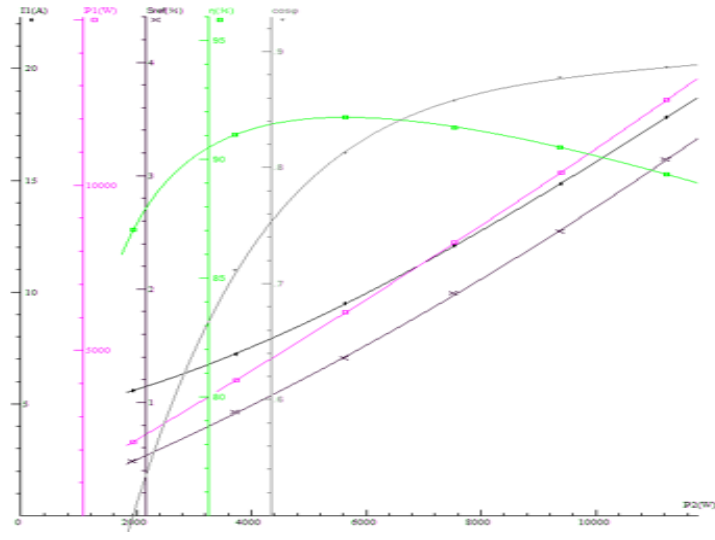
Electrical Data		General Data	
Rated Motor Output Power	10 HP	Frame Size	215
Rated Motor Speed	1760 r/min	Enclosure	TEFC
Rated Motor Voltage (3 Phase)	230 460-60 Volts - HZ	Approximate Weight	178.2
Rated Motor Current	23.9/12.0 Amps	NEMA Design	A
Service Factor	1.25	IP Rating	55
KVA Code	L	Insulation Class	F
Nominal Efficiency	91.7 %	Tropicalization	YES
Nominal Power Factor	0.86 cosθ	Duty	Cont.
Full Load Torque Ft-Lb	29.8956656 Ft-Lb	Cable Entry	1.25
Temp Rise @ Full Load °C	44	Feet Removable	YES
Efficiency Level	IE3 - NEMA Premium	Double Drilled	NO

Load Data	RPM	Trq %FL	Current Amps	Mechanical Data	
Locked Rotor	-	318	123.4	Rated Ambient (°C)	40
Breakdown	-	387	-	Rated Altitude (M)	1000
Pull Up	-	171	-	Coating	7024 - Graphite Grey
125% of FL	1754.7	-	14.833	Shaft Grounding	Yes
75% of FL	1774.8	-	9.4591	Brake Voltage (DC)	--
50% of FL	1733.6	-	7.2718	Brake Torque (N-M)	--
No Load	--	-	4.881		

Hazardous Location	Class 1, Div 2, Grp A,B,C,D			Bearing DE Side	6308ZZ
				Bearing NDE Side	6308ZZ
				Moment of Inertia	-- kg.m2
				Noise Level	Per NEMA dB (A)

CT VFD Range	--	Loaded Torque Curves	--
P1 = INPUT POWER (KW), S = Slip (% of Sync RPM), η = Efficiency (%), cosφ = Power Factor			

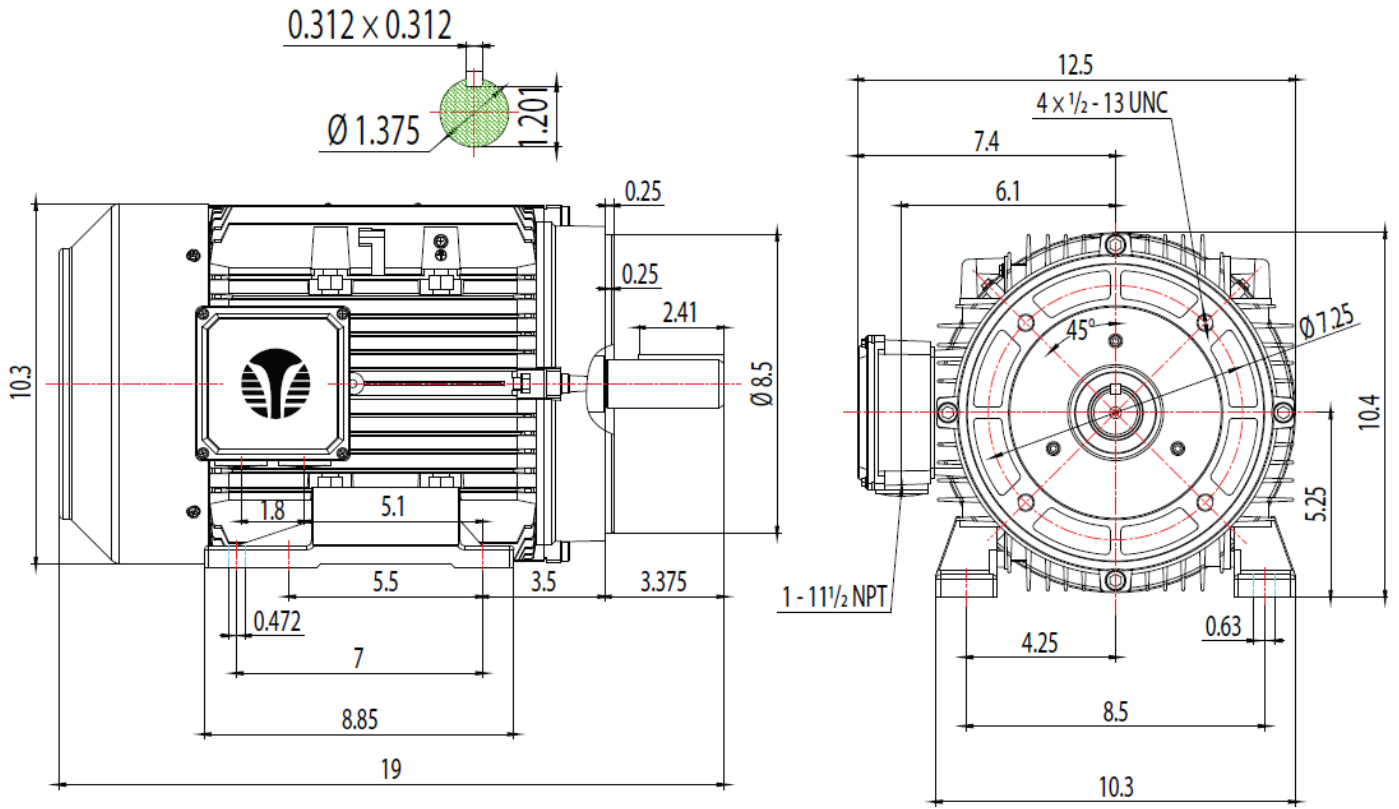
Certifications	UL	CSA	DOE
File Numbers	323353	224693	096A
Wiring Diagram	3PH 12 Lead Dual Voltage		





Model Number	GX3-AL-TF-215TC-4-B-D-10-230 460-60
MFG PN	T215T10U4B
List Price	--
Base Frame	GX-215TC-AL-TF

FRAME: 210TC | HP: | RPM: | PHASE: 3 | VOLT: 208-230/460V | ENCL: TEFC | FREQ: 60 Hz | FLA: | LRA:



TECHTOP
 MATERIAL: ALUMINUM
 UNITS: INCH BY: SSEE
 DRAWN: 12/17/2018
 WWW.TECHTOP.COM

MODEL NUMBER:
GX3-AL-TF-210TC
MFG PN:

REV.	BY	DATE
1		
2		
3		
4		
5		
6		
7		

CHANGES