



**Model Number** GX3-AL-TF-215TC-2-B-D-10-230|460-60

**MFG PN** T215T10U2B

**List Price** --

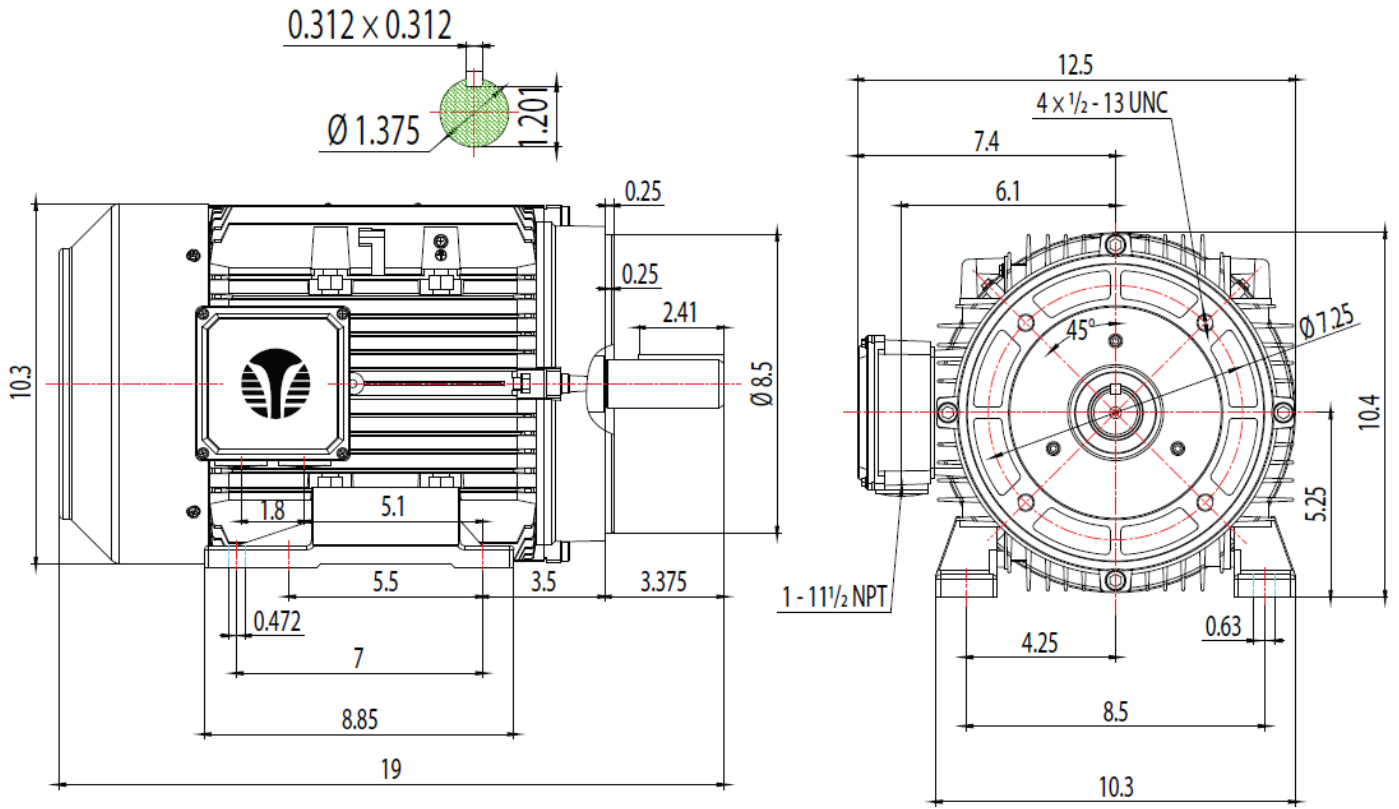
All data shown at HIGH voltage setting

Format STD 3 Phase

Electrical Data				General Data	
Rated Motor Output Power	10 HP			Frame Size	215
Rated Motor Speed	3520 r/min			Enclosure	TEFC
Rated Motor Voltage (3 Phase)	230 460-60 Volts - HZ			Approximate Weight	133.1
Rated Motor Current	22.6/11.3 Amps			NEMA Design	A
Service Factor	1.25			IP Rating	55
KVA Code	L			Insulation Class	F
Nominal Efficiency	90.2 %			Tropicalization	YES
Nominal Power Factor	0.92 cosθ			Duty	Cont.
Full Load Torque Ft-Lb	15.024912 Ft-Lb			Cable Entry	1.25
Temp Rise @ Full Load °C	44			Feet Removable	YES
Efficiency Level	IE3 - NEMA Premium			Double Drilled	NO
Load Data	RPM	Trq %FL	Current Amps	Rated Ambient (°C)	40
Locked Rotor	-	277	113.9	Rated Altitude (M)	1000
Breakdown	-	395	-	Coating	7024 - Graphite Grey
Pull Up	-	154	-	Shaft Grounding	Yes
125% of FL	3501.6	-	14.058	Brake Voltage (DC)	--
75% of FL	3544.9	-	8.6086	Brake Torque (N-M)	--
50% of FL	3563.9	-	6.2058	Mechanical Data	
No Load	--	-	3.031	Bearing DE Side	6308ZZ
Hazardous Location	Class 1, Div 2, Grp A,B,C,D			Bearing NDE Side	6308ZZ
				Moment of Inertia	-- kg.m2
				Noise Level	Per NEMA dB (A)
CT VFD Range		--		Loaded Torque Curves	
				P1 = INPUT POWER (KW), S = Slip (% of Sync RPM), η = Efficiency (%), cosφ = Power Factor	
Certifications	UL	CSA	DOE		
File Numbers	323353	224693	096A		
Wiring Diagram	3PH 12 Lead Dual Voltage				

Model Number	GX3-AL-TF-215TC-2-B-D-10-230 460-60
MFG PN	T215T10U2B
List Price	--
Base Frame	GX-215TC-AL-TF

FRAME: 210TC | HP: | RPM: | PHASE: 3 | VOLT: 208-230/460V | ENCL: TEFC | FREQ: 60 Hz | FLA: | LRA:



**TECHTOP**  
 MATERIAL: ALUMINUM  
 UNITS: INCH BY: SSEE  
 DRAWN: 12/17/2018  
 WWW.TECHTOP.COM

MODEL NUMBER:  
 GX3-AL-TF-210TC  
 MFG PN:

REV.	BY	DATE
1		
2		
3		
4		
5		
6		
7		

CHANGES