



Model Number GX3-AL-TF-215T-6-B-D-5-230|460-60

MFG PN T215T5U6B

List Price --

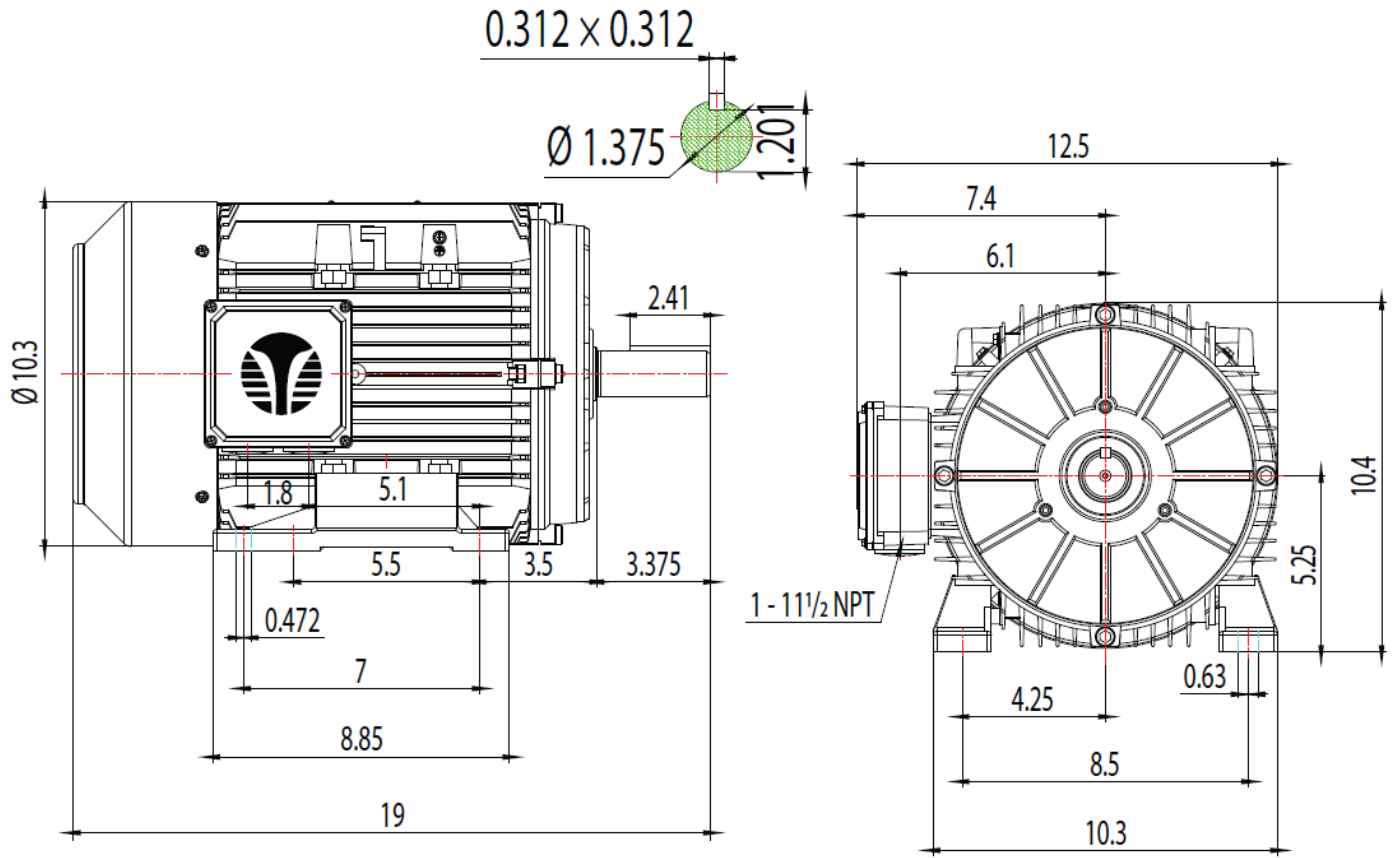
All data shown at HIGH voltage setting

Format | STD 3 Phase

Electrical Data				General Data	
Rated Motor Output Power	5 HP			Frame Size	215
Rated Motor Speed	1170 r/min			Enclosure	TEFC
Rated Motor Voltage (3 Phase)	230 460-60 Volts - HZ			Approximate Weight	--
Rated Motor Current	14.2/7.1 Amps			NEMA Design	A
Service Factor	1.25			IP Rating	55
KVA Code	J			Insulation Class	F
Nominal Efficiency	89.5 %			Tropicalization	YES
Nominal Power Factor	0.76 cosθ			Duty	Cont.
Full Load Torque Ft-Lb	22.3647696 Ft-Lb			Cable Entry	1.25
Temp Rise @ Full Load °C	44			Feet Removable	YES
Efficiency Level	IE3 - NEMA Premium			Double Drilled	NO
Load Data	RPM	Trq %FL	Current Amps	Rated Ambient (°C)	40
Locked Rotor	-	240	48.76	Rated Altitude (M)	1000
Breakdown	-	290	-	Coating	7024 - Graphite Grey
Pull Up	-	186	-	Shaft Grounding	Yes
125% of FL	1164.1	-	8.67	Brake Voltage (DC)	--
75% of FL	1180.6	-	5.807	Brake Torque (N-M)	--
50% of FL	1187.6	-	4.7009	Mechanical Data	
No Load	--	-	3.5	Bearing DE Side	6308ZZ
Hazardous Location	Class 1, Div 2, Grp A,B,C,D			Bearing NDE Side	6308ZZ
				Moment of Inertia	-- kg.m2
				Noise Level	Per NEMA dB (A)
CT VFD Range		--		Loaded Torque Curves	
				P1 = INPUT POWER (KW), S = Slip (% of Sync RPM), η = Efficiency (%), cosφ = Power Factor	
Certifications	UL	CSA	DOE		
File Numbers	323353	224693	096A		
Wiring Diagram	3PH 12 Lead Dual Voltage				
<p style="text-align: center;">Techtop Industries -2815 Colonnades Court - Peachtree Corners, GA 30071 - Phone: (678) 436-5540</p>					

Model Number	GX3-AL-TF-215T-6-B-D-5-230 460-60
MFG PN	T215T5U6B
List Price	--
Base Frame	GX-215T-AL-TF

FRAME: 210T HP: RPM: PHASE: 3 VOLT: 208-230/460V ENCL: TEFC FREQ: 60 Hz FLA: LRA:



TECHTOP
 MATERIAL: ALUMINUM
 UNITS: INCH BY: SSEE
 DRAWN: 12/17/2018
 WWW.TECHTOP.COM

MODEL NUMBER:	REV.	BY	DATE	CHANGES
GX3-AL-TF-210T	1			
MFG PN:	2			
	3			
	4			
	5			
	6			
	7			