



Model Number GX3-AL-TF-213TC-2-B-D-7.5-230|460-60

MFG PN T213T7.5U2B

List Price --

All data shown at HIGH voltage setting

Format STD 3 Phase

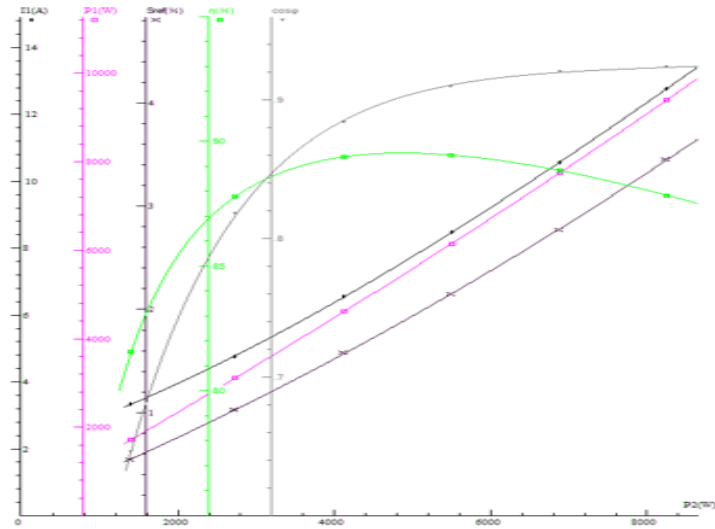
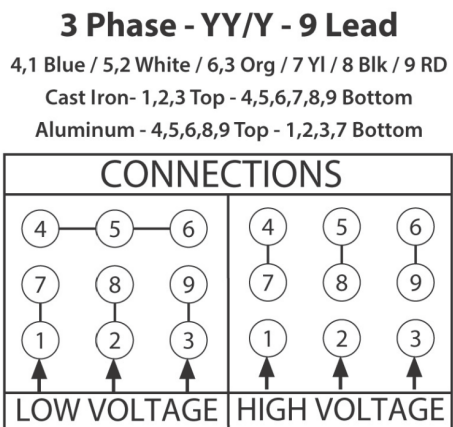
Electrical Data		General Data	
Rated Motor Output Power	7.5 HP	Frame Size	213
Rated Motor Speed	3520 r/min	Enclosure	TEFC
Rated Motor Voltage (3 Phase)	230 460-60 Volts - HZ	Approximate Weight	126.28
Rated Motor Current	17.0/8.48 Amps	NEMA Design	A
Service Factor	1.25	IP Rating	55
KVA Code	K	Insulation Class	F
Nominal Efficiency	89.5 %	Tropicalization	YES
Nominal Power Factor	0.91 cosθ	Duty	Cont.
Full Load Torque Ft-Lb	11.1517744 Ft-Lb	Cable Entry	1.25
Temp Rise @ Full Load °C	44	Feet Removable	YES
Efficiency Level	IE3 - NEMA Premium	Double Drilled	NO

Load Data	RPM	Trq %FL	Current Amps	Mechanical Data	
Locked Rotor	-	257	80.91	Bearing DE Side	6308ZZ
Breakdown	-	365	-	Bearing NDE Side	6308ZZ
Pull Up	-	175	-	Moment of Inertia	kg.m2
125% of FL	3500	-	10.56	Noise Level	Per NEMA dB (A)
75% of FL	3543.4	-	6.5421		
50% of FL	3562.8	-	4.8079		
No Load		-	2.562		

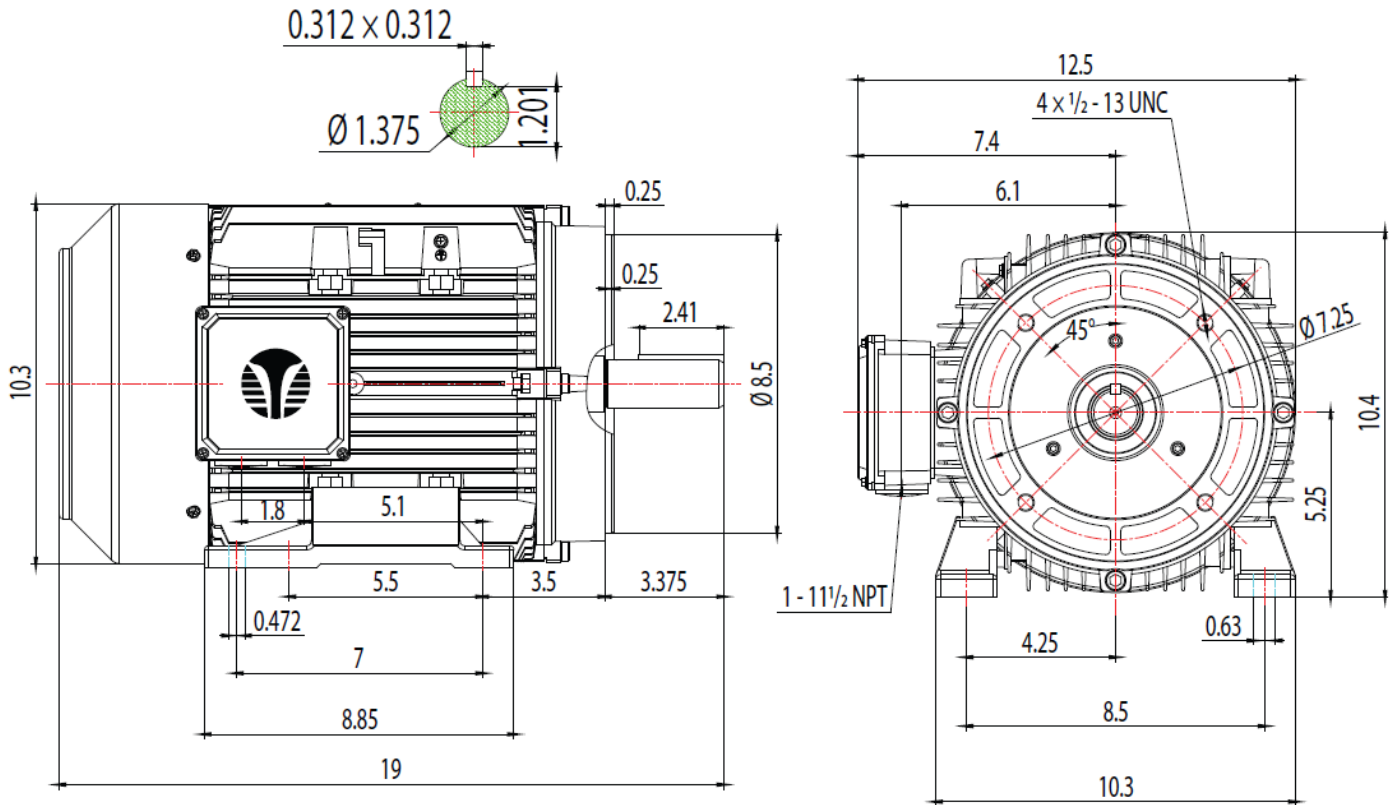
Hazardous Location	Class 1, Div 2, Grp A,B,C,D			Loaded Torque Curves		--		
				$P_1 = \text{INPUT POWER (KW)}$, $S = \text{Slip (\% of Sync RPM)}$, $\eta = \text{Efficiency (\%)}$, $\cos\phi = \text{Power Factor}$				
				CT VFD Range				--
								--

Certifications	UL	CSA	DOE
File Numbers	323353	224693	096A
Wiring Diagram	3PH 9 Lead Dual Voltage		

3 Phase - YY/Y - 9 Lead
 4,1 Blue / 5,2 White / 6,3 Org / 7 Yl / 8 Blk / 9 RD
 Cast Iron- 1,2,3 Top - 4,5,6,7,8,9 Bottom
 Aluminum - 4,5,6,8,9 Top - 1,2,3,7 Bottom



FRAME: 210TC	HP:	RPM:	PHASE: 3	VOLT: 208-230/460V	ENCL: TEFC	FREQ: 60 Hz	FLA:	LRA:
--------------	-----	------	----------	--------------------	------------	-------------	------	------



MODEL NUMBER:
GX3-AL-TF-210TC
MFG PN:

REV.	BY	DATE
1		
2		
3		
4		
5		
6		
7		

CHANGES

MATERIAL: ALUMINUM
UNITS: INCH BY: SSEE
DRAWN: 12/17/2018
WWW.TECHTOP.COM