



Model Number GX3-AL-TF-213T-2-B-D-7.5-230|460-60

MFG PN T213T7.5U2B

List Price --

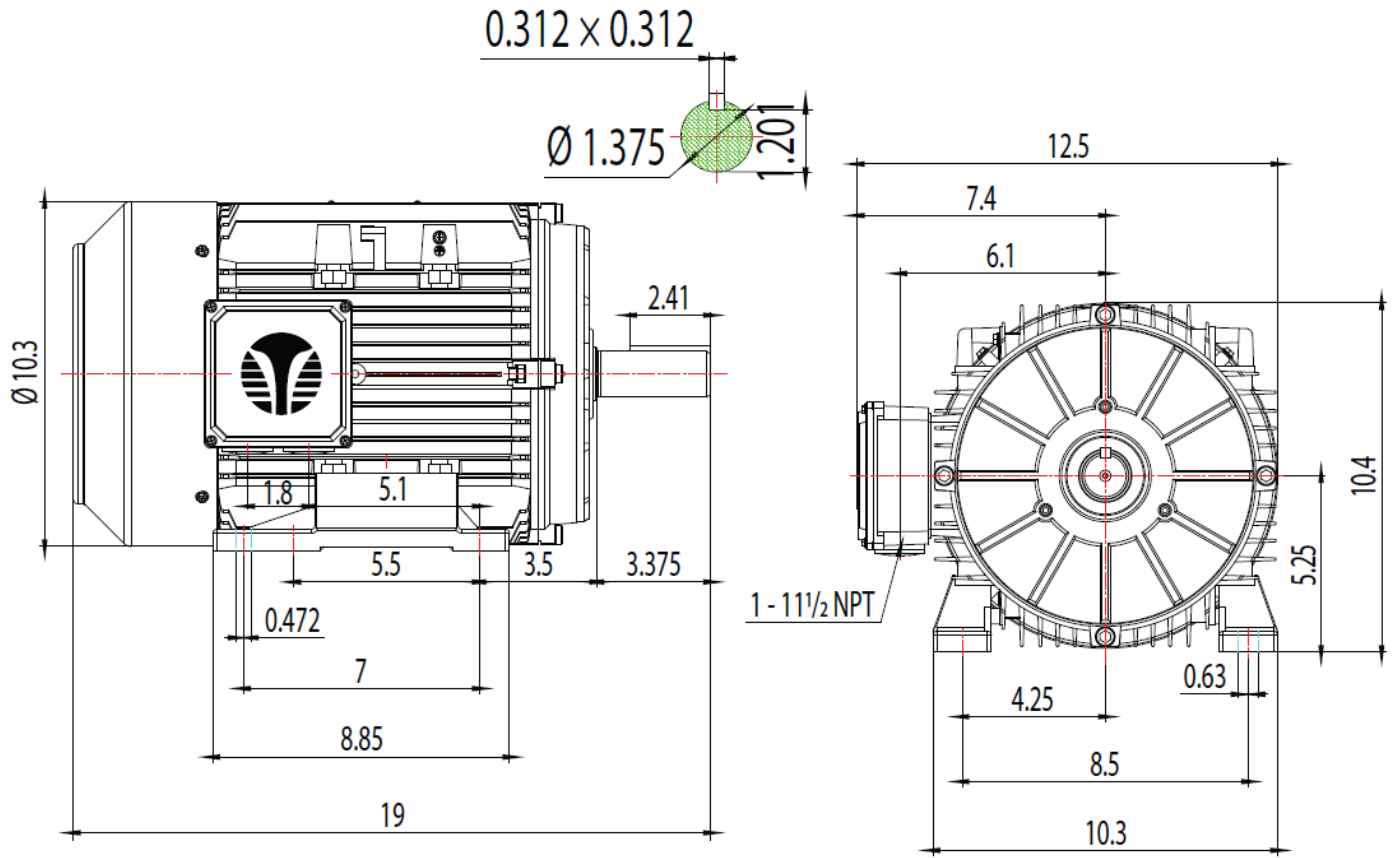
All data shown at HIGH voltage setting


Format | STD 3 Phase

Electrical Data				General Data																													
Rated Motor Output Power	7.5 HP			Frame Size	213																												
Rated Motor Speed	3520 r/min			Enclosure	TEFC																												
Rated Motor Voltage (3 Phase)	230 460-60 Volts - HZ			Approximate Weight	126.28																												
Rated Motor Current	17.0/8.48 Amps			NEMA Design	A																												
Service Factor	1.25			IP Rating	55																												
KVA Code	K			Insulation Class	F																												
Nominal Efficiency	89.5 %			Tropicalization	YES																												
Nominal Power Factor	0.91 cosθ			Duty	Cont.																												
Full Load Torque Ft-Lb	11.1517744 Ft-Lb			Cable Entry	1.25																												
Temp Rise @ Full Load °C	44			Feet Removable	YES																												
Efficiency Level	IE3 - NEMA Premium			Double Drilled	NO																												
Load Data	RPM	Trq %FL	Current Amps	Rated Ambient (°C)	40																												
Locked Rotor	-	257	80.91	Rated Altitude (M)	1000																												
Breakdown	-	365	-	Coating	7024 - Graphite Grey																												
Pull Up	-	175	-	Shaft Grounding	YES																												
125% of FL	3500	-	10.56	Brake Voltage (DC)																													
75% of FL	3543.4	-	6.5421	Brake Torque (N-M)																													
50% of FL	3562.8	-	4.8079	Mechanical Data																													
No Load		-	2.562	Bearing DE Side	6308ZZ																												
Hazardous Location	Class 1, Div 2, Grp A,B,C,D			Bearing NDE Side	6308ZZ																												
				Moment of Inertia	kg.m2																												
				Noise Level	Per NEMA dB (A)																												
CT VFD Range		--		Loaded Torque Curves																													
				P1 = INPUT POWER (KW), S = Slip (% of Sync RPM), η = Efficiency (%), cosφ = Power Factor																													
Certifications	UL	CSA	DOE																														
File Numbers	323353	224693	096A																														
Wiring Diagram	3PH 9 Lead Dual Voltage																																
<p>3 Phase - YY/Y - 9 Lead 4,1 Blue / 5,2 White / 6,3 Org / 7 Yl / 8 Blk / 9 RD Cast Iron- 1,2,3 Top - 4,5,6,7,8,9 Bottom Aluminum - 4,5,6,8,9 Top - 1,2,3,7 Bottom</p> <table border="1"> <thead> <tr> <th colspan="6">CONNECTIONS</th> </tr> </thead> <tbody> <tr> <td>4</td><td>5</td><td>6</td><td>4</td><td>5</td><td>6</td> </tr> <tr> <td>7</td><td>8</td><td>9</td><td>7</td><td>8</td><td>9</td> </tr> <tr> <td>1</td><td>2</td><td>3</td><td>1</td><td>2</td><td>3</td> </tr> <tr> <td colspan="3">LOW VOLTAGE</td> <td colspan="3">HIGH VOLTAGE</td> </tr> </tbody> </table>						CONNECTIONS						4	5	6	4	5	6	7	8	9	7	8	9	1	2	3	1	2	3	LOW VOLTAGE			HIGH VOLTAGE
CONNECTIONS																																	
4	5	6	4	5	6																												
7	8	9	7	8	9																												
1	2	3	1	2	3																												
LOW VOLTAGE			HIGH VOLTAGE																														

Model Number	GX3-AL-TF-213T-2-B-D-7.5-230 460-60
MFG PN	T213T7.5U2B
List Price	--
Base Frame	GX-213T-AL-TF

FRAME: 210T | HP: | RPM: | PHASE: 3 | VOLT: 208-230/460V | ENCL: TEFC | FREQ: 60 Hz | FLA: | LRA:



 MATERIAL: ALUMINUM UNITS: INCH BY: SSEE DRAWN: 12/17/2018 WWW.TECHTOP.COM	MODEL NUMBER:	REV.	BY	DATE	CHANGES
	GX3-AL-TF-210T	1			
	MFG PN:	2			
		3			
		4			
		5			
		6			
	7				