



Model Number GX3-AL-TF-184TC-4-B-D-5-230|460-60

MFG PN T184T5U4B

List Price --

All data shown at HIGH voltage setting

Format STD 3 Phase

Electrical Data		General Data	
Rated Motor Output Power	5 HP	Frame Size	184
Rated Motor Speed	1750 r/min	Enclosure	TEFC
Rated Motor Voltage (3 Phase)	230 460-60 Volts - HZ	Approximate Weight	78.1
Rated Motor Current	12.4/6.18 Amps	NEMA Design	A
Service Factor	1.25	IP Rating	55
KVA Code	L	Insulation Class	F
Nominal Efficiency	89.5 %	Tropicalization	YES
Nominal Power Factor	0.84 cosθ	Duty	Cont.
Full Load Torque Ft-Lb	14.8604272 Ft-Lb	Cable Entry	1.25
Temp Rise @ Full Load °C	37	Feet Removable	YES
Efficiency Level	IE3 - NEMA Premium	Double Drilled	NO

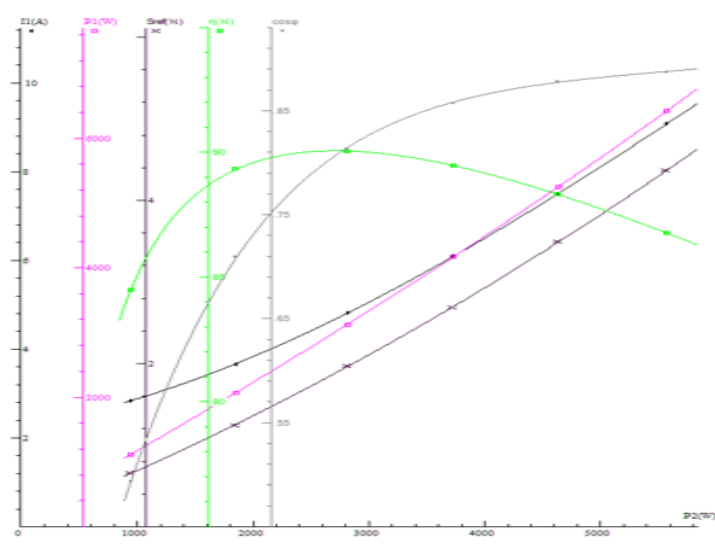
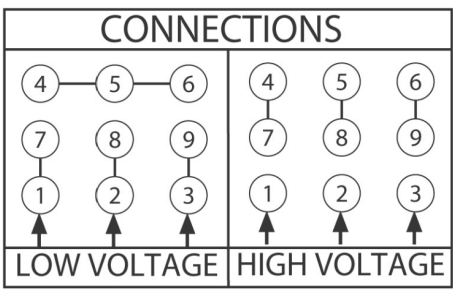
Load Data	RPM	Trq %FL	Current Amps	Mechanical Data	
Locked Rotor	-	281	52.98	Bearing DE Side	6306ZZ
Breakdown	-	345	-	Bearing NDE Side	6306ZZ
Pull Up	-	190	-	Moment of Inertia	-- kg.m2
125% of FL	1737.4	-	7.4907	Noise Level	Per NEMA dB (A)
75% of FL	1765.2	-	4.7632		
50% of FL	1777.4	-	3.6736		
No Load	--	-	2.512		

Hazardous Location	Class 1, Div 2, Grp A,B,C,D			Loaded Torque Curves		--		
				$P_1 = \text{INPUT POWER (KW)}$, $S = \text{Slip (\% of Sync RPM)}$, $\eta = \text{Efficiency (\%)}$, $\cos\phi = \text{Power Factor}$				
				CT VFD Range		--		

Certifications	UL	CSA	DOE
File Numbers	323353	224693	096A

Wiring Diagram 3PH 9 Lead Dual Voltage

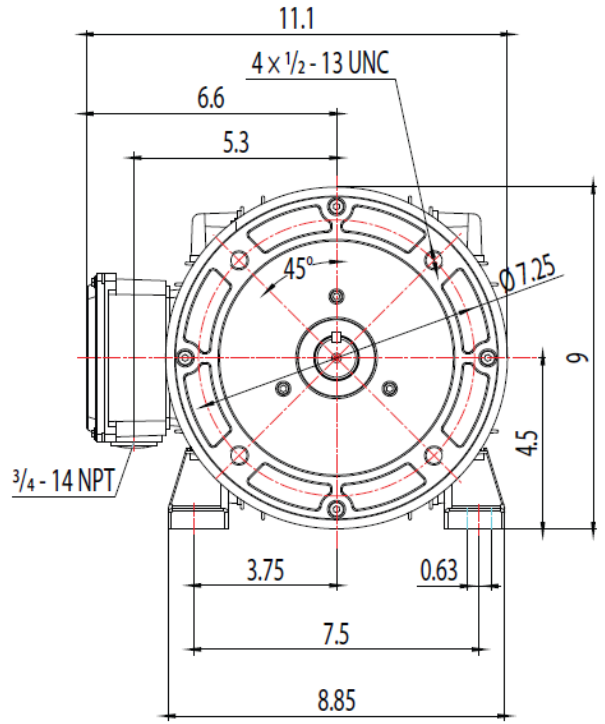
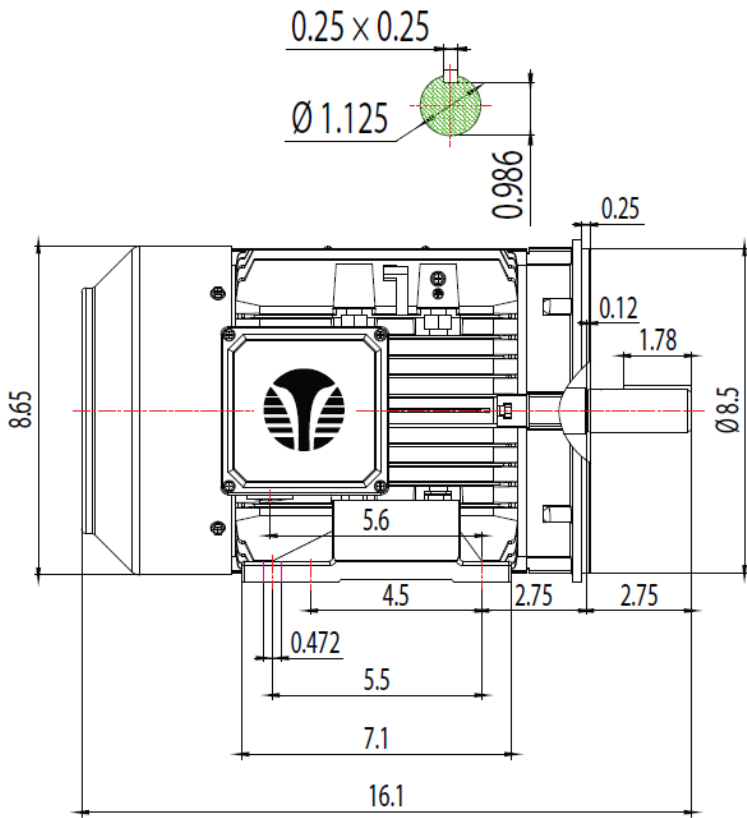
3 Phase - YY/Y - 9 Lead
 4,1 Blue / 5,2 White / 6,3 Org / 7 Yl / 8 Blk / 9 RD
 Cast Iron- 1,2,3 Top - 4,5,6,7,8,9 Bottom
 Aluminum - 4,5,6,8,9 Top - 1,2,3,7 Bottom





Model Number	GX3-AL-TF-184TC-4-B-D-5-230 460-60
MFG PN	T184T5U4B
List Price	--
Base Frame	GX-184TC-AL-TF

FRAME: 180TC	HP:	RPM:	PHASE: 3	VOLT: 208-230/460V	ENCL: TEFC	FREQ: 60 Hz	FLA:	LRA:
--------------	-----	------	----------	--------------------	------------	-------------	------	------



TECHTOP
 MATERIAL: ALUMINUM
 UNITS: INCH BY: SSEE
 DRAWN: 11/16/2018
 WWW.TECHTOP.COM

MODEL NUMBER:	REV.	BY	DATE	CHANGES
GX3-AL-TF-180TC	1			
MFG PN:	2			
	3			
	4			
	5			
	6			
	7			