



| | |
|---------------------|------------------------------------|
| Model Number | GX3-AL-TF-182TC-4-B-D-3-230 460-60 |
| MFG PN | T182T3U4B |
| List Price | -- |

All data shown at HIGH voltage setting

Format STD 3 Phase

| Electrical Data | | General Data | |
|-------------------------------|-----------------------|--------------------|-------|
| Rated Motor Output Power | 3 HP | Frame Size | 182 |
| Rated Motor Speed | 1760 r/min | Enclosure | TEFC |
| Rated Motor Voltage (3 Phase) | 230 460-60 Volts - HZ | Approximate Weight | 64.9 |
| Rated Motor Current | 7.62/3.81 Amps | NEMA Design | A |
| Service Factor | 1.25 | IP Rating | 55 |
| KVA Code | L | Insulation Class | F |
| Nominal Efficiency | 89.5 % | Tropicalization | YES |
| Nominal Power Factor | 0.81 cosθ | Duty | Cont. |
| Full Load Torque Ft-Lb | 8.8076816 Ft-Lb | Cable Entry | 1.25 |
| Temp Rise @ Full Load °C | 25 | Feet Removable | YES |
| Efficiency Level | IE3 - NEMA Premium | Double Drilled | NO |

| Load Data | RPM | Trq %FL | Current Amps | Mechanical Data | |
|--------------|--------|---------|--------------|-------------------|-----------------|
| Locked Rotor | - | 259 | 37.74 | Bearing DE Side | 6306ZZ |
| Breakdown | - | 421 | - | Bearing NDE Side | 6306ZZ |
| Pull Up | - | 248 | - | Moment of Inertia | -- kg.m2 |
| 125% of FL | 1751.3 | - | 4.5586 | Noise Level | Per NEMA dB (A) |
| 75% of FL | 1772.4 | - | 3.0909 | | |
| 50% of FL | 1791 | - | 2.0599 | | |
| No Load | -- | - | 1.949 | | |

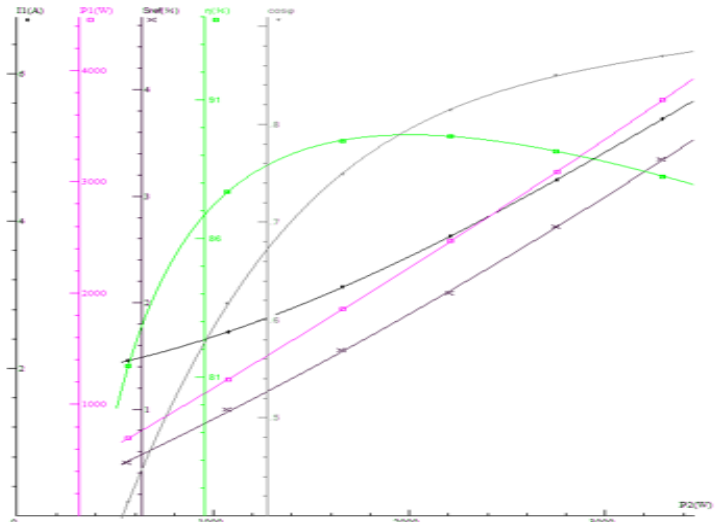
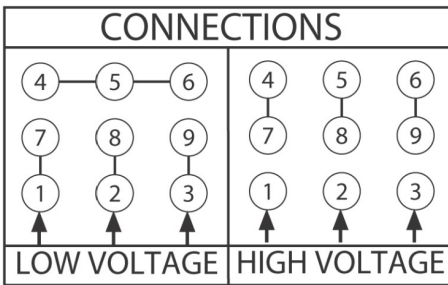
| | | | | | |
|--------------------|-----------------------------|--|--|----------------------|--|
| Hazardous Location | Class 1, Div 2, Grp A,B,C,D | | | Loaded Torque Curves | |
|--------------------|-----------------------------|--|--|----------------------|--|

| | | | | | |
|--------------|----|--|--|--|--|
| CT VFD Range | -- | $P1 = \text{INPUT POWER (KW)}$, $S = \text{Slip (\% of Sync RPM)}$, $\eta = \text{Efficiency (\%)}$, $\cos\phi = \text{Power Factor}$ | | | |
|--------------|----|--|--|--|--|

| | | | |
|----------------|--------|--------|------|
| Certifications | UL | CSA | DOE |
| File Numbers | 323353 | 224693 | 096A |

Wiring Diagram 3PH 9 Lead Dual Voltage

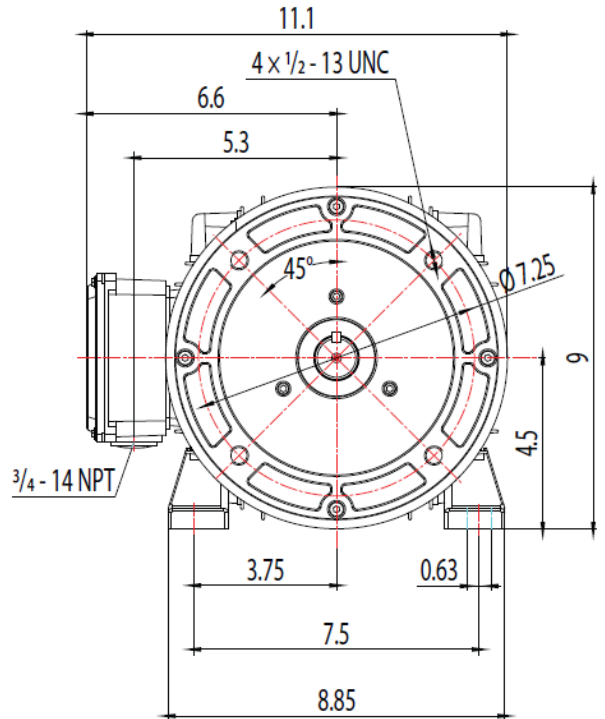
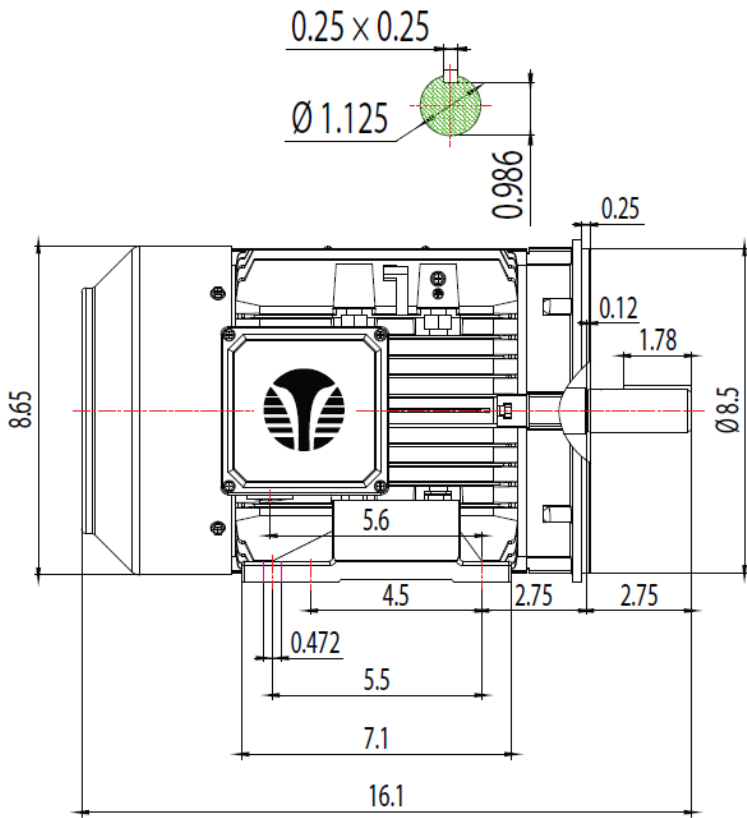
3 Phase - YY/Y - 9 Lead
 4,1 Blue / 5,2 White / 6,3 Org / 7 Yl / 8 Blk / 9 RD
 Cast Iron- 1,2,3 Top - 4,5,6,7,8,9 Bottom
 Aluminum - 4,5,6,8,9 Top - 1,2,3,7 Bottom





| | |
|--------------|------------------------------------|
| Model Number | GX3-AL-TF-182TC-4-B-D-3-230 460-60 |
| MFG PN | T182T3U4B |
| List Price | -- |
| Base Frame | GX-182TC-AL-TF |

| | | | | | | | | |
|--------------|-----|------|----------|--------------------|------------|-------------|------|------|
| FRAME: 180TC | HP: | RPM: | PHASE: 3 | VOLT: 208-230/460V | ENCL: TEFC | FREQ: 60 Hz | FLA: | LRA: |
|--------------|-----|------|----------|--------------------|------------|-------------|------|------|



TECHTOP
 MATERIAL: ALUMINUM
 UNITS: INCH BY: SSEE
 DRAWN: 11/16/2018
 WWW.TECHTOP.COM

| MODEL NUMBER: | REV. | BY | DATE |
|-----------------|------|----|------|
| GX3-AL-TF-180TC | 1 | | |
| MFG PN: | 2 | | |
| | 3 | | |
| | 4 | | |
| | 5 | | |
| | 6 | | |
| | 7 | | |

| CHANGES |
|---------|
| |
| |
| |
| |
| |
| |
| |
| |