



Model Number GX3-AL-TF-182T-6-B-D-1.5-230|460-60

MFG PN TFC182T1.5U6B

List Price --

All data shown at HIGH voltage setting

Format STD 3 Phase

Electrical Data		General Data	
Rated Motor Output Power	1.5 HP	Frame Size	182
Rated Motor Speed	1175 r/min	Enclosure	TEFC
Rated Motor Voltage (3 Phase)	230 460-60 Volts - HZ	Approximate Weight	93.5
Rated Motor Current	4.8/2.4 Amps	NEMA Design	B
Service Factor	1.25	IP Rating	55
KVA Code	L	Insulation Class	F
Nominal Efficiency	87.5 %	Tropicalization	YES
Nominal Power Factor	0.66 cosθ	Duty	Cont.
Full Load Torque Ft-Lb	6.616272 Ft-Lb	Cable Entry	1.25
Temp Rise @ Full Load °C	20.7	Feet Removable	YES
Efficiency Level	IE3 - NEMA Premium	Double Drilled	NO

Load Data	RPM	Trq %FL	Current Amps	Mechanical Data	
Locked Rotor	-	256	17.12	Rated Ambient (°C)	40
Breakdown	-	362	-	Rated Altitude (M)	1000
Pull Up	-	196	-	Coating	7024 - Graphite Grey
125% of FL	1173	-	2.7	Shaft Grounding	NO
75% of FL	1185	-	2	Brake Voltage (DC)	
50% of FL	1190	-	1.83	Brake Torque (N-M)	
No Load	1199	-	1.62		

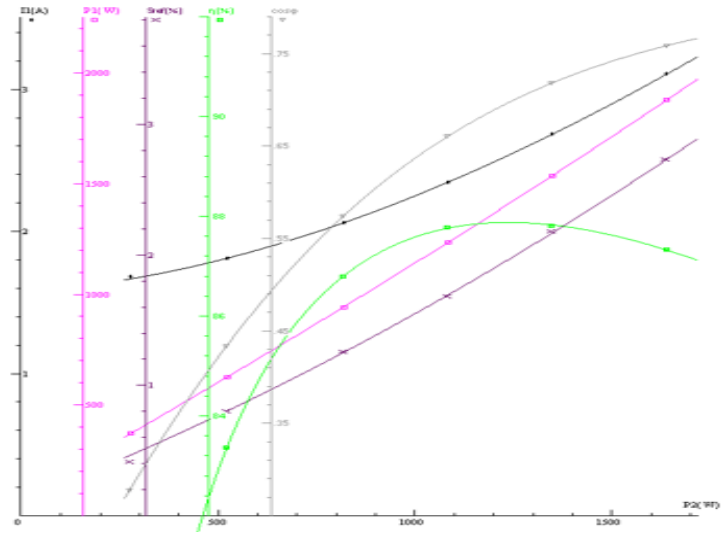
Hazardous Location	Class 1, Div 2, Grp A,B,C,D			Bearing DE Side	6306 ZZ
				Bearing NDE Side	6306 ZZ
				Moment of Inertia	kg.m2
				Noise Level	Per NEMA dB (A)

CT VFD Range	--	Loaded Torque Curves	--
P1 = INPUT POWER (KW), S = Slip (% of Sync RPM), η = Efficiency (%), cosφ = Power Factor			

Certifications	UL	CSA	DOE
File Numbers	323353	224693	096A
Wiring Diagram	3PH 9 Lead Dual Voltage		

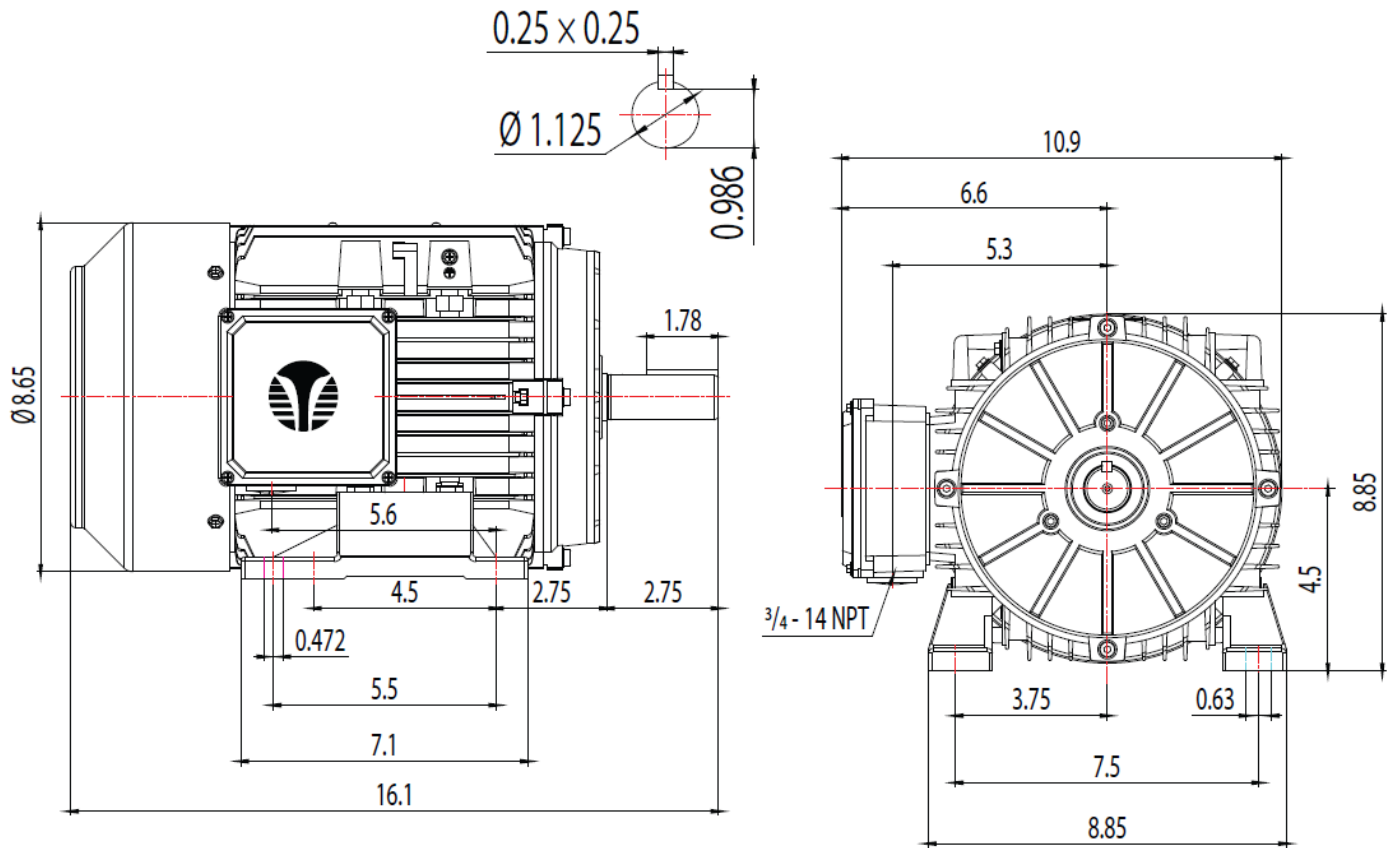
3 Phase - YY/Y - 9 Lead
 4,1 Blue / 5,2 White / 6,3 Org / 7 Yl / 8 Blk / 9 RD
 Cast Iron- 1,2,3 Top - 4,5,6,7,8,9 Bottom
 Aluminum - 4,5,6,8,9 Top - 1,2,3,7 Bottom

CONNECTIONS					
4	5	6	4	5	6
7	8	9	7	8	9
1	2	3	1	2	3
LOW VOLTAGE			HIGH VOLTAGE		



Model Number	GX3-AL-TF-182T-6-B-D-1.5-230 460-60
MFG PN	TFC182T1.5U6B
List Price	--
Base Frame	GX-182T-AL-TF

FRAME: 180T HP: RPM: PHASE: 3 VOLT: 208-230/460V ENCL: TEFC FREQ: 60 Hz FLA: LRA:



TECHTOP
MATERIAL: ALUMINUM
UNITS: INCH BY: SSEE
DRAWN: 11/16/2018
WWW.TECHTOP.COM

MODEL NUMBER:
GX3-AL-TF-180T
MFG PN:

REV.	BY	DATE
1		
2		
3		
4		
5		
6		
7		

CHANGES