



**Model Number** GX3-AL-TF-182T-2-B-D-3-230|460-60

**MFG PN** T182T3U2B

**List Price** --

All data shown at HIGH voltage setting

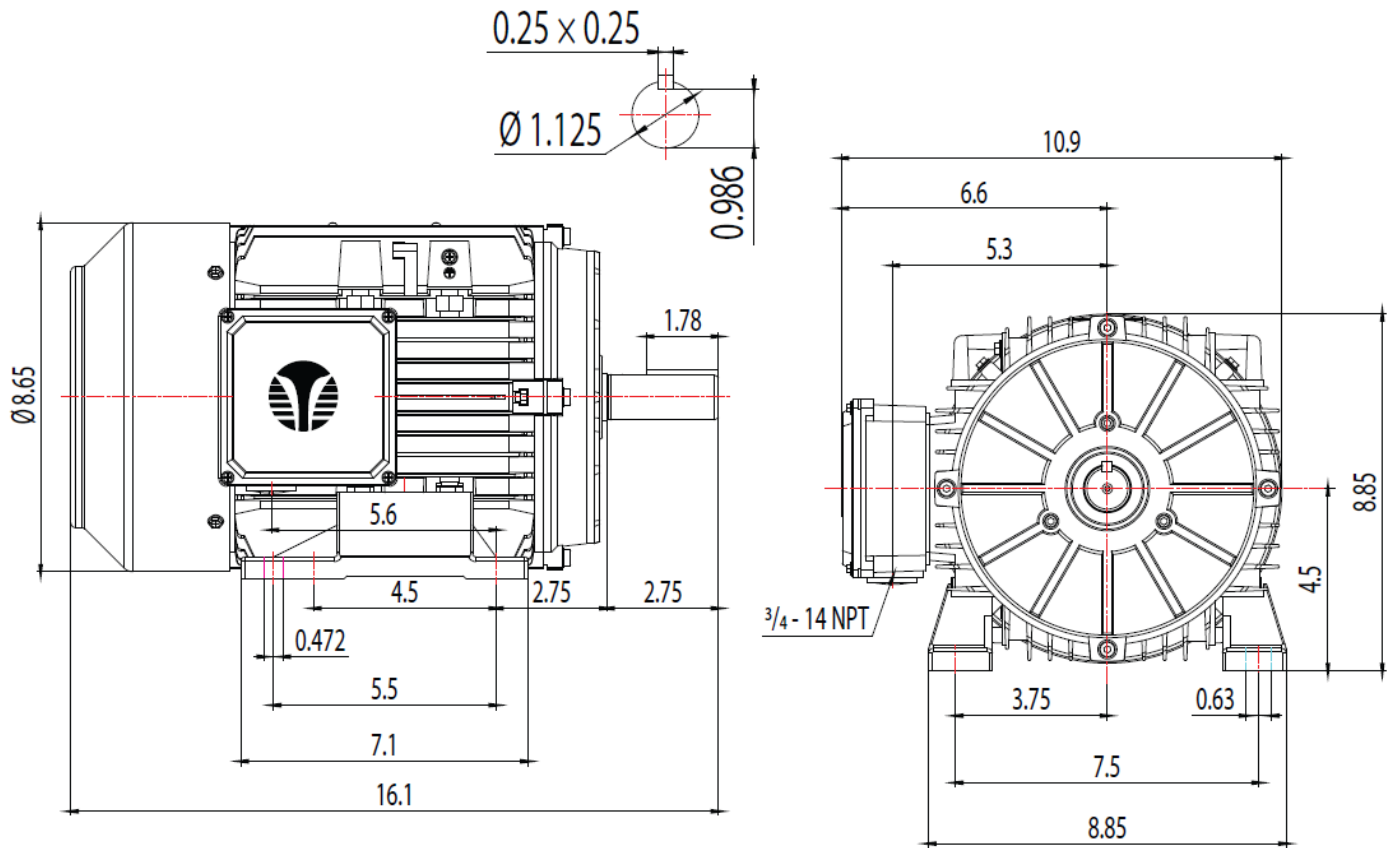
Format | STD 3 Phase

Electrical Data				General Data	
Rated Motor Output Power	3 HP			Frame Size	182
Rated Motor Speed	3515 r/min			Enclosure	TEFC
Rated Motor Voltage (3 Phase)	230 460-60 Volts - HZ			Approximate Weight	60.5
Rated Motor Current	7.17/3.59 Amps			NEMA Design	A
Service Factor	1.25			IP Rating	55
KVA Code	K			Insulation Class	F
Nominal Efficiency	86.5 %			Tropicalization	YES
Nominal Power Factor	0.89 cosθ			Duty	Cont.
Full Load Torque Ft-Lb	4.39004768 Ft-Lb			Cable Entry	1.25
Temp Rise @ Full Load °C	37.2			Feet Removable	YES
Efficiency Level	IE3 - NEMA Premium			Double Drilled	NO
Load Data	RPM	Trq %FL	Current Amps	Rated Ambient (°C)	40
Locked Rotor	-	255	33.29	Rated Altitude (M)	1000
Breakdown	-	356	-	Coating	7024 - Graphite Grey
Pull Up	-	126	-	Shaft Grounding	Yes
125% of FL	3494.4	-	3.9194	Brake Voltage (DC)	--
75% of FL	3540.5	-	2.7895	Brake Torque (N-M)	--
50% of FL	3560.6	-	2.1231	Mechanical Data	
No Load	--	-	1.307	Bearing DE Side	6306ZZ
Hazardous Location	Class 1, Div 2, Grp A,B,C,D			Bearing NDE Side	6306ZZ
				Moment of Inertia	-- kg.m2
				Noise Level	Per NEMA dB (A)
CT VFD Range		--		Loaded Torque Curves	
				P1 = INPUT POWER (KW), S = Slip (% of Sync RPM), η = Efficiency (%), cosφ = Power Factor	
Certifications	UL	CSA	DOE		
File Numbers	323353	224693	096A		
Wiring Diagram	3PH 9 Lead Dual Voltage				
<b>3 Phase - YY/Y - 9 Lead</b> 4,1 Blue / 5,2 White / 6,3 Org / 7 Yl / 8 Blk / 9 RD Cast Iron- 1,2,3 Top - 4,5,6,7,8,9 Bottom Aluminum - 4,5,6,8,9 Top - 1,2,3,7 Bottom					
<b>CONNECTIONS</b> 					



Model Number	GX3-AL-TF-182T-2-B-D-3-230 460-60
MFG PN	T182T3U2B
List Price	--
Base Frame	GX-182T-AL-TF

FRAME: 180T    HP:    RPM:    PHASE: 3    VOLT: 208-230/460V    ENCL: TEFC    FREQ: 60 Hz    FLA:    LRA:



**TECHTOP**  
 MATERIAL: ALUMINUM  
 UNITS: INCH    BY: SSEE  
 DRAWN: 11/16/2018  
 WWW.TECHTOP.COM

MODEL NUMBER:	REV.	BY	DATE	CHANGES
GX3-AL-TF-180T	1			
MFG PN:	2			
	3			
	4			
	5			
	6			
	7			