



**Model Number** GX3-AL-TF-145TC-4-B-D-1.5-230|460-60

**MFG PN** T145T1.5U4B

**List Price** --

All data shown at HIGH voltage setting

Format STD 3 Phase

Electrical Data		General Data	
Rated Motor Output Power	1.5 HP	Frame Size	145
Rated Motor Speed	1740 r/min	Enclosure	TEFC
Rated Motor Voltage (3 Phase)	230 460-60 Volts - HZ	Approximate Weight	36.52
Rated Motor Current	4.36/2.18 Amps	NEMA Design	A
Service Factor	1.25	IP Rating	55
KVA Code	K	Insulation Class	F
Nominal Efficiency	86.5 %	Tropicalization	YES
Nominal Power Factor	0.74 cosθ	Duty	Cont.
Full Load Torque Ft-Lb	3.26432256 Ft-Lb	Cable Entry	1.25
Temp Rise @ Full Load °C	25.3	Feet Removable	YES
Efficiency Level	IE3 - NEMA Premium	Double Drilled	NO

Load Data	RPM	Trq %FL	Current Amps	Mechanical Data	
Locked Rotor	-	311	20.63	Rated Ambient (°C)	40
Breakdown	-	390	-	Rated Altitude (M)	1000
Pull Up	-	309	-	Coating	7024 - Graphite Grey
125% of FL	1738	-	2.87	Shaft Grounding	Yes
75% of FL	1762	-	2.21	Brake Voltage (DC)	--
50% of FL	1775	-	1.91	Brake Torque (N-M)	--
No Load	1796	-	1.65		

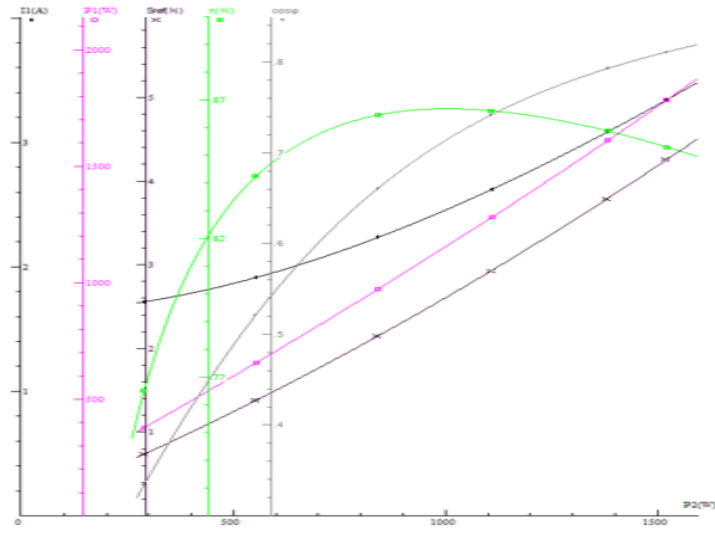
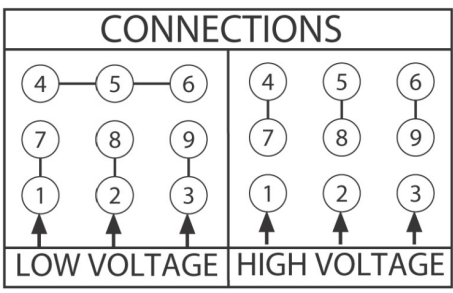
Hazardous Location	Class 1, Div 2, Grp A,B,C,D		Moment of Inertia	-- kg.m2
			Noise Level	Per NEMA dB (A)

CT VFD Range	--	<b>Loaded Torque Curves</b>		--
<b>P1 = INPUT POWER (KW), S = Slip (% of Sync RPM), η = Efficiency (%), cosφ = Power Factor</b>				

Certifications	UL	CSA	DOE
File Numbers	323353	224693	096A

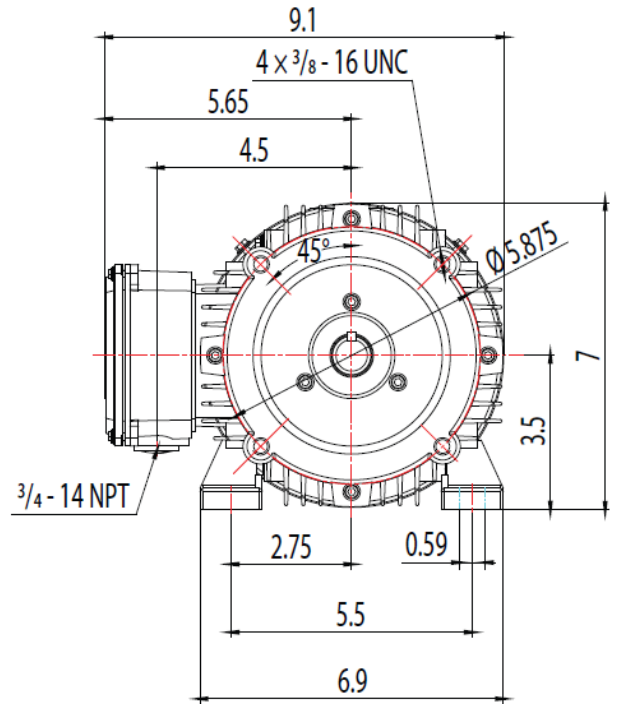
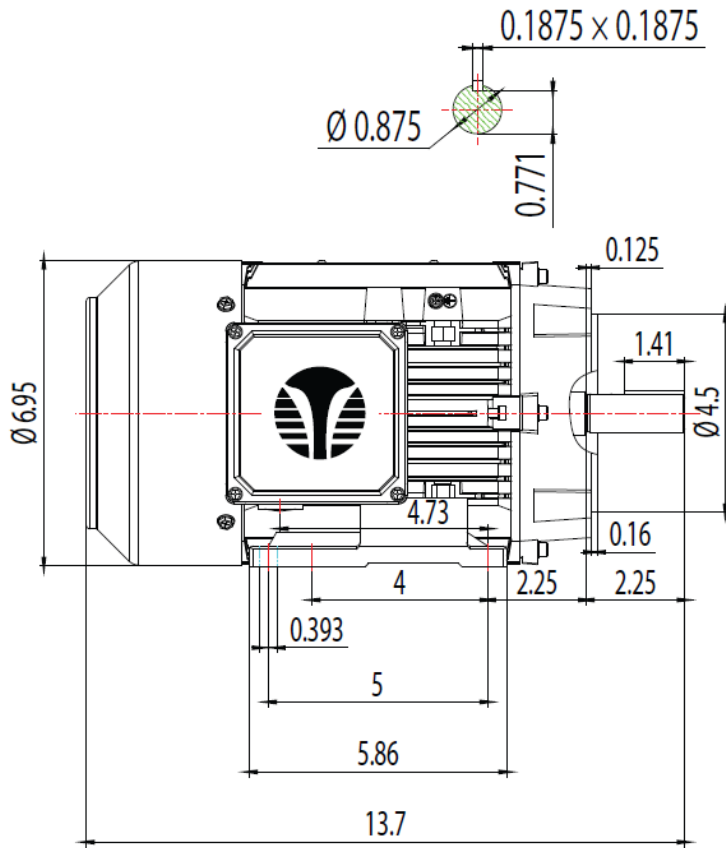
**Wiring Diagram** 3PH 9 Lead Dual Voltage

**3 Phase - YY/Y - 9 Lead**  
 4,1 Blue / 5,2 White / 6,3 Org / 7 Yl / 8 Blk / 9 RD  
 Cast Iron- 1,2,3 Top - 4,5,6,7,8,9 Bottom  
 Aluminum - 4,5,6,8,9 Top - 1,2,3,7 Bottom



Model Number	GX3-AL-TF-145TC-4-B-D-1.5-230 460-60
MFG PN	T145T1.5U4B
List Price	--
Base Frame	GX-145TC-AL-TF

FRAME: 140TC | HP: | RPM: | PHASE: 3 | VOLT: 208-230/460V | ENCL: TEFC | FREQ: 60 Hz | FLA: | LRA:



MODEL NUMBER:  
GX3-AL-TF-140TC  
MFG PN:

REV.	BY	DATE
1		
2		
3		
4		
5		
6		
7		

CHANGES

MATERIAL: ALUMINUM  
UNITS: INCH BY: SSEE  
DRAWN: 11/16/2018  
WWW.TECHTOP.COM