



Model Number GX3-AL-TF-145TC-2-B-D-2-230|460-60

MFG PN T145T2U2B

List Price --

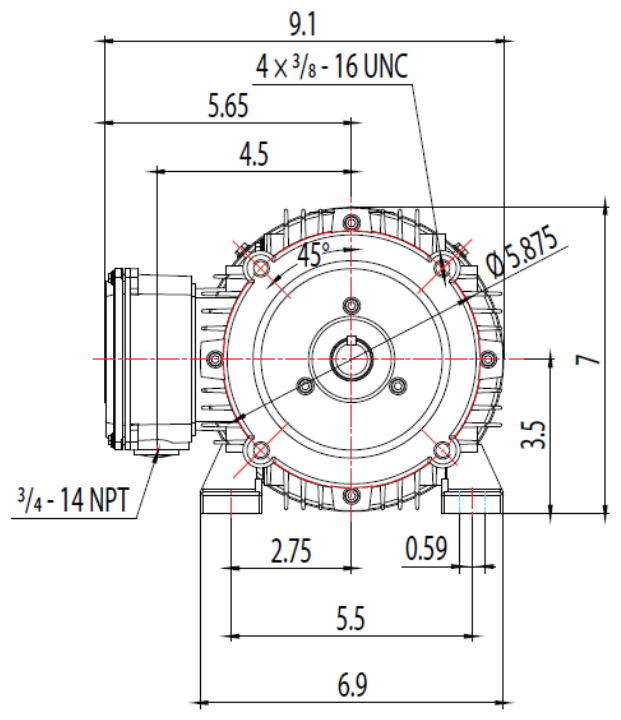
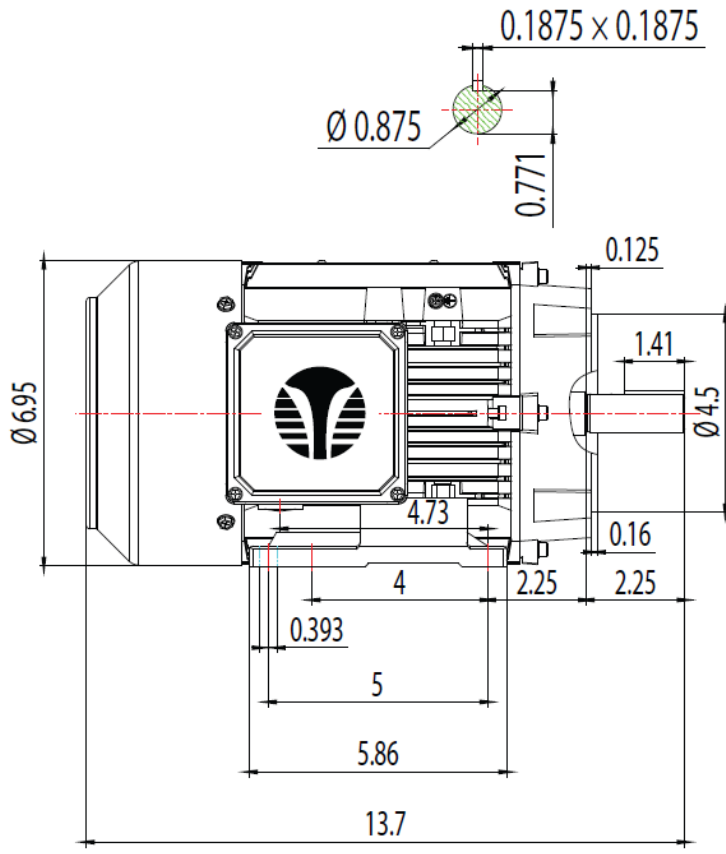
All data shown at HIGH voltage setting


Format | STD 3 Phase

Electrical Data				General Data	
Rated Motor Output Power	2 HP			Frame Size	145
Rated Motor Speed	3500 r/min			Enclosure	TEFC
Rated Motor Voltage (3 Phase)	230 460-60 Volts - HZ			Approximate Weight	31.57
Rated Motor Current	5.18/2.59 Amps			NEMA Design	A
Service Factor	1.25			IP Rating	55
KVA Code	L			Insulation Class	F
Nominal Efficiency	85.5 %			Tropicalization	YES
Nominal Power Factor	0.85 cosθ			Duty	Cont.
Full Load Torque Ft-Lb	3.031536 Ft-Lb			Cable Entry	1.25
Temp Rise @ Full Load °C	39.4			Feet Removable	YES
Efficiency Level	IE3 - NEMA Premium			Double Drilled	NO
Load Data	RPM	Trq %FL	Current Amps	Rated Ambient (°C)	40
Locked Rotor	-	294	23.6	Rated Altitude (M)	1000
Breakdown	-	332	-	Coating	7024 - Graphite Grey
Pull Up	-	202	-	Shaft Grounding	Yes
125% of FL	3481	-	3.13	Brake Voltage (DC)	--
75% of FL	3534	-	2	Brake Torque (N-M)	--
50% of FL	3556	-	1.68	Mechanical Data	
No Load	3591	-	1.28	Bearing DE Side	6205ZZ
Hazardous Location	Class 1, Div 2, Grp A,B,C,D			Bearing NDE Side	6205ZZ
				Moment of Inertia	-- kg.m2
				Noise Level	Per NEMA dB (A)
CT VFD Range		--		Loaded Torque Curves	
				P1 = INPUT POWER (KW), S = Slip (% of Sync RPM), η = Efficiency (%), cosφ = Power Factor	
Certifications	UL	CSA	DOE		
File Numbers	323353	224693	096A		
Wiring Diagram	3PH 9 Lead Dual Voltage				
3 Phase - YY/Y - 9 Lead 4,1 Blue / 5,2 White / 6,3 Org / 7 Yl / 8 Blk / 9 RD Cast Iron- 1,2,3 Top - 4,5,6,7,8,9 Bottom Aluminum - 4,5,6,8,9 Top - 1,2,3,7 Bottom					
CONNECTIONS					
LOW VOLTAGE		HIGH VOLTAGE			

Model Number	GX3-AL-TF-145TC-2-B-D-2-230 460-60
MFG PN	T145T2U2B
List Price	--
Base Frame	GX-145TC-AL-TF

FRAME: 140TC | HP: | RPM: | PHASE: 3 | VOLT: 208-230/460V | ENCL: TEFC | FREQ: 60 Hz | FLA: | LRA:



 MATERIAL: ALUMINUM UNITS: INCH BY: SSEE DRAWN: 11/16/2018 WWW.TECHTOP.COM	MODEL NUMBER:	REV.	BY	DATE	CHANGES
	GX3-AL-TF-140TC	1			
	MFG PN:	2			
		3			
		4			
		5			
		6			
	7				