



Model Number GX3-AL-TF-145T-4-B-D-2-230|460-60

MFG PN T145T2U4B

List Price --

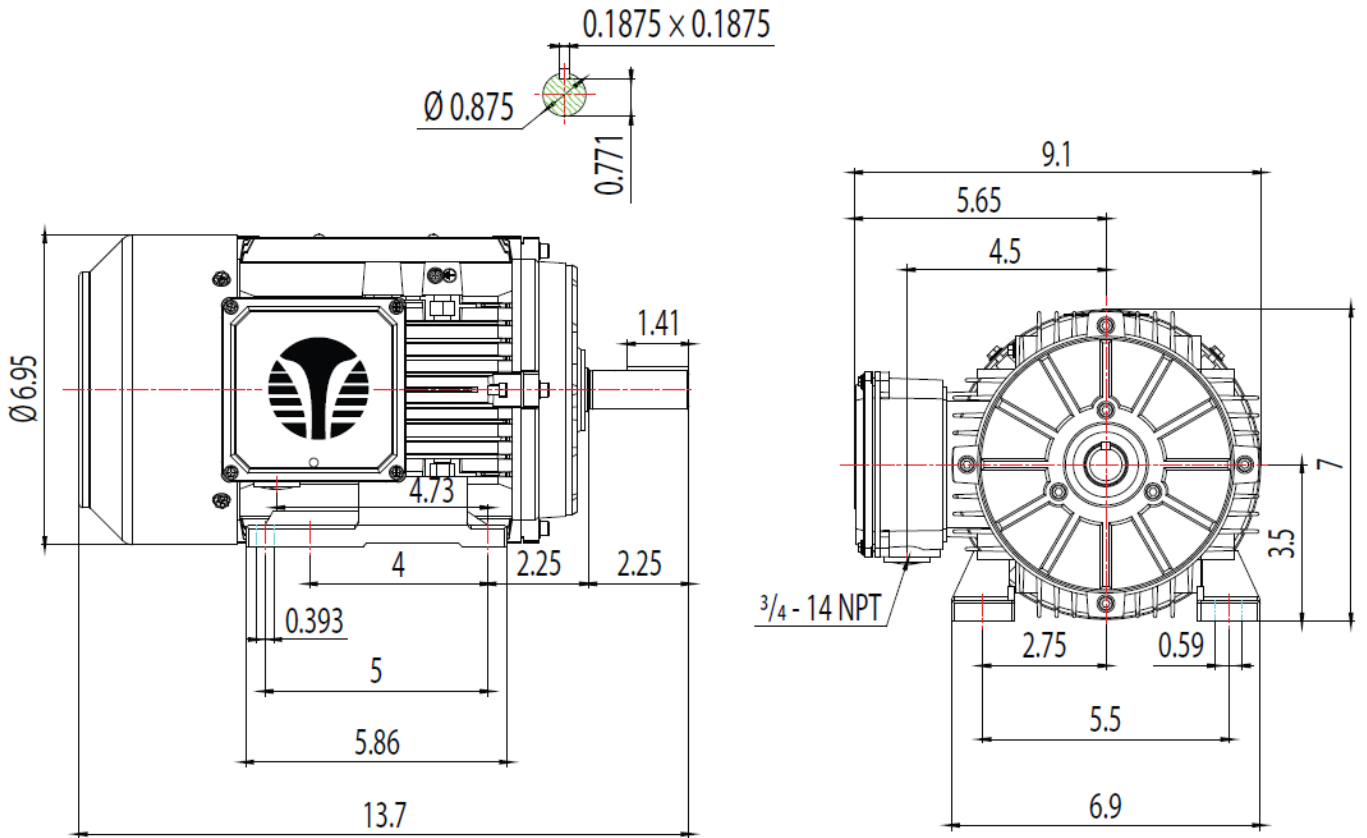
All data shown at HIGH voltage setting

Format | STD 3 Phase

Electrical Data				General Data	
Rated Motor Output Power	2 HP			Frame Size	145
Rated Motor Speed	1740 r/min			Enclosure	TEFC
Rated Motor Voltage (3 Phase)	230 460-60 Volts - HZ			Approximate Weight	42.02
Rated Motor Current	5.6/2.8 Amps			NEMA Design	A
Service Factor	1.25			IP Rating	55
KVA Code	G			Insulation Class	F
Nominal Efficiency	86.5 %			Tropicalization	YES
Nominal Power Factor	0.78 cosθ			Duty	Cont.
Full Load Torque Ft-Lb	6.05082784 Ft-Lb			Cable Entry	1.25
Temp Rise @ Full Load °C	33			Feet Removable	YES
Efficiency Level	IE3 - NEMA Premium			Double Drilled	NO
Load Data	RPM	Trq %FL	Current Amps	Rated Ambient (°C)	40
Locked Rotor	-	338	28.78	Rated Altitude (M)	1000
Breakdown	-	387	-	Coating	7024 - Graphite Grey
Pull Up	-	311	-	Shaft Grounding	Yes
125% of FL	1727.2	-	4.2781	Brake Voltage (DC)	--
75% of FL	1759.3	-	3.0522	Brake Torque (N-M)	--
50% of FL	1773.5	-	2.5722	Mechanical Data	
No Load	--	-	2.167	Bearing DE Side	6205ZZ
Hazardous Location	Class 1, Div 2, Grp A,B,C,D			Bearing NDE Side	6205ZZ
				Moment of Inertia	-- kg.m2
				Noise Level	Per NEMA dB (A)
CT VFD Range		--		Loaded Torque Curves	
				P1 = INPUT POWER (KW), S = Slip (% of Sync RPM), η = Efficiency (%), cosφ = Power Factor	
Certifications	UL	CSA	DOE		
File Numbers	323353	224693	096A		
Wiring Diagram	3PH 9 Lead Dual Voltage				
3 Phase - YY/Y - 9 Lead 4,1 Blue / 5,2 White / 6,3 Org / 7 Yl / 8 Blk / 9 RD Cast Iron- 1,2,3 Top - 4,5,6,7,8,9 Bottom Aluminum - 4,5,6,8,9 Top - 1,2,3,7 Bottom					
CONNECTIONS					
LOW VOLTAGE		HIGH VOLTAGE			

Model Number	GX3-AL-TF-145T-4-B-D-2-230 460-60
MFG PN	T145T2U4B
List Price	--
Base Frame	GX-145T-AL-TF

FRAME: 140T	HP:	RPM:	PHASE: 3	VOLT: 208-230/460V	ENCL: TEFC	FREQ: 60 Hz	FLA:	LRA:
-------------	-----	------	----------	--------------------	------------	-------------	------	------



MODEL NUMBER:	REV.	BY	DATE	CHANGES
GX3-AL-TF-140T	1			
MFG PN:	2			
	3			
	4			
	5			
	6			
	7			