



**Model Number** GR3-RS-OP-215T-4-B-D-10-230|460-60

**MFG PN** TXD215T10U4B

**List Price** --

All data shown at HIGH voltage setting

Format STD 3 Phase

Electrical Data		General Data	
Rated Motor Output Power	10 HP	Frame Size	215
Rated Motor Speed	1755 r/min	Enclosure	ODP
Rated Motor Voltage (3 Phase)	230 460-60 Volts - HZ	Approximate Weight	191.4
Rated Motor Current	24.0/12.0 Amps	NEMA Design	B
Service Factor	1.25	IP Rating	56
KVA Code	K	Insulation Class	H
Nominal Efficiency	91.7 %	Tropicalization	YES
Nominal Power Factor	0.85 cosθ	Duty	Cont. / S1
Full Load Torque Ft-Lb	30.2 Ft-Lb	Cable Entry	1-NPT 1"
Temp Rise @ Full Load °C	59.6	Feet Removable	YES
Efficiency Level	IE3 - NEMA Premium	Double Drilled	NO

Load Data	RPM	Trq %FL	Current Amps	Mechanical Data	
Locked Rotor	-	--	--	Rated Ambient (°C)	40
Breakdown	-	--	-	Rated Altitude (M)	1000
Pull Up	-	150	-	Coating	7024 - Graphite Grey
125% of FL	1743	-	15.13	Shaft Grounding	NO
75% of FL	1769	-	9.44	Brake Voltage (DC)	--
50% of FL	1780	-	7.12	Brake Torque (N-M)	--
No Load	--	-	4.5		

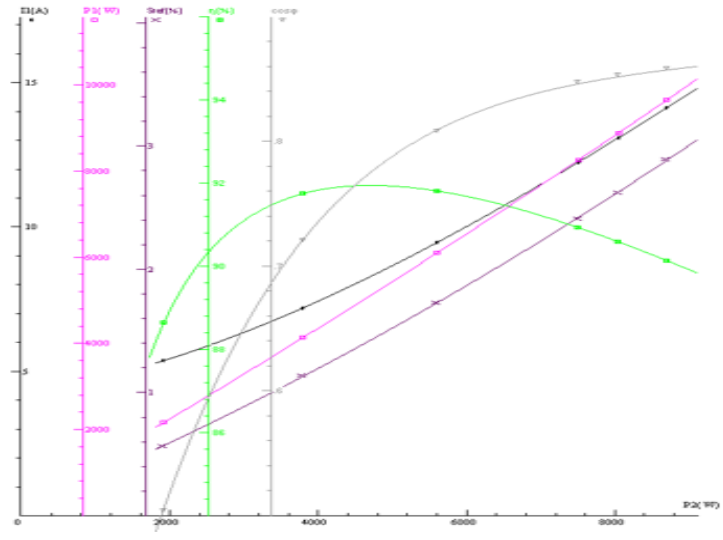
Hazardous Location	--	Bearing DE Side	6306ZZ
		Bearing NDE Side	6306ZZ
		Moment of Inertia	-- kg.m2
		Noise Level	Per NEMA dB (A)

CT VFD Range	--	<b>Loaded Torque Curves</b>	--
<b>P1 = INPUT POWER (KW), S = Slip (% of Sync RPM), η = Efficiency (%), cosφ = Power Factor</b>			

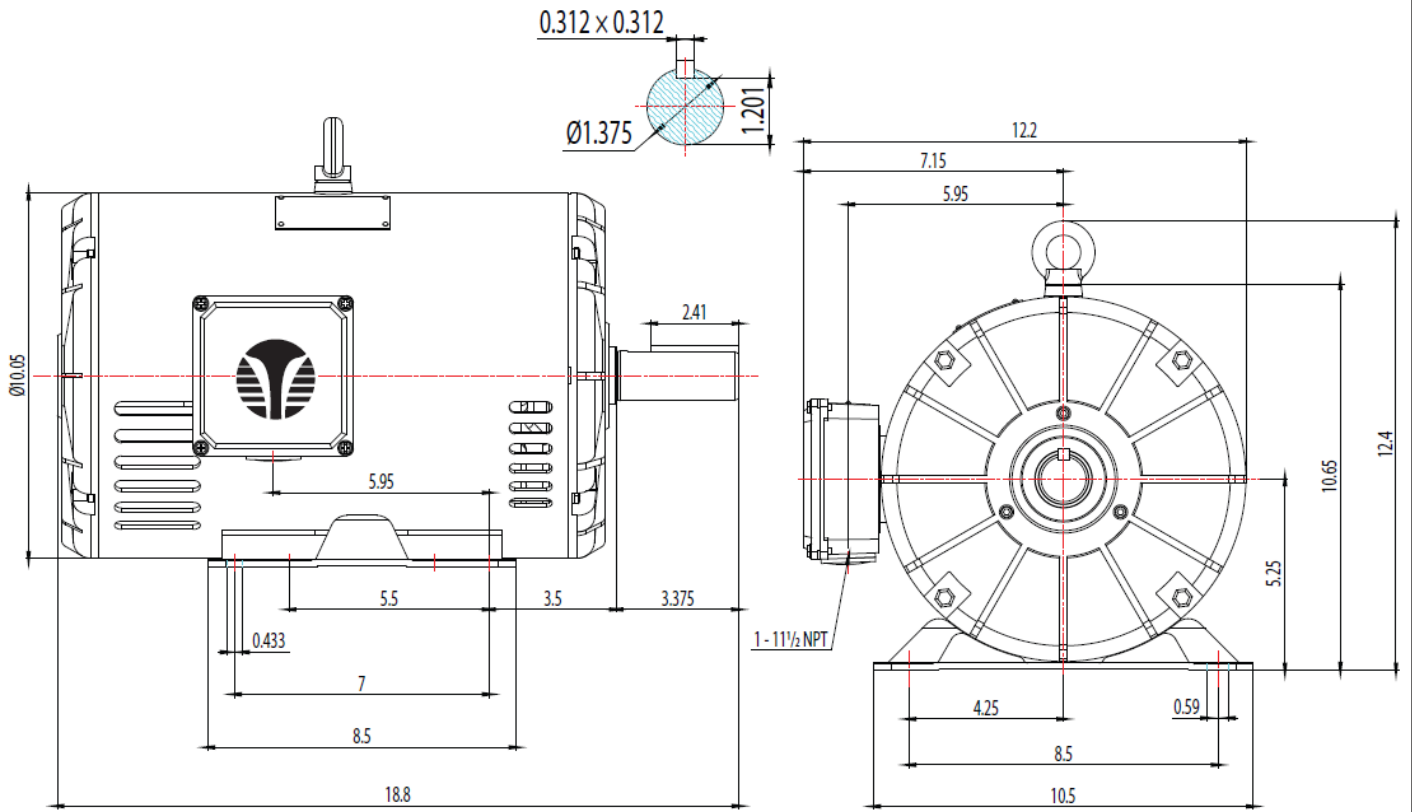
Certifications	UL	CSA	DOE
File Numbers	323353	224693	096A
Wiring Diagram	3PH 9 Lead Dual Voltage		

**3 Phase - YY/Y - 9 Lead**  
 4,1 Blue / 5,2 White / 6,3 Org / 7 Yl / 8 Blk / 9 RD  
 Cast Iron- 1,2,3 Top - 4,5,6,7,8,9 Bottom  
 Aluminum - 4,5,6,8,9 Top - 1,2,3,7 Bottom

CONNECTIONS					
4	5	6	4	5	6
7	8	9	7	8	9
1	2	3	1	2	3
LOW VOLTAGE			HIGH VOLTAGE		



FRAME: 215T | HP: | RPM: | PHASE: 3 | VOLT: 208-230V | ENCL: OPEN DRIP | FREQ: 60 Hz | FLA: | LRA:



MODEL NUMBER:  
GR3-RS-OP-215T-4-B-D-10  
MFG PN:

REV.	BY	DATE
1		
2		
3		
4		
5		
6		
7		

CHANGES

MATERIAL: ALUMINUM  
UNITS: INCH | BY: SSEE  
DRAWN: 6/13/2018  
WWW.TECHTOP.COM