



Model Number GR3-RS-OP-213TC-4-B-D-7.5-230|460-60

MFG PN TXD213T7.5U4B

List Price --

All data shown at HIGH voltage setting

Format | STD 3 Phase

Electrical Data		General Data	
Rated Motor Output Power	7.5 HP	Frame Size	213
Rated Motor Speed	1755 r/min	Enclosure	ODP
Rated Motor Voltage (3 Phase)	230 460-60 Volts - HZ	Approximate Weight	180.4
Rated Motor Current	18.2 9.10 Amps	NEMA Design	B
Service Factor	1.25	IP Rating	56
KVA Code	K	Insulation Class	H
Nominal Efficiency	91 %	Tropicalization	YES
Nominal Power Factor	0.85 cosθ	Duty	Cont. / S1
Full Load Torque Ft-Lb	22.4 Ft-Lb	Cable Entry	1-NPT 1"
Temp Rise @ Full Load °C	45	Feet Removable	YES
Efficiency Level	IE3 - NEMA Premium	Double Drilled	NO

Load Data	RPM	Trq %FL	Current Amps	Mechanical Data	
Locked Rotor	-	223	75.18	Rated Ambient (°C)	40
Breakdown	-	299	-	Rated Altitude (M)	1000
Pull Up	-	160	-	Coating	7024 - Graphite Grey
125% of FL	1748	-	11.45	Shaft Grounding	NO
75% of FL	1772	-	7.18	Brake Voltage (DC)	--
50% of FL	1782	-	5.4	Brake Torque (N-M)	--
No Load	--	-	3.5		

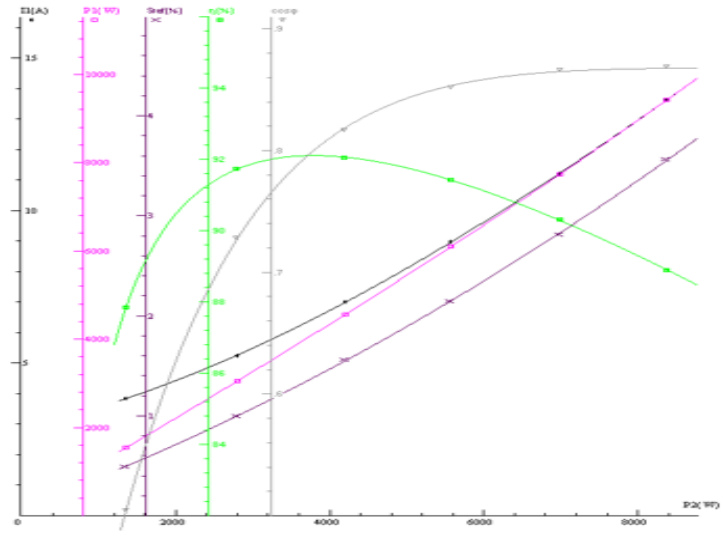
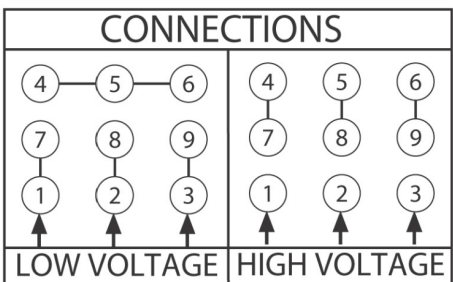
Hazardous Location	--	Bearing DE Side	6306ZZ
		Bearing NDE Side	6306ZZ
		Moment of Inertia	-- kg.m2
		Noise Level	Per NEMA dB (A)

CT VFD Range	--	Loaded Torque Curves	
		P1 = INPUT POWER (KW), S = Slip (% of Sync RPM), η = Efficiency (%), cosφ = Power Factor	

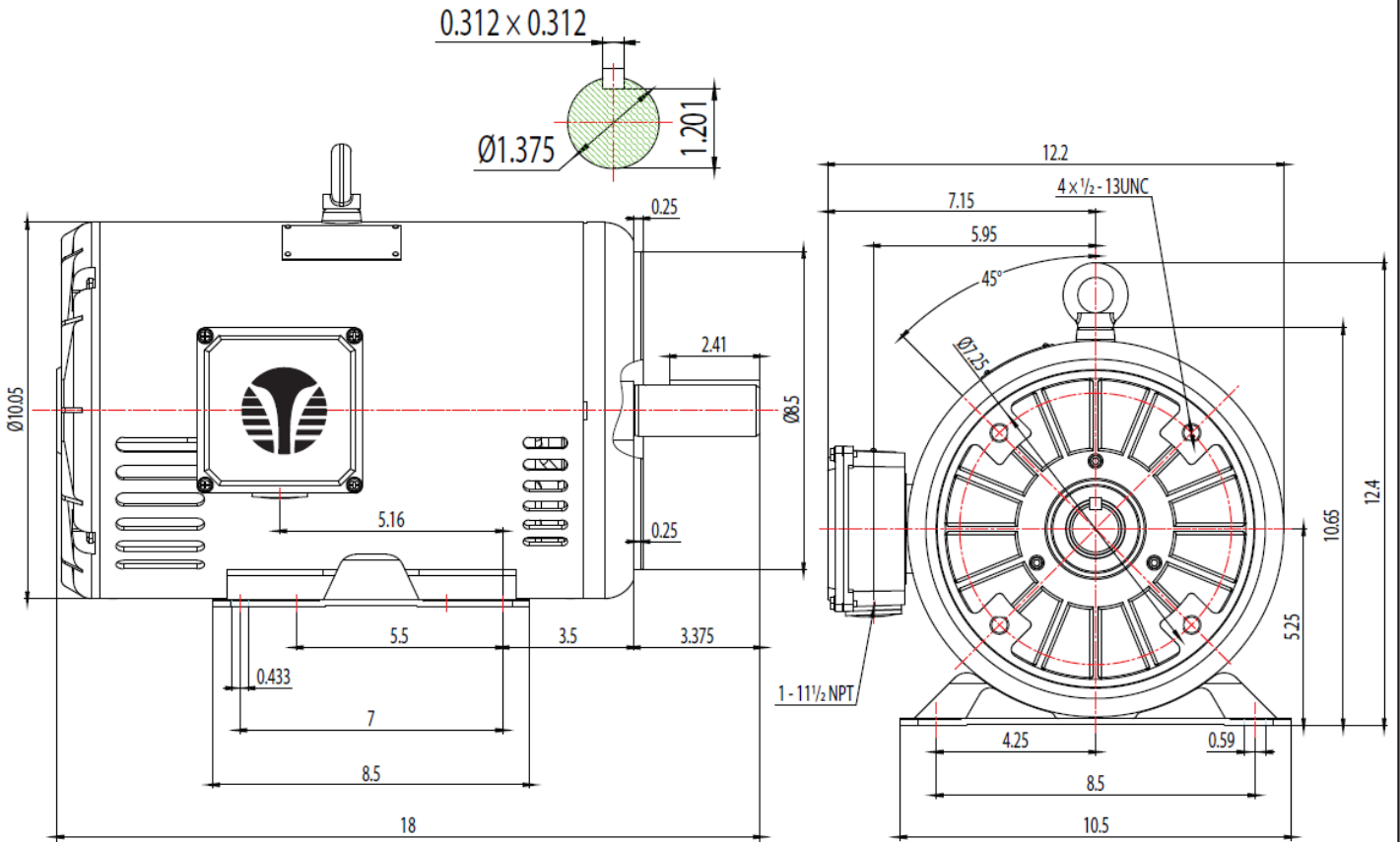
Certifications	UL	CSA	DOE
File Numbers	323353	224693	096A

Wiring Diagram 3PH 9 Lead Dual Voltage

3 Phase - YY/Y - 9 Lead
 4,1 Blue / 5,2 White / 6,3 Org / 7 Yl / 8 Blk / 9 RD
 Cast Iron- 1,2,3 Top - 4,5,6,7,8,9 Bottom
 Aluminum - 4,5,6,8,9 Top - 1,2,3,7 Bottom



FRAME: 213TC	HP:	RPM:	PHASE: 3	VOLT: 208-230V	ENCL: OPEN DRIP	FREQ: 60 Hz	FLA:	LRA:
--------------	-----	------	----------	----------------	-----------------	-------------	------	------



MODEL NUMBER:	REV.	BY	DATE	CHANGES
GR3-RS-OP-213TC-4-B-D-7.5	1			
MFG PN:	2			
	3			
	4			
	5			
	6			
	7			