



Model Number GR3-RS-OP-184TC-4-B-D-5-230|460-60

MFG PN TXD184T5U4B

List Price --

All data shown at HIGH voltage setting

Format STD 3 Phase

Electrical Data		General Data	
Rated Motor Output Power	5 HP	Frame Size	184
Rated Motor Speed	1755 r/min	Enclosure	ODP
Rated Motor Voltage (3 Phase)	230 460-60 Volts - HZ	Approximate Weight	95.7
Rated Motor Current	12.5/6.25 Amps	NEMA Design	B
Service Factor	1.25	IP Rating	56
KVA Code	J	Insulation Class	H
Nominal Efficiency	89.5 %	Tropicalization	YES
Nominal Power Factor	0.84 cosθ	Duty	Cont. / S1
Full Load Torque Ft-Lb	15 Ft-Lb	Cable Entry	1-NPT 3/4"
Temp Rise @ Full Load °C	58	Feet Removable	YES
Efficiency Level	IE3 - NEMA Premium	Double Drilled	NO

Load Data	RPM	Trq %FL	Current Amps	Mechanical Data	
Locked Rotor	-	179	44.17	Rated Ambient (°C)	40
Breakdown	-	268	-	Rated Altitude (M)	1000
Pull Up	-	180	-	Coating	7024 - Graphite Grey
125% of FL	1723	-	7.73	Shaft Grounding	NO
75% of FL	1760	-	4.6	Brake Voltage (DC)	--
50% of FL	1774	-	3.4	Brake Torque (N-M)	--
No Load	--	-	2.13		

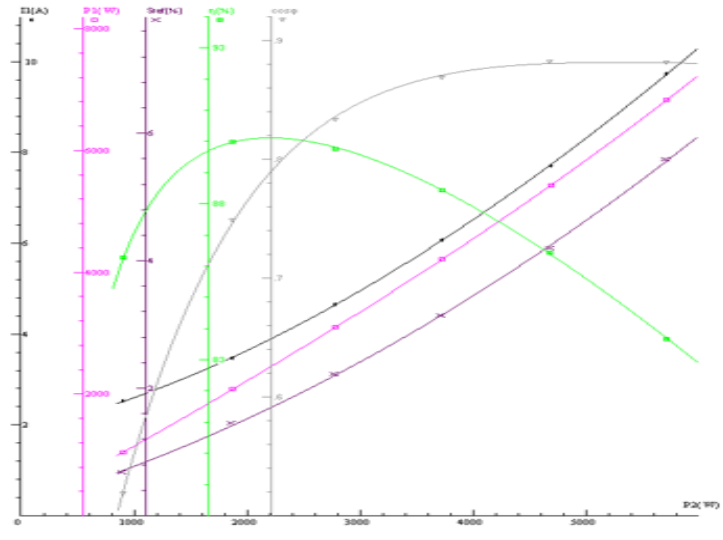
Hazardous Location	--	Bearing DE Side	6306ZZ
		Bearing NDE Side	6306ZZ
		Moment of Inertia	-- kg.m2
		Noise Level	Per NEMA dB (A)

CT VFD Range	--	Loaded Torque Curves	--
P1 = INPUT POWER (KW), S = Slip (% of Sync RPM), η = Efficiency (%), cosφ = Power Factor			

Certifications	UL	CSA	DOE
File Numbers	323353	224693	096A
Wiring Diagram	3PH 9 Lead Dual Voltage		

3 Phase - YY/Y - 9 Lead
 4,1 Blue / 5,2 White / 6,3 Org / 7 Yl / 8 Blk / 9 RD
 Cast Iron- 1,2,3 Top - 4,5,6,7,8,9 Bottom
 Aluminum - 4,5,6,8,9 Top - 1,2,3,7 Bottom

CONNECTIONS					
4	5	6	4	5	6
7	8	9	7	8	9
1	2	3	1	2	3
LOW VOLTAGE			HIGH VOLTAGE		





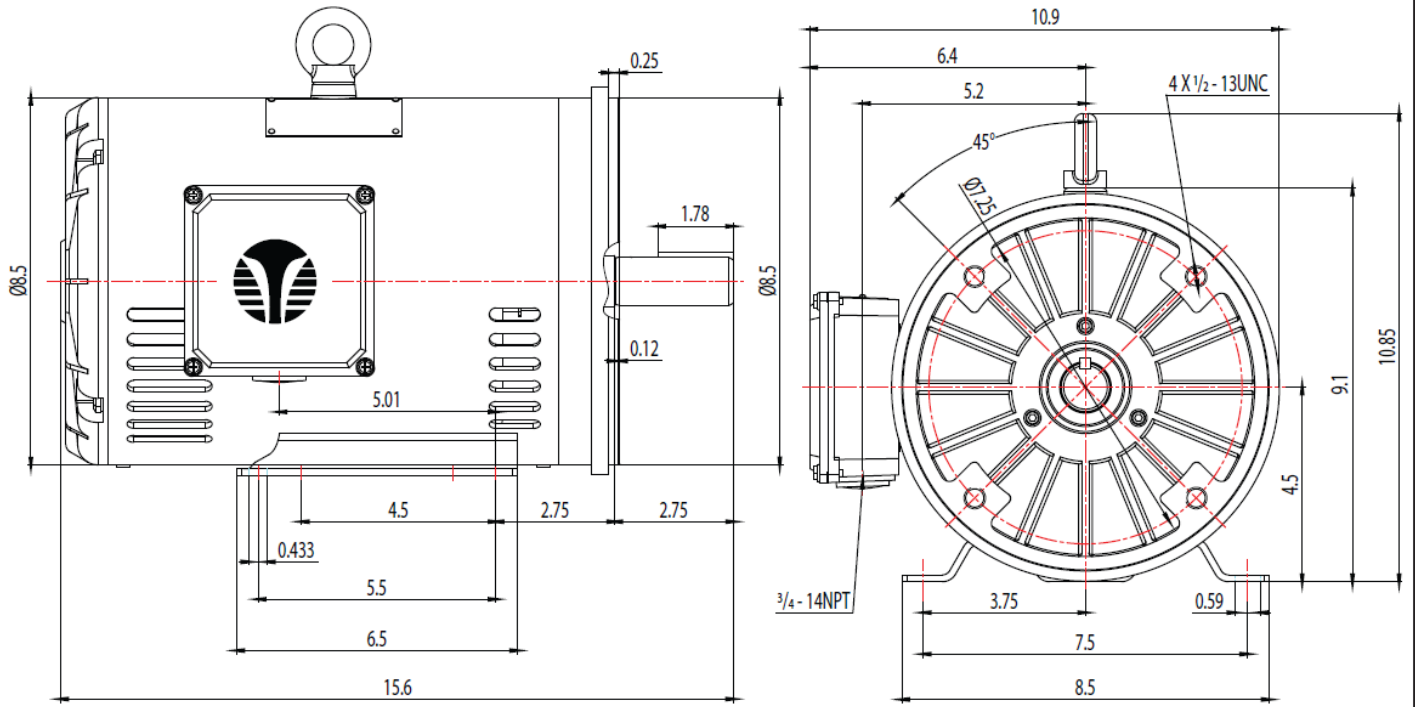
Model Number GR3-RS-OP-184TC-4-B-D-5-230|460-60

MFG PN TXD184T5U4B

List Price --

Base Frame GR-184TC-RS-OP

FRAME: 184TC | HP: | RPM: | PHASE: 3 | VOLT: 208-230V | ENCL: OPEN DRIP | FREQ: 60 Hz | FLA: | LRA:



MODEL NUMBER:
GR3-RS-OP-184TC-4-B-D-5
MFG PN:

REV.	BY	DATE
1		
2		
3		
4		
5		
6		
7		

CHANGES

MATERIAL: ALUMINUM
UNITS: INCH BY: SSEE
DRAWN: 6/13/2018
WWW.TECHTOP.COM

Techtop Industries -2815 Colonnades Court - Peachtree Corners, GA 30071 - Phone: (678) 436-5540