



Model Number GR3-RS-OP-184T-4-B-D-5-230|460-60

MFG PN TXD184T5U4B

List Price --

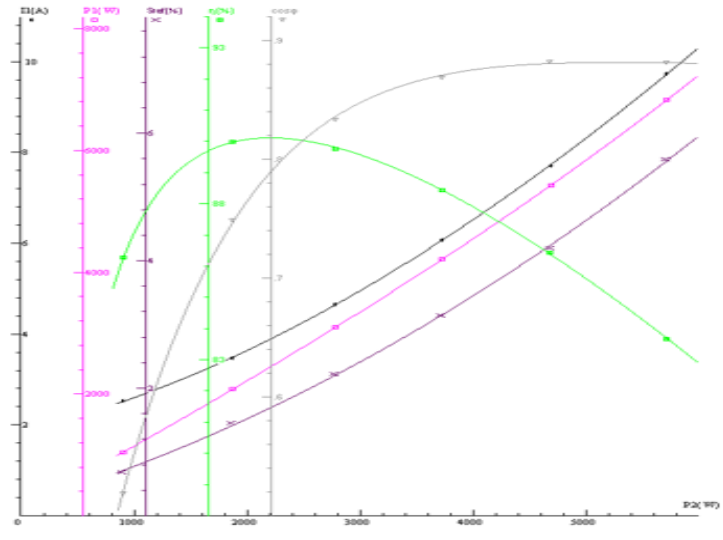
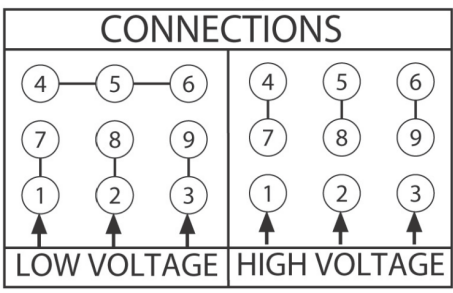
All data shown at HIGH voltage setting

Format | STD 3 Phase

Electrical Data				General Data	
Rated Motor Output Power	5 HP			Frame Size	184
Rated Motor Speed	1755 r/min			Enclosure	ODP
Rated Motor Voltage (3 Phase)	230 460-60 Volts - HZ			Approximate Weight	95.7
Rated Motor Current	12.5/6.25 Amps			NEMA Design	B
Service Factor	1.25			IP Rating	56
KVA Code	J			Insulation Class	H
Nominal Efficiency	89.5 %			Tropicalization	YES
Nominal Power Factor	0.84 cosθ			Duty	Cont. / S1
Full Load Torque Ft-Lb	15 Ft-Lb			Cable Entry	1-NPT 3/4"
Temp Rise @ Full Load °C	58			Feet Removable	YES
Efficiency Level	IE3 - NEMA Premium			Double Drilled	NO
Load Data	RPM	Trq %FL	Current Amps	Rated Ambient (°C)	40
Locked Rotor	-	179	44.17	Rated Altitude (M)	1000
Breakdown	-	268	-	Coating	7024 - Graphite Grey
Pull Up	-	180	-	Shaft Grounding	NO
125% of FL	1723	-	7.73	Brake Voltage (DC)	--
75% of FL	1760	-	4.6	Brake Torque (N-M)	--
50% of FL	1774	-	3.4	Mechanical Data	
No Load	--	-	2.13	Bearing DE Side	6306ZZ
Hazardous Location	--			Bearing NDE Side	6306ZZ
				Moment of Inertia	-- kg.m2
				Noise Level	Per NEMA dB (A)
CT VFD Range		--		Loaded Torque Curves	
P1 = INPUT POWER (KW), S = Slip (% of Sync RPM), η = Efficiency (%), cosφ = Power Factor					

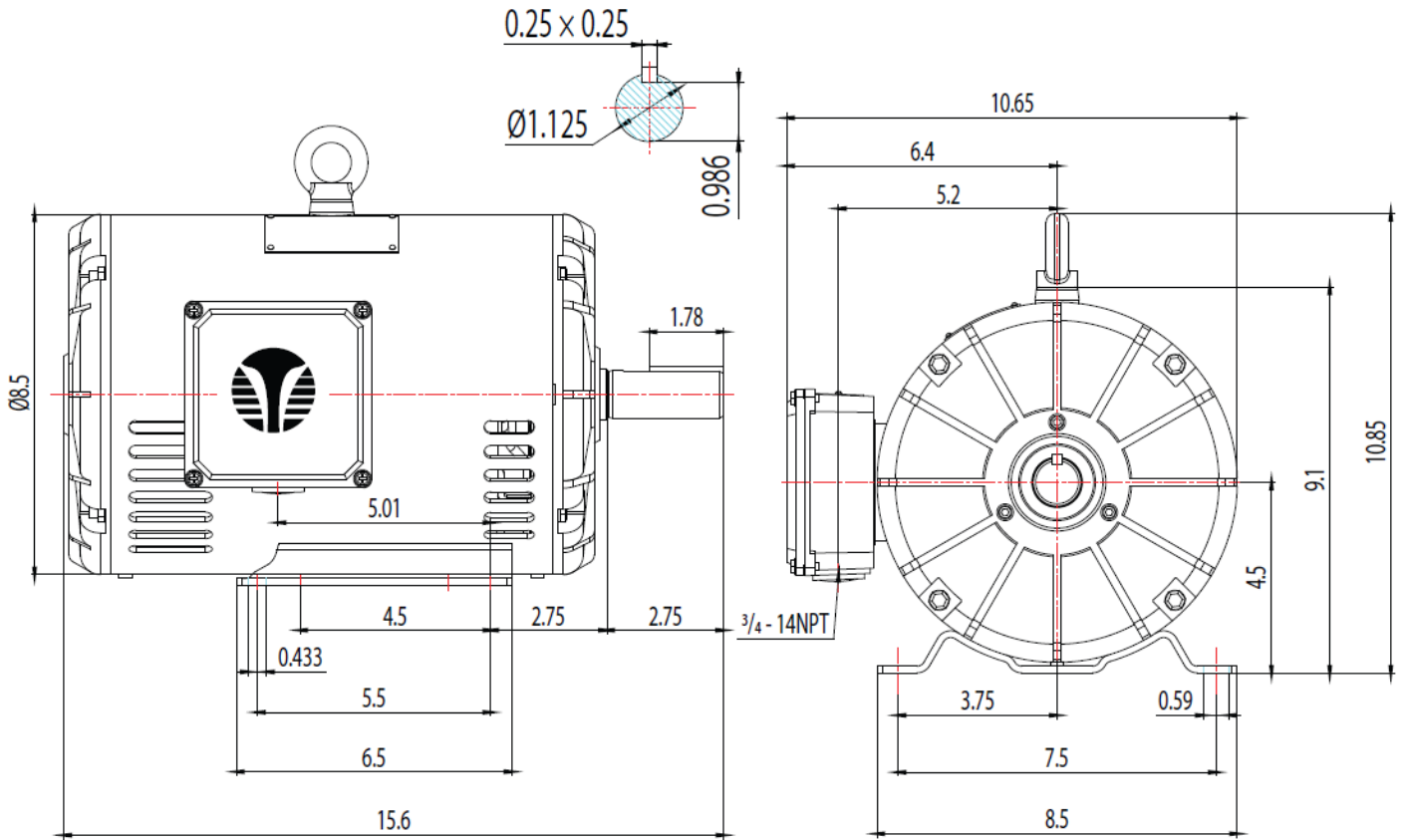
Certifications	UL	CSA	DOE
File Numbers	323353	224693	096A
Wiring Diagram	3PH 9 Lead Dual Voltage		

3 Phase - YY/Y - 9 Lead
 4,1 Blue / 5,2 White / 6,3 Org / 7 Yl / 8 Blk / 9 RD
 Cast Iron- 1,2,3 Top - 4,5,6,7,8,9 Bottom
 Aluminum - 4,5,6,8,9 Top - 1,2,3,7 Bottom



Model Number	GR3-RS-OP-184T-4-B-D-5-230 460-60
MFG PN	TXD184T5U4B
List Price	--
Base Frame	GR-184T-RS-OP

FRAME: 184T HP: RPM: PHASE: 3 VOLT: 208-230V ENCL: OPEN DRIP FREQ: 60 Hz FLA: LRA:



MODEL NUMBER:	REV.	BY	DATE	CHANGES
GR3-RS-OP-184T-4-B-D-5	1			
MFG PN:	2			
	3			
	4			
	5			
	6			
	7			