



Model Number GR3-RS-OP-184T-2-B-D-7.5-230|460-60

MFG PN TXD184T7.5U2B

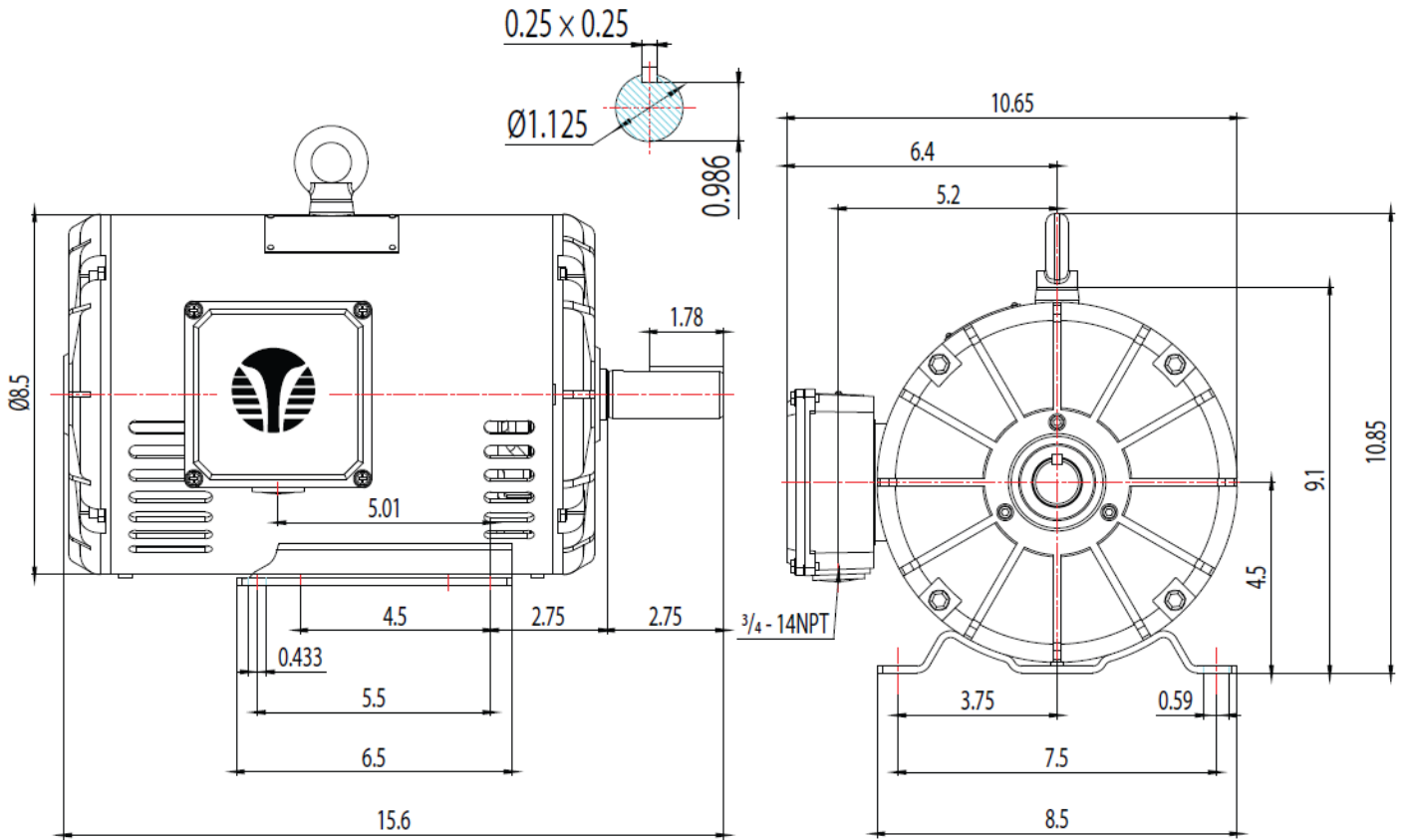
List Price --

All data shown at HIGH voltage setting

Format | STD 3 Phase

Electrical Data				General Data	
Rated Motor Output Power	7.5 HP			Frame Size	184
Rated Motor Speed	3510 r/min			Enclosure	ODP
Rated Motor Voltage (3 Phase)	230 460-60 Volts - HZ			Approximate Weight	--
Rated Motor Current	17.4/8.70 Amps			NEMA Design	B
Service Factor	1.25			IP Rating	56
KVA Code	J			Insulation Class	H
Nominal Efficiency	88.5 %			Tropicalization	YES
Nominal Power Factor	0.91 cosθ			Duty	Cont. / S1
Full Load Torque Ft-Lb	11.2 Ft-Lb			Cable Entry	1-NPT 3/4"
Temp Rise @ Full Load °C	40			Feet Removable	YES
Efficiency Level	IE3 - NEMA Premium			Double Drilled	NO
Load Data	RPM	Trq %FL	Current Amps	Rated Ambient (°C)	40
Locked Rotor	-	219	69.85	Rated Altitude (M)	1000
Breakdown	-	301	-	Coating	7024 - Graphite Grey
Pull Up	-	150	-	Shaft Grounding	NO
125% of FL	3490	-	10.87	Brake Voltage (DC)	--
75% of FL	3540	-	6.44	Brake Torque (N-M)	--
50% of FL	3561	-	4.5	Mechanical Data	
No Load	--	-	2.15	Bearing DE Side	6306ZZ
Hazardous Location	--			Bearing NDE Side	6306ZZ
				Moment of Inertia	-- kg.m2
				Noise Level	Per NEMA dB (A)
CT VFD Range		--		Loaded Torque Curves	
				P1 = INPUT POWER (KW), S = Slip (% of Sync RPM), η = Efficiency (%), cosφ = Power Factor	
Certifications	UL	CSA	DOE		
File Numbers	323353	224693	096A		
Wiring Diagram	3PH 9 Lead Dual Voltage				
3 Phase - YY/Y - 9 Lead 4,1 Blue / 5,2 White / 6,3 Org / 7 Yl / 8 Blk / 9 RD Cast Iron- 1,2,3 Top - 4,5,6,7,8,9 Bottom Aluminum - 4,5,6,8,9 Top - 1,2,3,7 Bottom					
CONNECTIONS 					

FRAME: 184T HP: RPM: PHASE: 3 VOLT: 208-230V ENCL: OPEN DRIP FREQ: 60 Hz FLA: LRA:



MODEL NUMBER:
GR3-RS-OP-184T-4-B-D-5
MFG PN:

REV.	BY	DATE
1		
2		
3		
4		
5		
6		
7		

CHANGES

MATERIAL: ALUMINUM
UNITS: INCH BY: SSEE
DRAWN: 6/13/2018
WWW.TECHTOP.COM