



**Model Number** GR3-RS-OP-182TC-2-B-D-5-230|460-60

**MFG PN** TXD182T5U2B

**List Price** --

All data shown at HIGH voltage setting

Format STD 3 Phase

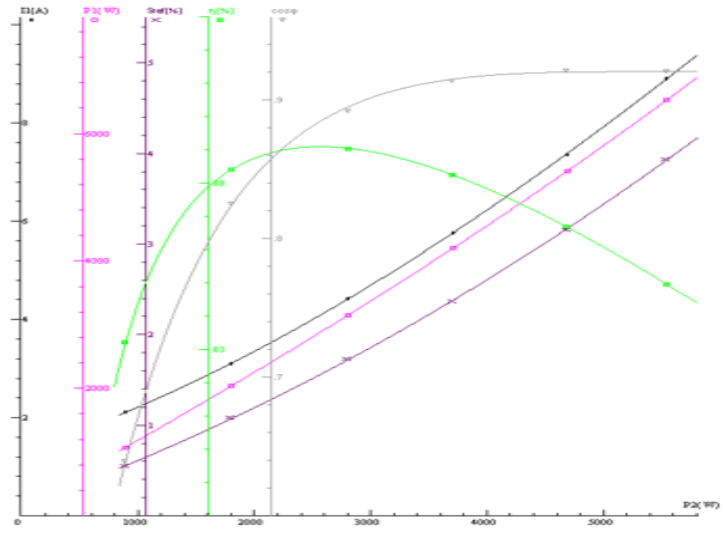
Electrical Data				General Data	
Rated Motor Output Power	5 HP			Frame Size	182
Rated Motor Speed	3510 r/min			Enclosure	ODP
Rated Motor Voltage (3 Phase)	230 460-60 Volts - HZ			Approximate Weight	--
Rated Motor Current	11.9/5.95 Amps			NEMA Design	B
Service Factor	1.25			IP Rating	56
KVA Code	J			Insulation Class	H
Nominal Efficiency	87.5 %			Tropicalization	YES
Nominal Power Factor	0.9 cosθ			Duty	Cont. / S1
Full Load Torque Ft-Lb	7.52 Ft-Lb			Cable Entry	1-NPT 3/4"
Temp Rise @ Full Load °C	--			Feet Removable	YES
Efficiency Level	IE3 - NEMA Premium			Double Drilled	NO
Load Data	RPM	Trq %FL	Current Amps	Rated Ambient (°C)	40
Locked Rotor	-	190	--	Rated Altitude (M)	1000
Breakdown	-	300	-	Coating	7024 - Graphite Grey
Pull Up	-	140	-	Shaft Grounding	NO
125% of FL	--	-	--	Brake Voltage (DC)	--
75% of FL	--	-	--	Brake Torque (N-M)	--
50% of FL	--	-	--	Mechanical Data	
No Load	--	-	--	Bearing DE Side	6306ZZ
Hazardous Location	--			Bearing NDE Side	6306ZZ
				Moment of Inertia	-- kg.m2
				Noise Level	Per NEMA dB (A)

CT VFD Range	--	<b>Loaded Torque Curves</b>	--
<b>P1 = INPUT POWER (KW), S = Slip (% of Sync RPM), η = Efficiency (%), cosφ = Power Factor</b>			

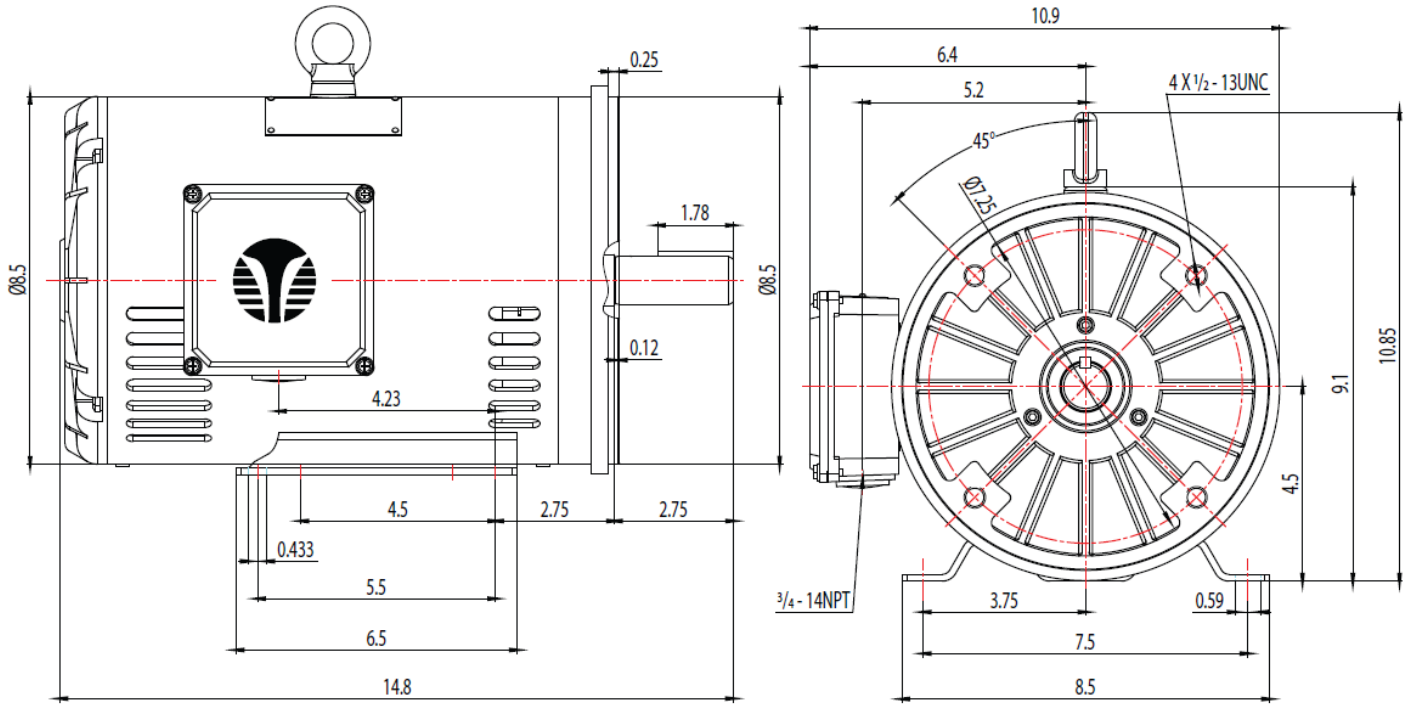
Certifications	UL	CSA	DOE
File Numbers	323353	224693	096A
Wiring Diagram	3PH 9 Lead Dual Voltage		

**3 Phase - YY/Y - 9 Lead**  
 4,1 Blue / 5,2 White / 6,3 Org / 7 Yl / 8 Blk / 9 RD  
 Cast Iron- 1,2,3 Top - 4,5,6,7,8,9 Bottom  
 Aluminum - 4,5,6,8,9 Top - 1,2,3,7 Bottom

CONNECTIONS					
4	5	6	4	5	6
7	8	9	7	8	9
1	2	3	1	2	3
LOW VOLTAGE			HIGH VOLTAGE		



FRAME: 182TC	HP:	RPM:	PHASE: 3	VOLT: 208-230V	ENCL: OPEN DRIP	FREQ: 60 Hz	FLA:	LRA:
--------------	-----	------	----------	----------------	-----------------	-------------	------	------



**TECHTOP**  
MATERIAL: ALUMINUM  
UNITS: INCH BY: SSEE  
DRAWN: 6/13/2018  
WWW.TECHTOP.COM

MODEL NUMBER:  
GR3-RS-OP-182TC-4-B-D-3  
MFG PN:

REV.	BY	DATE
1		
2		
3		
4		
5		
6		
7		

CHANGES