



**Model Number** GR3-RS-OP-182T-4-B-D-3-230|460-60

**MFG PN** TXD182T3U4B

**List Price** --

All data shown at HIGH voltage setting

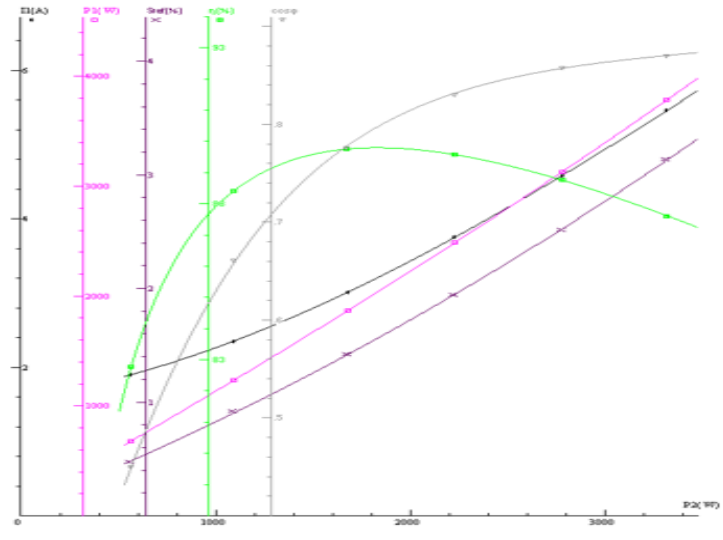
Format | STD 3 Phase

Electrical Data				General Data	
Rated Motor Output Power	3 HP			Frame Size	182
Rated Motor Speed	1755 r/min			Enclosure	ODP
Rated Motor Voltage (3 Phase)	230 460-60 Volts - HZ			Approximate Weight	85.8
Rated Motor Current	7.66/3.83 Amps			NEMA Design	B
Service Factor	1.25			IP Rating	56
KVA Code	K			Insulation Class	H
Nominal Efficiency	89.5 %			Tropicalization	YES
Nominal Power Factor	0.82 cosθ			Duty	Cont. / S1
Full Load Torque Ft-Lb	8.96 Ft-Lb			Cable Entry	1-NPT 3/4"
Temp Rise @ Full Load °C	--			Feet Removable	YES
Efficiency Level	IE3 - NEMA Premium			Double Drilled	NO
Load Data	RPM	Trq %FL	Current Amps	Rated Ambient (°C)	40
Locked Rotor	-	235	--	Rated Altitude (M)	1000
Breakdown	-	335	-	Coating	7024 - Graphite Grey
Pull Up	-	170	-	Shaft Grounding	NO
125% of FL	1759	-	4.63	Brake Voltage (DC)	--
75% of FL	1777	-	2.99	Brake Torque (N-M)	--
50% of FL	1785	-	2.3	Mechanical Data	
No Load	--	-	1.62	Bearing DE Side	6306ZZ
Hazardous Location	--			Bearing NDE Side	6306ZZ
				Moment of Inertia	-- kg.m2
				Noise Level	Per NEMA dB (A)
CT VFD Range		--		Loaded Torque Curves	
<p><b>P1 = INPUT POWER (KW), S = Slip (% of Sync RPM), η = Efficiency (%), cosφ = Power Factor</b></p>					

Certifications	UL	CSA	DOE
File Numbers	323353	224693	096A
Wiring Diagram	3PH 9 Lead Dual Voltage		

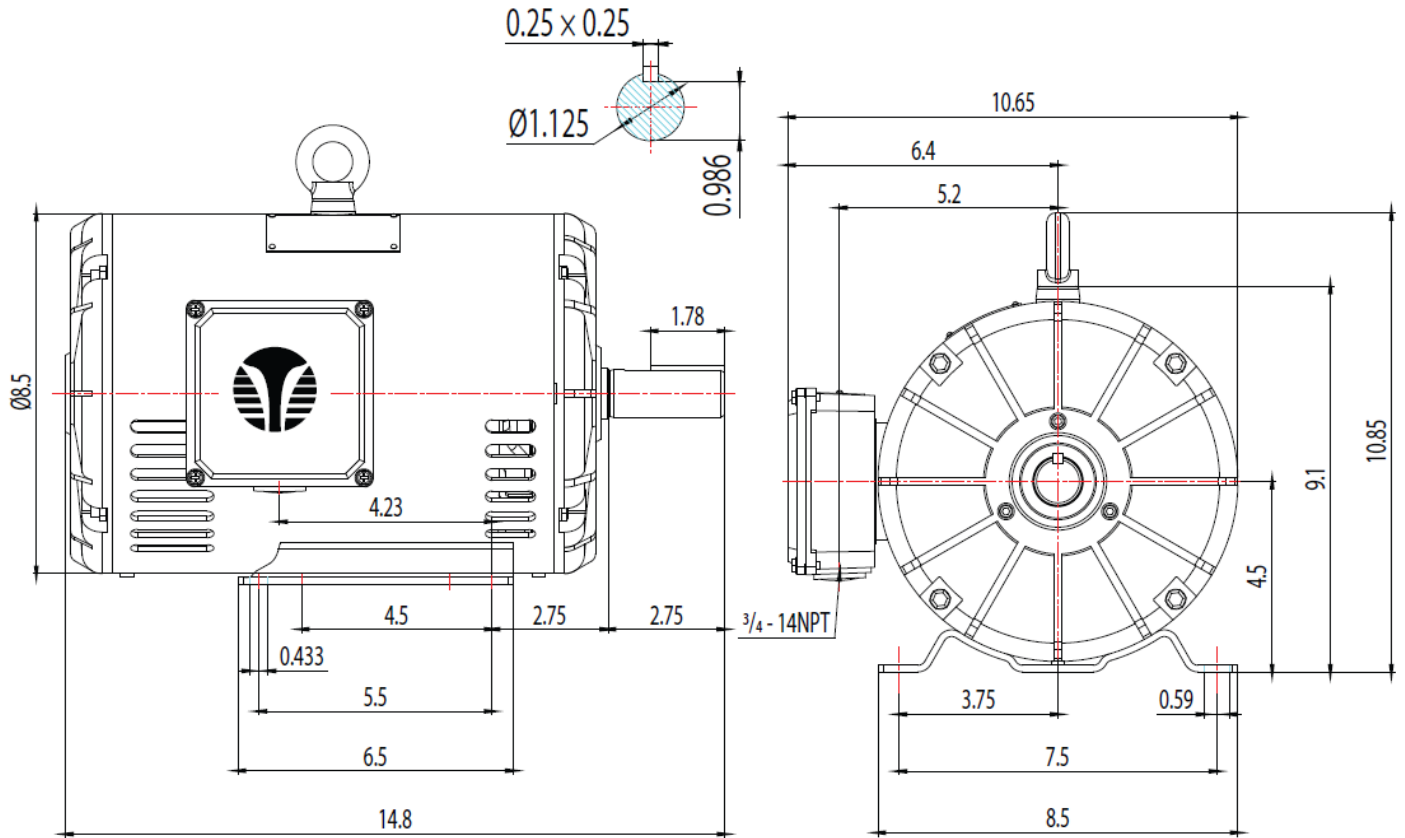
**3 Phase - YY/Y - 9 Lead**  
 4,1 Blue / 5,2 White / 6,3 Org / 7 Yl / 8 Blk / 9 RD  
 Cast Iron- 1,2,3 Top - 4,5,6,7,8,9 Bottom  
 Aluminum - 4,5,6,8,9 Top - 1,2,3,7 Bottom

CONNECTIONS					
4	5	6	4	5	6
7	8	9	7	8	9
1	2	3	1	2	3
↑ LOW VOLTAGE			↑ HIGH VOLTAGE		



Model Number	GR3-RS-OP-182T-4-B-D-3-230 460-60
MFG PN	TXD182T3U4B
List Price	--
Base Frame	GR-182T-RS-OP

FRAME: 182T    HP:    RPM:    PHASE: 3    VOLT: 208-230V    ENCL: OPEN DRIP    FREQ: 60 Hz    FLA:    LRA:



**TECHTOP**  
 MATERIAL: ALUMINUM  
 UNITS: INCH    BY: SSEE  
 DRAWN: 6/13/2018  
 WWW.TECHTOP.COM

MODEL NUMBER:	REV.	BY	DATE	CHANGES
GR3-RS-OP-182T-4-B-D-3	1			
MFG PN:	2			
	3			
	4			
	5			
	6			
	7			