



Model Number GR3-RS-OP-145TC-4-B-D-2-230|460-60

MFG PN TXD145T2U4B

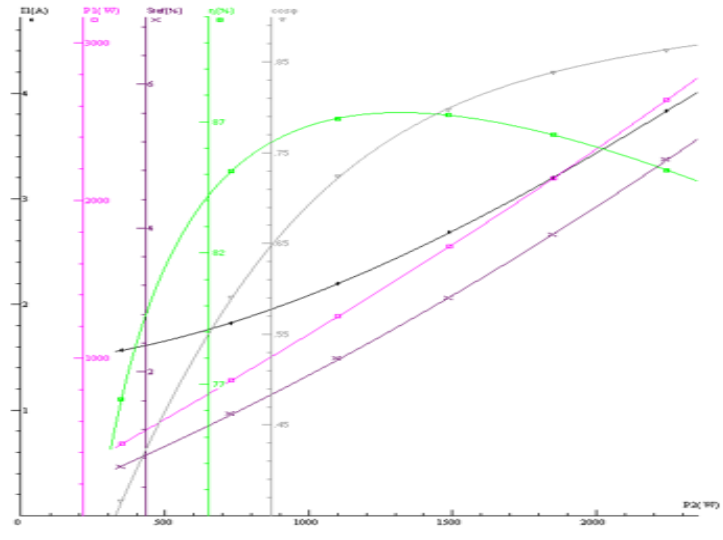
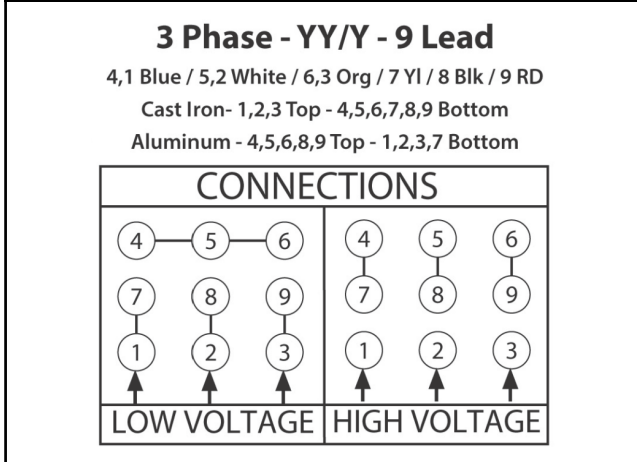
List Price --

All data shown at HIGH voltage setting

Format | STD 3 Phase

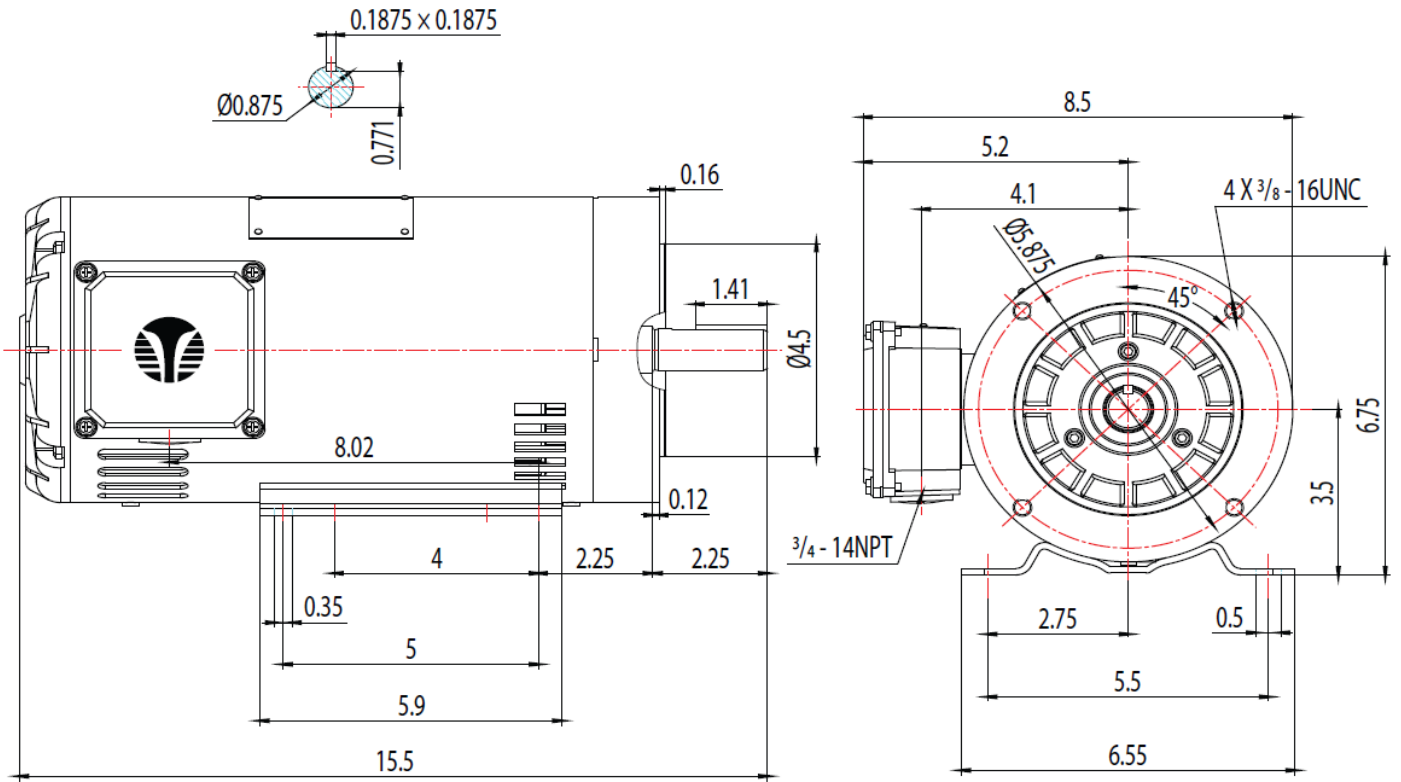
Electrical Data				General Data	
Rated Motor Output Power	2 HP			Frame Size	145
Rated Motor Speed	1740 r/min			Enclosure	ODP
Rated Motor Voltage (3 Phase)	230 460-60 Volts - HZ			Approximate Weight	42.4
Rated Motor Current	5.48/2.74 Amps			NEMA Design	B
Service Factor	1.25			IP Rating	56
KVA Code	L			Insulation Class	H
Nominal Efficiency	86.5 %			Tropicalization	YES
Nominal Power Factor	0.79 cosθ			Duty	Cont. / S1
Full Load Torque Ft-Lb	6.06 Ft-Lb			Cable Entry	1-NPT 3/4"
Temp Rise @ Full Load °C	43			Feet Removable	YES
Efficiency Level	IE3 - NEMA Premium			Double Drilled	NO
Load Data	RPM	Trq %FL	Current Amps	Rated Ambient (°C)	40
Locked Rotor	-	325	22.23	Rated Altitude (M)	1000
Breakdown	-	382	-	Coating	7024 - Graphite Grey
Pull Up	-	290	-	Shaft Grounding	NO
125% of FL	1728	-	3.23	Brake Voltage (DC)	--
75% of FL	1760	-	2.22	Brake Torque (N-M)	--
50% of FL	1774	-	1.84	Mechanical Data	
No Load	--	-	1.47	Bearing DE Side	6306ZZ
Hazardous Location	--			Bearing NDE Side	6306ZZ
				Moment of Inertia	-- kg.m2
				Noise Level	Per NEMA dB (A)
CT VFD Range		--		Loaded Torque Curves	
<p>P1 = INPUT POWER (KW), S = Slip (% of Sync RPM), η = Efficiency (%), cosφ = Power Factor</p>					

Certifications	UL	CSA	DOE
File Numbers	323353	224693	096A
Wiring Diagram	3PH 9 Lead Dual Voltage		



Model Number	GR3-RS-OP-145TC-4-B-D-2-230 460-60
MFG PN	TXD145T2U4B
List Price	--
Base Frame	GR-145TC-RS-OP

FRAME: 145TC HP: RPM: PHASE: 3 VOLT: 208-230V ENCL: OPEN DRIP FREQ: 60 Hz FLA: LRA:



MODEL NUMBER:	REV.	BY	DATE	CHANGES
GR3-RS-OP-145TC-4-B-D-2	1			
MFG PN:	2			
	3			
	4			
	5			
	6			
	7			