



Model Number GR3-RS-OP-145TC-4-B-D-1.5-230|460-60

MFG PN TXD145T1.5U4B

List Price --

All data shown at HIGH voltage setting

Format | STD 3 Phase

Electrical Data		General Data	
Rated Motor Output Power	1.5 HP	Frame Size	145
Rated Motor Speed	1740 r/min	Enclosure	ODP
Rated Motor Voltage (3 Phase)	230 460-60 Volts - HZ	Approximate Weight	36.9
Rated Motor Current	4.34/2.17 Amps	NEMA Design	B
Service Factor	1.25	IP Rating	56
KVA Code	M	Insulation Class	H
Nominal Efficiency	86.5 %	Tropicalization	YES
Nominal Power Factor	0.75 cosθ	Duty	Cont. / S1
Full Load Torque Ft-Lb	4.52 Ft-Lb	Cable Entry	1-NPT 3/4"
Temp Rise @ Full Load °C	31	Feet Removable	YES
Efficiency Level	IE3 - NEMA Premium	Double Drilled	NO

Load Data	RPM	Trq %FL	Current Amps	General Data	
Locked Rotor	-	352	19.55	Rated Ambient (°C)	40
Breakdown	-	420	-	Rated Altitude (M)	1000
Pull Up	-	290	-	Coating	7024 - Graphite Grey
125% of FL	1745	-	2.5	Shaft Grounding	NO
75% of FL	1769	-	1.81	Brake Voltage (DC)	--
50% of FL	1780	-	1.55	Brake Torque (N-M)	--
No Load	--	-	1.31	Mechanical Data	

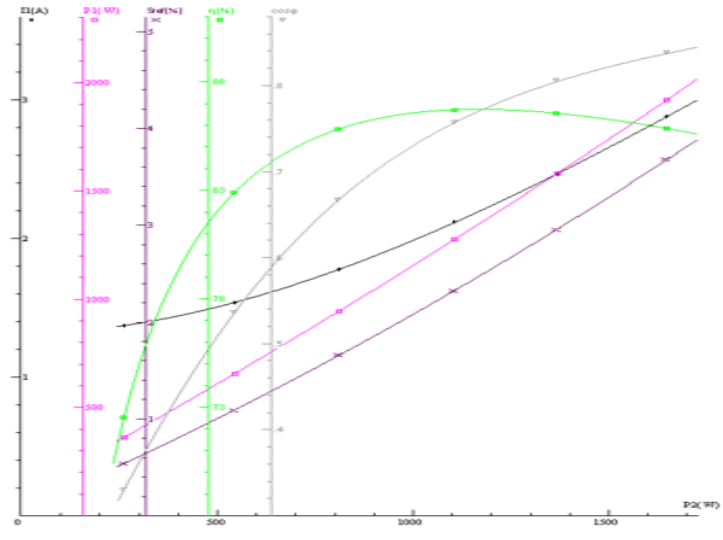
Hazardous Location	--		Bearing DE Side	6306ZZ
	--		Bearing NDE Side	6306ZZ
	--		Moment of Inertia	-- kg.m2
	--		Noise Level	Per NEMA dB (A)

CT VFD Range	--	Loaded Torque Curves		--
P1 = INPUT POWER (KW), S = Slip (% of Sync RPM), η = Efficiency (%), cosφ = Power Factor				

Certifications	UL	CSA	DOE
File Numbers	323353	224693	096A
Wiring Diagram	3PH 9 Lead Dual Voltage		

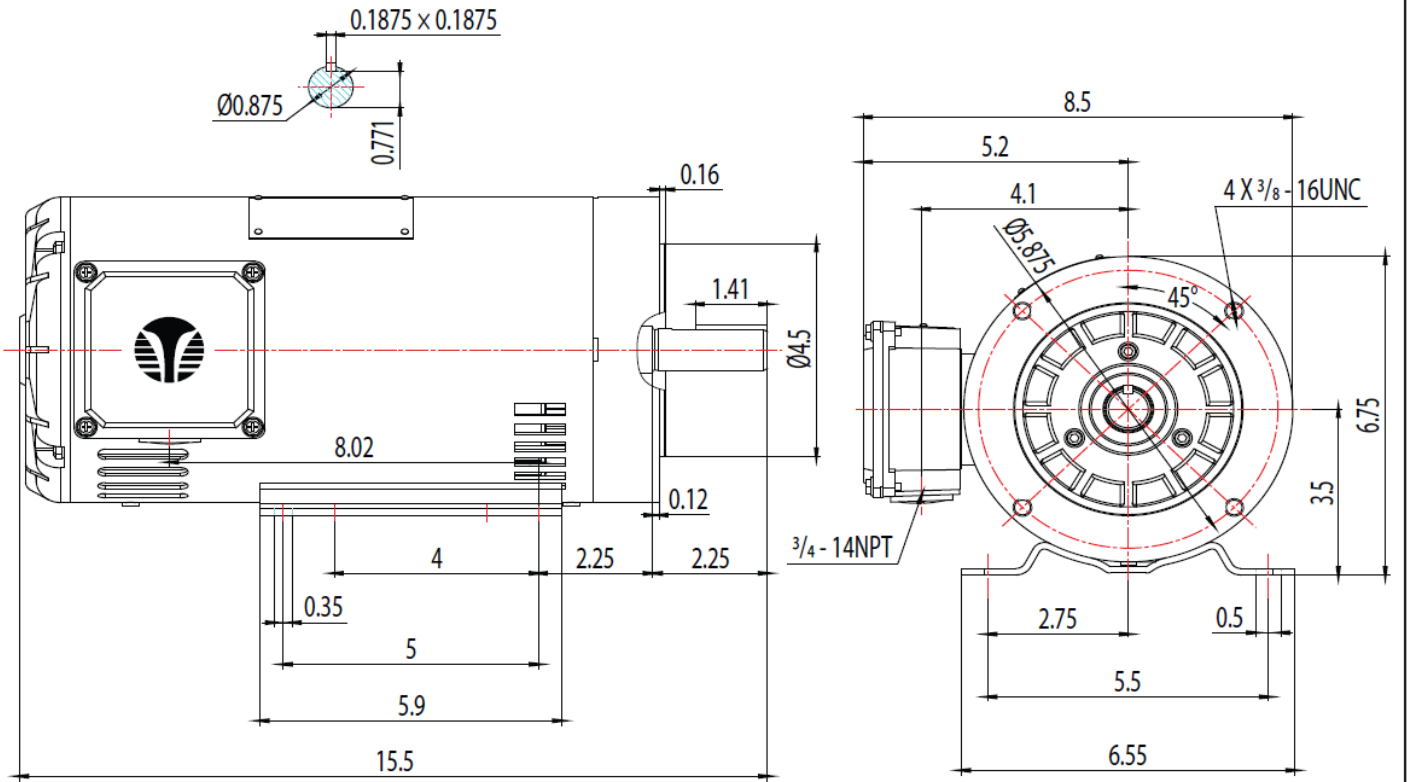
3 Phase - YY/Y - 9 Lead
 4,1 Blue / 5,2 White / 6,3 Org / 7 Yl / 8 Blk / 9 RD
 Cast Iron- 1,2,3 Top - 4,5,6,7,8,9 Bottom
 Aluminum - 4,5,6,8,9 Top - 1,2,3,7 Bottom

CONNECTIONS					
4	5	6	4	5	6
7	8	9	7	8	9
1	2	3	1	2	3
LOW VOLTAGE			HIGH VOLTAGE		



Model Number	GR3-RS-OP-145TC-4-B-D-1.5-230 460-60
MFG PN	TXD145T1.5U4B
List Price	--
Base Frame	GR-145TC-RS-OP

FRAME: 145TC HP: RPM: PHASE: 3 VOLT: 208-230V ENCL: OPEN DRIP FREQ: 60 Hz FLA: LRA:



MODEL NUMBER:	REV.	BY	DATE	CHANGES
GR3-RS-OP-145TC-4-B-D-2	1			
MFG PN:	2			
	3			
	4			
	5			
	6			
	7			