



**Model Number** GR3-RS-OP-145T-4-B-D-2-230|460-60

**MFG PN** TXD145T2U4B

**List Price** --

All data shown at HIGH voltage setting

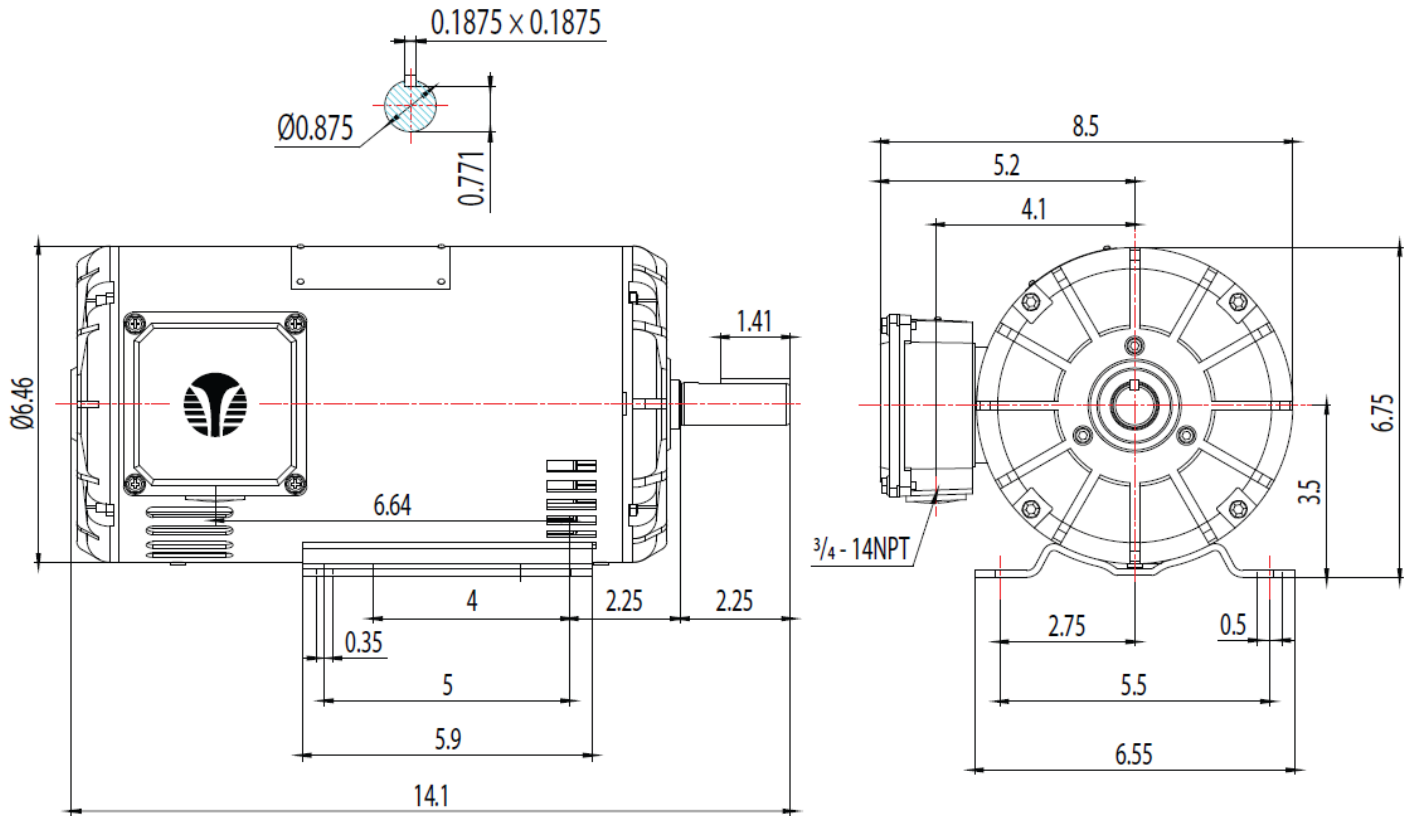
Format | STD 3 Phase

Electrical Data				General Data	
Rated Motor Output Power	2 HP			Frame Size	145
Rated Motor Speed	1740 r/min			Enclosure	ODP
Rated Motor Voltage (3 Phase)	230 460-60 Volts - HZ			Approximate Weight	42.4
Rated Motor Current	5.48/2.74 Amps			NEMA Design	B
Service Factor	1.25			IP Rating	56
KVA Code	L			Insulation Class	H
Nominal Efficiency	86.5 %			Tropicalization	YES
Nominal Power Factor	0.79 cosθ			Duty	Cont. / S1
Full Load Torque Ft-Lb	6.06 Ft-Lb			Cable Entry	1-NPT 3/4"
Temp Rise @ Full Load °C	43			Feet Removable	YES
Efficiency Level	IE3 - NEMA Premium			Double Drilled	NO
Load Data	RPM	Trq %FL	Current Amps	Rated Ambient (°C)	40
Locked Rotor	-	325	22.23	Rated Altitude (M)	1000
Breakdown	-	382	-	Coating	7024 - Graphite Grey
Pull Up	-	290	-	Shaft Grounding	NO
125% of FL	1728	-	3.23	Brake Voltage (DC)	--
75% of FL	1760	-	2.22	Brake Torque (N-M)	--
50% of FL	1774	-	1.84	Mechanical Data	
No Load	--	-	1.47	Bearing DE Side	6306ZZ
Hazardous Location	--			Bearing NDE Side	6306ZZ
				Moment of Inertia	-- kg.m2
				Noise Level	Per NEMA dB (A)
CT VFD Range		--		<b>Loaded Torque Curves</b>	
				P1 = INPUT POWER (KW), S = Slip (% of Sync RPM), η = Efficiency (%), cosφ = Power Factor	
Certifications	UL	CSA	DOE		
File Numbers	323353	224693	096A		
Wiring Diagram	3PH 9 Lead Dual Voltage				
<b>3 Phase - YY/Y - 9 Lead</b> 4,1 Blue / 5,2 White / 6,3 Org / 7 Yl / 8 Blk / 9 RD Cast Iron- 1,2,3 Top - 4,5,6,7,8,9 Bottom Aluminum - 4,5,6,8,9 Top - 1,2,3,7 Bottom					
<b>CONNECTIONS</b>					
LOW VOLTAGE		HIGH VOLTAGE			



Model Number	GR3-RS-OP-145T-4-B-D-2-230 460-60
MFG PN	TXD145T2U4B
List Price	--
Base Frame	GR-145T-RS-OP

FRAME: 145T | HP: | RPM: | PHASE: 3 | VOLT: 208-230V | ENCL: OPEN DRIP | FREQ: 60 Hz | FLA: | LRA:



**TECHTOP**  
 MATERIAL: ALUMINUM  
 UNITS: INCH BY: SSEE  
 DRAWN: 6/13/2018  
 WWW.TECHTOP.COM

MODEL NUMBER:  
 GR3-RS-OP-145T-2-B-D-3  
 MFG PN:

REV.	BY	DATE
1		
2		
3		
4		
5		
6		
7		

CHANGES