



**Model Number** GR3-RS-OP-143T-4-B-D-1-230|460-60

**MFG PN** TXD143T1U4B

**List Price** --

All data shown at HIGH voltage setting

Format | STD 3 Phase

Electrical Data				General Data																							
Rated Motor Output Power	1 HP			Frame Size	143																						
Rated Motor Speed	1740 r/min			Enclosure	ODP																						
Rated Motor Voltage (3 Phase)	230 460-60 Volts - HZ			Approximate Weight	35.6																						
Rated Motor Current	3.12/1.56 Amps			NEMA Design	B																						
Service Factor	1.25			IP Rating	56																						
KVA Code	N			Insulation Class	H																						
Nominal Efficiency	85.5 %			Tropicalization	YES																						
Nominal Power Factor	0.7 cosθ			Duty	Cont. / S1																						
Full Load Torque Ft-Lb	2.99 Ft-Lb			Cable Entry	1-NPT 3/4"																						
Temp Rise @ Full Load °C	25			Feet Removable	YES																						
Efficiency Level	IE3 - NEMA Premium			Double Drilled	NO																						
Load Data	RPM	Trq %FL	Current Amps	Rated Ambient (°C)	40																						
Locked Rotor	-	420	14.91	Rated Altitude (M)	1000																						
Breakdown	-	483	-	Coating	7024 - Graphite Grey																						
Pull Up	-	330	-	Shaft Grounding	NO																						
125% of FL	1757	-	1.76	Brake Voltage (DC)	--																						
75% of FL	1775	-	1.34	Brake Torque (N-M)	--																						
50% of FL	1784	-	1.19	Mechanical Data																							
No Load	--	-	1.06	Bearing DE Side	6306ZZ																						
Hazardous Location	--			Bearing NDE Side	6306ZZ																						
				Moment of Inertia	-- kg.m2																						
				Noise Level	Per NEMA dB (A)																						
CT VFD Range		--		<b>Loaded Torque Curves</b>																							
				P1 = INPUT POWER (KW), S = Slip (% of Sync RPM), η = Efficiency (%), cosφ = Power Factor																							
Certifications	UL	CSA	DOE																								
File Numbers	323353	224693	096A																								
Wiring Diagram	3PH 9 Lead Dual Voltage																										
<p><b>3 Phase - YY/Y - 9 Lead</b>            4,1 Blue / 5,2 White / 6,3 Org / 7 Yl / 8 Blk / 9 RD            Cast Iron- 1,2,3 Top - 4,5,6,7,8,9 Bottom            Aluminum - 4,5,6,8,9 Top - 1,2,3,7 Bottom</p> <p><b>CONNECTIONS</b></p> <table border="1"> <tr> <td>4</td><td>5</td><td>6</td> <td>4</td><td>5</td><td>6</td> </tr> <tr> <td>7</td><td>8</td><td>9</td> <td>7</td><td>8</td><td>9</td> </tr> <tr> <td>1</td><td>2</td><td>3</td> <td>1</td><td>2</td><td>3</td> </tr> <tr> <td colspan="3">LOW VOLTAGE</td> <td colspan="3">HIGH VOLTAGE</td> </tr> </table>						4	5	6	4	5	6	7	8	9	7	8	9	1	2	3	1	2	3	LOW VOLTAGE			HIGH VOLTAGE
4	5	6	4	5	6																						
7	8	9	7	8	9																						
1	2	3	1	2	3																						
LOW VOLTAGE			HIGH VOLTAGE																								



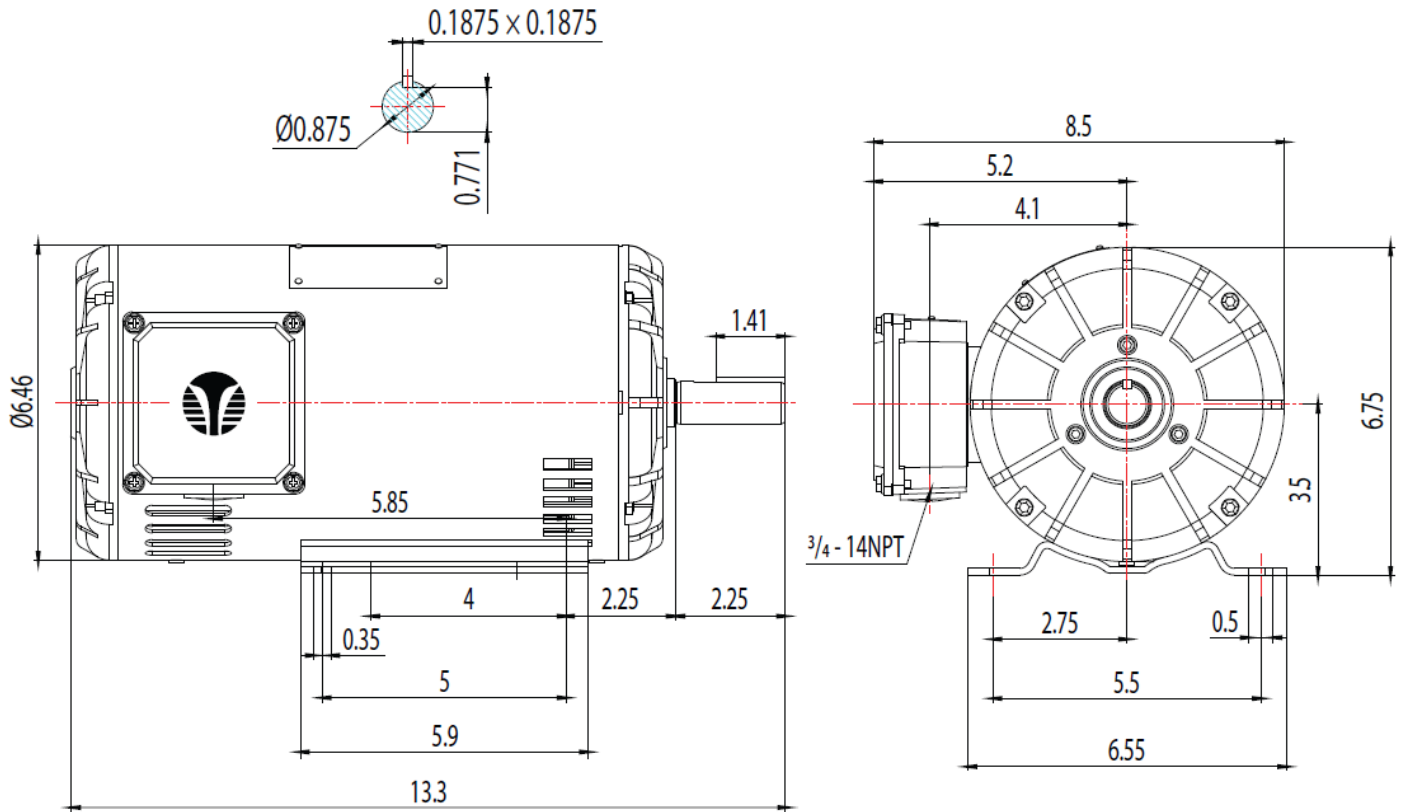
Model Number GR3-RS-OP-143T-4-B-D-1-230|460-60

MFG PN TXD143T1U4B

List Price --

Base Frame GR-143T-RS-OP

FRAME: 143T | HP: | RPM: | PHASE: 3 | VOLT: 208-230V | ENCL: OPEN DRIP | FREQ: 60 Hz | FLA: | LRA:



MODEL NUMBER:

GR3-RS-OP-143T-2-B-D-1

MFG PN:

REV. BY DATE

REV.	BY	DATE
1		
2		
3		
4		
5		
6		
7		

CHANGES

MATERIAL: ALUMINUM  
 UNITS: INCH BY: SSEE  
 DRAWN: 6/13/2018  
 WWW.TECHTOP.COM