



Model Number GR3-RS-OP-143T-2-B-D-1-230|460-60

MFG PN TXD143T1U2B

List Price --

All data shown at HIGH voltage setting

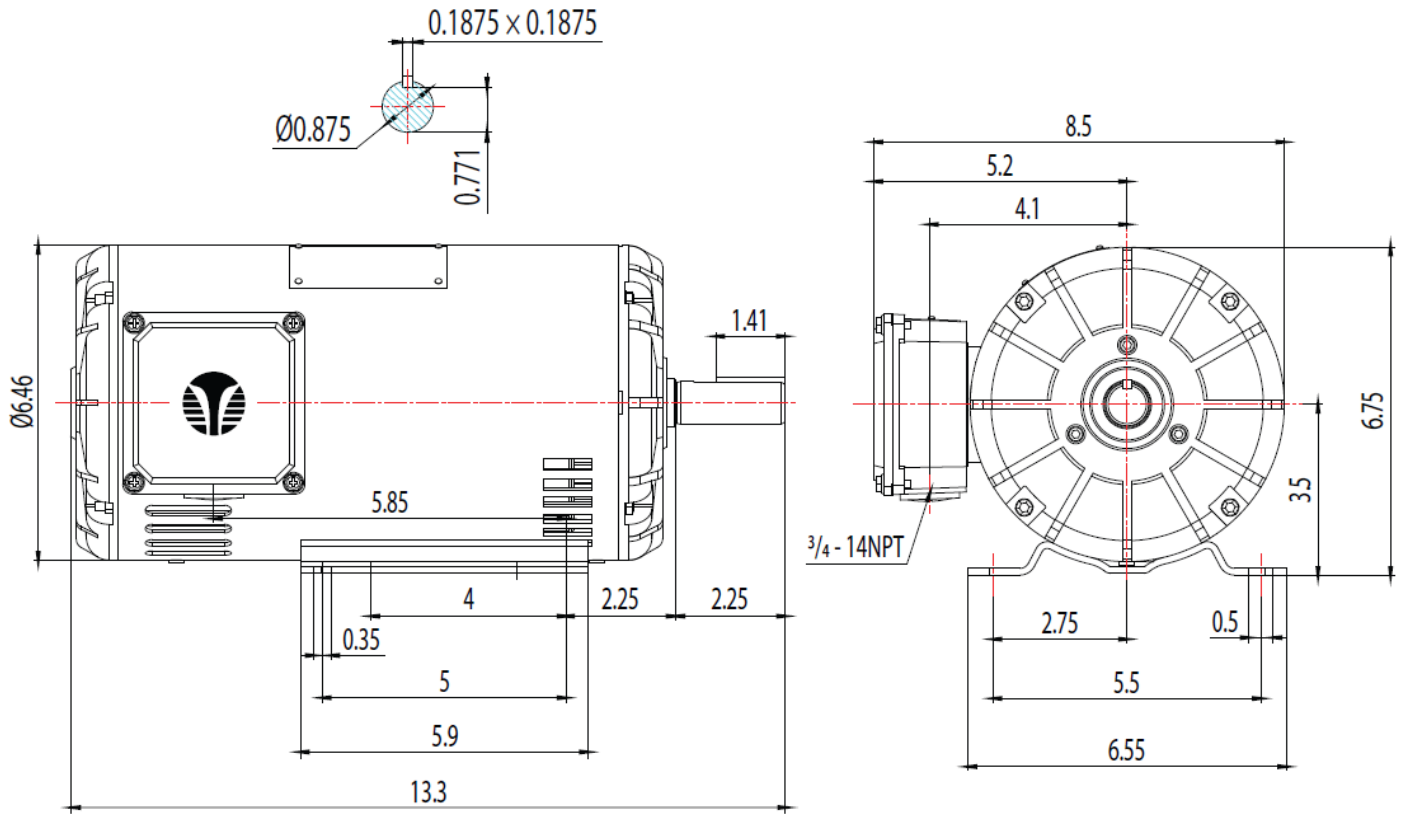
Format | STD 3 Phase

Electrical Data				General Data	
Rated Motor Output Power	1 HP			Frame Size	143
Rated Motor Speed	3450 r/min			Enclosure	ODP
Rated Motor Voltage (3 Phase)	230 460-60 Volts - HZ			Approximate Weight	--
Rated Motor Current	2.96/1.48 Amps			NEMA Design	B
Service Factor	1.25			IP Rating	56
KVA Code	k			Insulation Class	H
Nominal Efficiency	81 %			Tropicalization	YES
Nominal Power Factor	0.78 cosθ			Duty	Cont. / S1
Full Load Torque Ft-Lb	1.52 Ft-Lb			Cable Entry	1-NPT 3/4"
Temp Rise @ Full Load °C	29.5			Feet Removable	YES
Efficiency Level	IE3 - NEMA Premium			Double Drilled	NO
Load Data	RPM	Trq %FL	Current Amps	Rated Ambient (°C)	40
Locked Rotor	-	350	15.68	Rated Altitude (M)	1000
Breakdown	-	355	-	Coating	7024 - Graphite Grey
Pull Up	-	310	-	Shaft Grounding	NO
125% of FL	3419	-	1.72	Brake Voltage (DC)	--
75% of FL	3498	-	1.22	Brake Torque (N-M)	--
50% of FL	3532	-	1	Mechanical Data	
No Load	--	-	0.85	Bearing DE Side	6306ZZ
Hazardous Location	--			Bearing NDE Side	6306ZZ
				Moment of Inertia	-- kg.m2
				Noise Level	Per NEMA dB (A)
CT VFD Range		--		Loaded Torque Curves	
				P1 = INPUT POWER (KW), S = Slip (% of Sync RPM), η = Efficiency (%), cosφ = Power Factor	
Certifications	UL	CSA	DOE		
File Numbers	323353	224693	096A		
Wiring Diagram	3PH 9 Lead Dual Voltage				
3 Phase - YY/Y - 9 Lead 4,1 Blue / 5,2 White / 6,3 Org / 7 Yl / 8 Blk / 9 RD Cast Iron- 1,2,3 Top - 4,5,6,7,8,9 Bottom Aluminum - 4,5,6,8,9 Top - 1,2,3,7 Bottom					
CONNECTIONS 					



Model Number	GR3-RS-OP-143T-2-B-D-1-230 460-60
MFG PN	TXD143T1U2B
List Price	--
Base Frame	GR-143T-RS-OP

FRAME: 143T | HP: | RPM: | PHASE: 3 | VOLT: 208-230V | ENCL: OPEN DRIP | FREQ: 60 Hz | FLA: | LRA:



TECHTOP
 MATERIAL: ALUMINUM
 UNITS: INCH BY: SSEE
 DRAWN: 6/13/2018
 WWW.TECHTOP.COM

MODEL NUMBER:
 GR3-RS-OP-143T-2-B-D-1
 MFG PN:

REV.	BY	DATE
1		
2		
3		
4		
5		
6		
7		

CHANGES